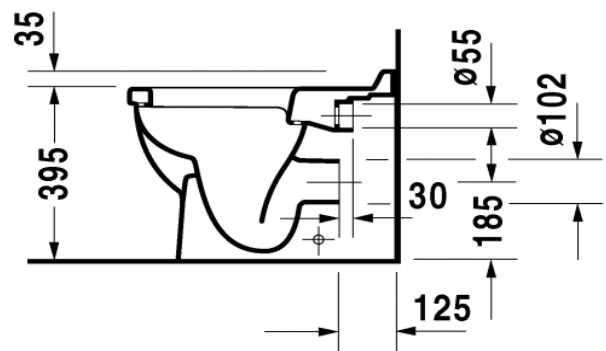
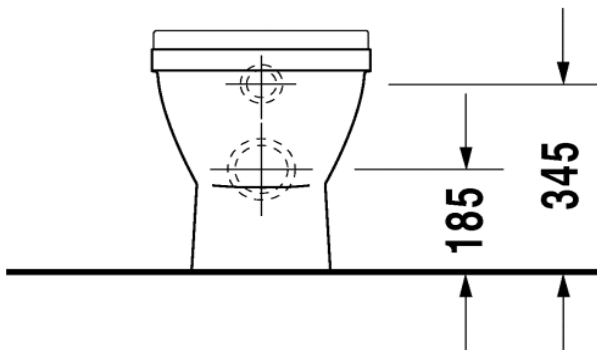
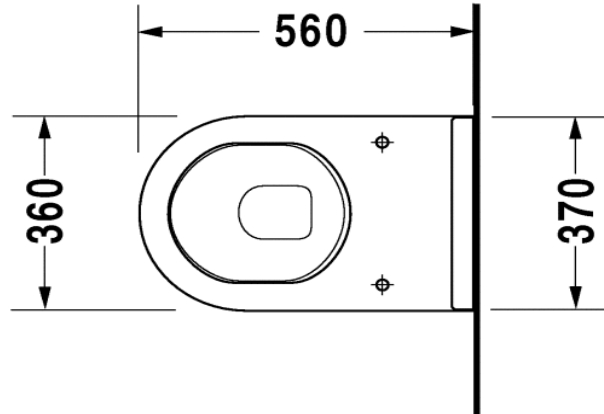


DURAVIT Starck 3

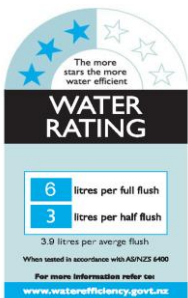
124.09

Back to wall pan for inwall cistern
(Requires soft close seat 063.89)



- 10 year warranty (Vitreous china)
- 2 year warranty on seat
- 1 year warranty working parts & fittings

WELS Rating: 3 Star - 6/3 L



Max. Operating Pressure: 500Kpa.
Min. Operating Pressure: 50Kpa.
Pipework must be flushed before installation
Please install as per manufacturers instructions in the box

Due to our policy of continuous product development, the design and specification shown are subject to change without notice.

Please confirm all particulars with your sales consultant prior to purchase.

t 09 444 5656

e info@metrix.co.nz

www.metrix.co.nz