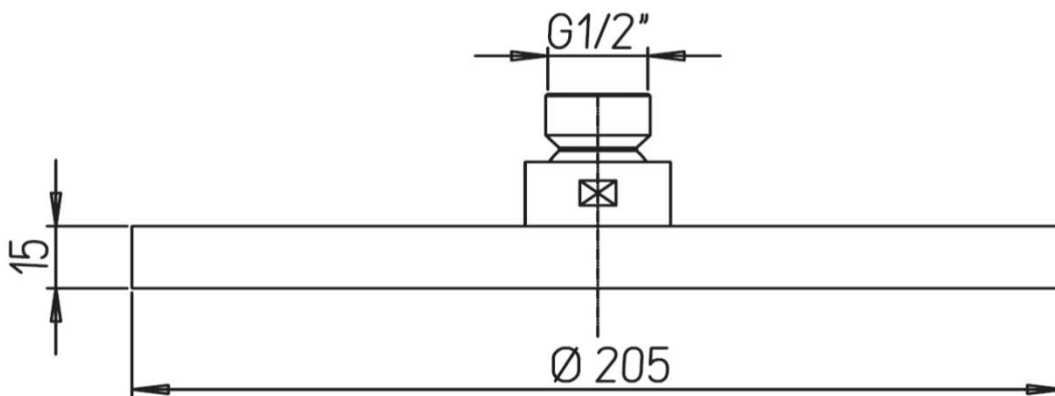


Paini

Paini showerhead ABS round 200mm

Finish: Chrome

50CR759R200



Made in Italy

10 Year Warranty (2 Year Labour Warranty)

2 Year Warranty on Black Finish

WELS Rating: 4 Star - 7.5 L/min



For Equal Pressure only

Max. Operating Pressure: 500Kpa.

Min. Operating Pressure: 150Kpa.

Pipework must be flushed before installation

Please install as per manufacturers instructions in the box

Due to our policy of continuous product development, the design and specification shown are subject to change without notice.

Please confirm all particulars with your sales consultant prior to purchase.

