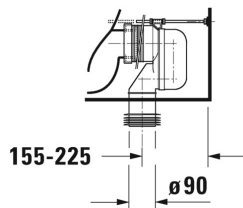
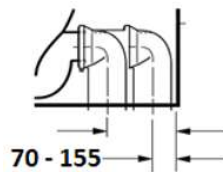
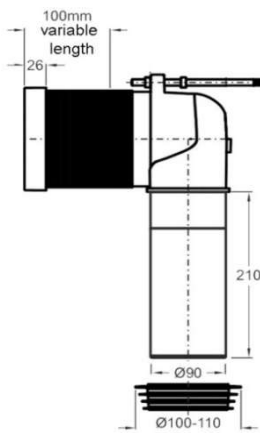
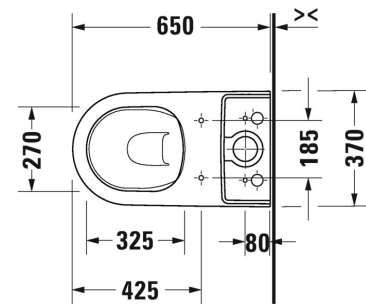
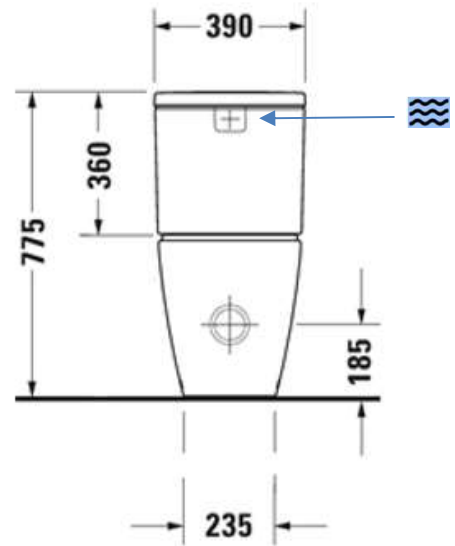


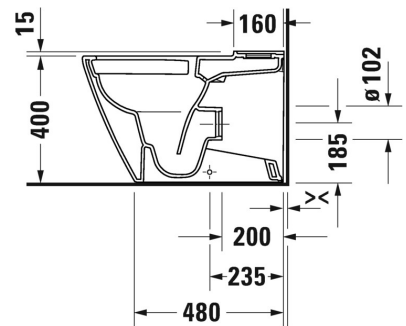
# DURAVIT D-Neo

Duravit D-Neo, back to wall suite and connector, centre back water inlet  
(Requires soft close seat 021.69)

2002.09



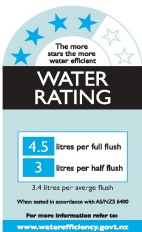
Above connector sold  
Separately, if required



#8990250000

5 Year warranty (Vitreous China)

WELS Rating: 4 Star - 4.5/3 L



Max. Operating Pressure: 500Kpa.

Min. Operating Pressure: 50Kpa.

*Pipework must be flushed before installation*

*Please install as per manufacturers instructions in the box*

Due to our policy of continuous product development, the design and specification shown are subject to change without notice.

Please confirm all particulars with your sales consultant prior to purchase.

