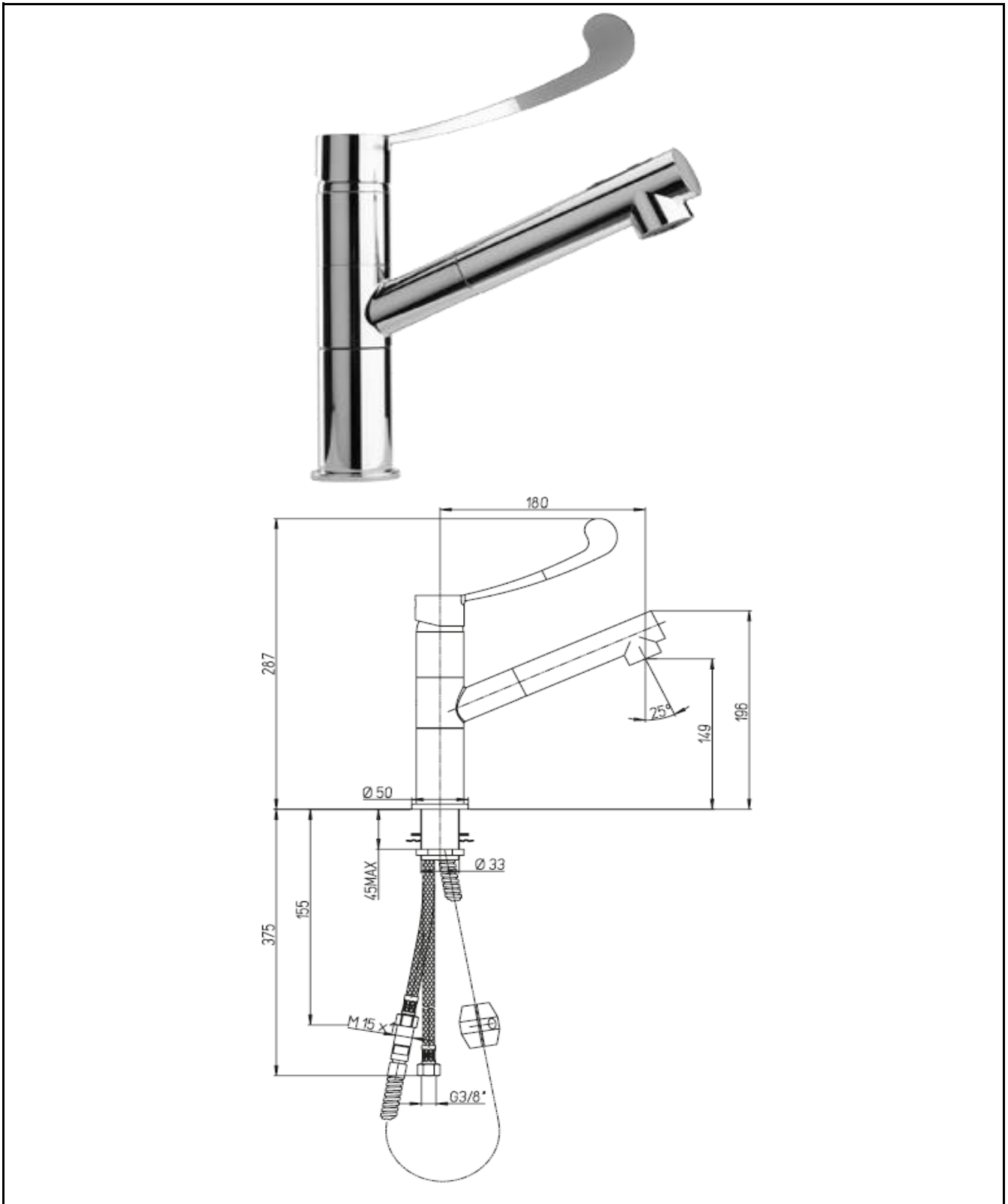


TECHNICAL SCHEDULE



Paini Smart Medical kitchen mixer with pull-out spray and medical lever

Code: SHCR568



Inspirational + European + Bathroomware

t 09 444 5656

e info@metrix.co.nz

www.metrix.co.nz