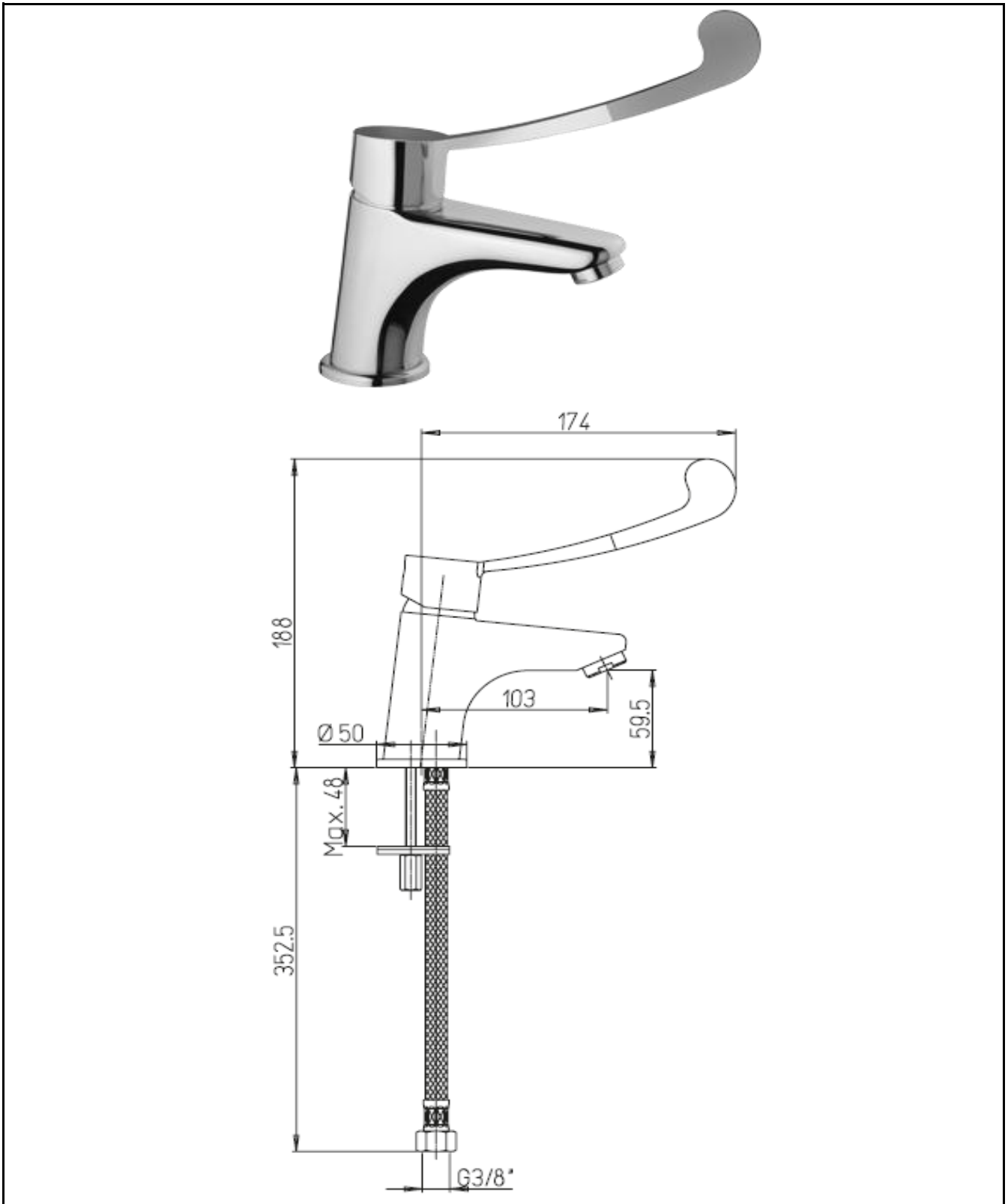


# TECHNICAL SCHEDULE



Paini Smart Medical basin mixer without pop up waste with medical lever

Code: SHCR205



*Inspirational + European + Bathroomware*

t 09 444 5656

e info@metrix.co.nz

www.metrix.co.nz