



Dornbracht specification book 2021 / Kitchen EXPORT

Valid from 01.04.2021



Finishes



	chrome	matt chrome	platinum matt	platinum	brushed Durabrass 23 C Gold	Dark Platinum matt	matt black
Colour Code	-00	-93	-06	-08	-28	-99	-33
Manufacturing process	Electroplating					PVD technique	Powder and wet paint coating
Multiplier (Base: chrom 00) for ○	–	x 1,4	x 1,8	x 1,8	x 2	x 1,8	x 1,55
Elio	●	○ Δ	●	●	●	●	Δ
eno	●	○ Δ	●	●	●	●	Δ
Lot	●	○ Δ	●	●	●	●	Δ
Meta.02	●	○ Δ	●	●	●	●	Δ
Sync	●	○ Δ	●	●	●	●	Δ
Tara.	●	○ Δ	●	●	●	●	Δ
Tara Classic*	●	○ Δ	●	●	●	●	Δ
Tara Ultra*	●	○ Δ	●	●	●	●	Δ
Miscellaneous *	●	○ Δ	●	●	●	●	Δ

Errors and omissions excepted.

All previous overviews shall become ineffective with the publication of this overview.

- standard
- Δ Feasibility check and price in the x-tra Service
- Δ Some items are available as variants, the rest after checking with the x-tra Service
- * Exception: Profi fittings and sprays

Further finishes
and individual
solutions are available
through our
x-TRA SERVICE.
See back cover.

Need a more individual solution? We provide unlimited choices on request. Special designs, made-to-measure, logo and signage, and custom finishes just to name a few. Our x-TRA SERVICE team is here to make your vision into a reality.

specification book 2021 / Kitchen

gross prices – does not include statutory VAT

gross prices – does not include statutory VAT.

Models, programmes and technical modifications as well as errors are excepted.

List of contents

Index	VI - VII
Modifications 2021	VIII
Finishes	IX
Functions	X
Designs	XI
Kitchen sinks	XII
Generic miscellaneous	101 - 108
Concealed articles	109 - 116
General information	117 - 120

Functions



Single-lever mixer
Pull-down
001 - 004



Single-lever mixer
Pull-out
005 - 008



Single-lever mixer
Profi
009 - 012



Pot Filler / Pivot
013 - 014



Rinsing and Profi spray
015 - 018



Water Dispenser /
Bar Tap
019 - 026

Designs



Elio

027 - 032



Sync

055 - 058



eno

033 - 036



Tara.

059 - 066



Lot

037 - 044



Tara Classic

067 - 072



Meta.02

045 - 054



Tara Ultra

073 - 080

Kitchen sinks



Brushed stainless steel
kitchen sinks

081 - 088



Glazed steel
kitchen sinks

097 - 100



Polished stainless steel
kitchen sinks

089 - 096

Index

Art. No.	Page	Art. No.	Page	Art. No.	Page
04		20		32	
04 31 20 067 00-86	105	20 815 882-00	062, 064, 065	32 800 625-00	047, 050, 051
		-06	062, 064, 065	-06	047, 050, 051
10		-08	062, 064, 065	-08	047, 050, 051
10 400 003-85	094	-28	062, 064	-28	047, 050
10 405 003-85	094	-99	062, 064	-99	047, 050
10 410 003-85	094	20 815 892-00	060, 063	32 800 680-00	038, 040, 041
10 415 003-85	094	-06	060, 063	-06	038, 040, 041
10 710 970-00	103	-08	060, 063	-08	038, 040, 041
-06	103	-28	060, 063	-28	038, 040
-08	103	-99	060, 063	-99	038, 040
-28	103	22		32 800 790-00	030, 031, 032
-99	103	22 815 892-00	060	-06	030, 031, 032
10 711 970-00	104	-06	060	-08	030, 031, 032
-06	104	-08	060	-28	030, 031
-08	104	-28	060	-99	030, 031
-28	104	-99	060	32 805 680-00	026, 041
-99	104	27		-06	026, 041
10 712 970-00	104	27 721 970-00	016, 029, 031,	-08	026, 041
-06	104		048, 050, 052,	-28	026, 041
-08	104		063, 064, 071,	-99	026, 041
-28	104		077	32 815 625-00	049, 052, 053
-99	104		016, 029, 031,	-06	049, 052, 053
10 713 970-00	105		048, 050, 052,	-08	049, 052, 053
-06	105		063, 064, 071,	-28	049, 052
-08	105	-06	077	-99	049, 052
-28	105		016, 029, 031,	32 843 680-00	039, 042
-99	105		048, 050, 052,	-06	039, 042
10 714 970-00	105		063, 064, 071,	-08	039, 042
-06	105		077	-28	039, 042
-08	105		016, 029, 031,	-99	039, 042
-28	105		048, 050, 052,		
-99	105		063, 064, 071,	33	
			077	33 800 760-00	036
12			016, 029, 031,	-06	036
12 010 970 90	114		048, 050, 052,	-08	036
12 715 970-00	106	-99	063, 064, 071,	-28	036
-06	106		077	-99	036
-08	106		016, 029, 031,	33 800 790-00	029
-28	106		048, 050, 052,	-06	029
-99	106		063, 064, 071,	-08	029
12 720 970 90	107	27 722 970-00	077	-28	029
12 780 970 90	107	-06	016, 040, 042	-99	029
12 802 970 90	106	-08	016, 040, 042	33 800 875-00	074
12 803 970 90	106	-28	016, 040, 042	-06	074
12 845 970 90	107	-99	016, 040, 042	-08	074
12 869 970 90	111	27 784 970-00	016, 040, 042	-28	074
12 870 970 90	110	-06	017, 041, 042	-99	074
12 880 970 90	110	-08	017, 041, 042	33 800 888-00	068
12 892 970 90	025	27 789 970-00	017, 030, 032,	-06	068
12 896 970 90	025		049, 051, 053,	-08	068
			063, 065, 071,	-28	068
			078	-99	068
			017, 030, 032,	33 805 875-00	026, 078
			049, 051, 053,	-06	026, 078
			063, 065, 071,	-08	026, 078
			078	-28	026, 078
			017, 030, 032,	-99	026, 078
			049, 051, 053,	33 810 625-00	046
			063, 065, 071,	-06	046
			078	-08	046
			017, 030, 032,	-28	046
			049, 051, 053,	-99	046
			063, 065, 071,	33 815 888-00	068
			078	-06	068
			017, 030, 032,	-08	068
			049, 051, 053,	-28	068
			063, 065, 071,	-99	068
			078	33 816 875-00	074
			017, 030, 032,	-06	074
			049, 051, 053,	-08	074
			063, 065, 071,	-28	074
			078	-99	074
			017, 030, 032,	33 818 875-00	075
			049, 051, 053,	-06	075
			063, 065, 071,	-08	075
			078	-28	075
			017, 030, 032,	-99	075
			049, 051, 053,	33 820 625-00	048, 049
			063, 065, 071,	-06	048, 049
			078	-08	048, 049
			017, 030, 032,	-28	048
			049, 051, 053,	-99	048
			063, 065, 071,		
			078		
			017, 030, 032,		
			049, 051, 053,		
			063, 065, 071,		
			078		
			017, 030, 032,		
			049, 051, 053,		
			063, 065, 071,		
			078		
			017, 030, 032,		
			049, 051, 053,		
			063, 065, 071,		
			078		
			017, 030, 032,		
			049, 051, 053,		
			063, 065, 071,		
			078		
			017, 030, 032,		
			049, 051, 053,		
			063, 065, 071,		
			078		
			017, 030, 032,		
			049, 051, 053,		
			063, 065, 071,		
			078		
			017, 030, 032,		
			049, 051, 053,		
			063, 065, 071,		
			078		
			017, 030, 032,		
			049, 051, 053,		
			063, 065, 071,		
			078		
			017, 030, 032,		
			049, 051, 053,		
			063, 065, 071,		
			078		
			017, 030, 032,		
			049, 051, 053,		
			063, 065, 071,		
			078		
			017, 030, 032,		
			049, 051, 053,		
			063, 065, 071,		
			078		
			017, 030, 032,		
			049, 051, 053,		
			063, 065, 071,		
			078		
			017, 030, 032,		
			049, 051, 053,		
			063, 065, 071,		
			078		
			017, 030, 032,		
			049, 051, 053,		
			063, 065, 071,		
			078		
			017, 030, 032,		
			049, 051, 053,		
			063, 065, 071,		
			078		
			017, 030, 032,		
			049, 051, 053,		
			063, 065, 071,		
			078		
			017, 030, 032,		
			049, 051, 053,		
			063, 065, 071,		
			078		
			017, 030, 032,		
			049, 051, 053,		
			063, 065, 071,		
			078		
			017, 030, 032,		
			049, 051, 053,		
			063, 065, 071,		
			078		
			017, 030, 032,		
			049, 051, 053,		
			063, 065, 071,		
			078		
			017, 030, 032,		
			049, 051, 053,		
			063, 065, 071,		
			078		
			017, 030, 032,		
			049, 051, 053,		
			063, 065, 071,		
			078		
			017, 030, 032,		
			049, 051, 053,		
			063, 065, 071,		
			078		
			017, 030, 032,		
			049, 051, 053,		
			063, 065, 071,		
			078		
			017, 030, 032,		
			049, 051, 053,		
			063, 065, 071,		
			078		
			017, 030, 032,		
			049, 051, 053,		
			063, 065, 071,		
			078		
			017, 030, 032,		
			049, 051, 053,		
			063, 065, 071,		
			078		
			017, 030, 032,		
			049, 051, 053,		
			063, 065, 071,		
			078		
			017, 030, 032,		
			049, 051, 053,		
			063, 065, 071,		
			078		
			017, 030, 032,		
			049, 051, 053,		
			063, 065, 071,		
			078		
			017, 030, 032,		
			049, 051, 053,		
			063, 065, 071,		
			078		
			017, 030, 032,		
			049, 051, 053,		
			063, 065, 071,		
			078		
			017, 030, 032,		
			049, 051, 053,		
			063, 065, 071,		
			078		
			017, 030, 032,		

Art. No.	Page	Art. No.	Page	Art. No.	Page
33 826 790-00	029, 030	35		38 500 002-78	099
-06	029, 030	35 087 970 90	110	38 500 003-85	092
-08	029, 030	35 707 970 90	112	38 501 003-85	092
-28	029	35 712 970 90	113	38 531 000-86	082
-99	029	35 713 970 90	112	38 541 000-86	082
33 826 875-00	077, 078	35 714 970 90	113	38 550 002-62	099
-06	077, 078	35 816 970 90	111	38 550 002-71	099
-08	077, 078	35 860 970 90	110	38 550 002-72	099
-28	077			38 550 002-73	099
-99	077			38 550 002-76	099
33 826 888-00	071	36		38 550 002-78	099
-06	071	36 818 892-00	064	38 550 003-85	093
-08	071	-06	064	38 551 003-85	093
-28	071	-08	064	38 561 000-86	083
-99	071	-28	064	38 571 000-86	083
33 840 760-00	007, 035	-99	064	38 650 003-85	093
-06	007, 035	36 819 892-00	065		
-08	007, 035	-06	065	39	
-28	007, 035	-08	065	39 708 970 90	114
-99	007, 035	-28	065	39 807 970 90	114
33 840 790-00	008, 028	-99	065		
-06	008, 028	36 860 680-00	043	82	
-08	008, 028	-06	043	82 424 970-00	103
-28	008, 028	-08	043	-06	103
-99	008, 028	-28	043	-08	103
33 845 760-00	006, 034	-99	043	-28	103
-06	006, 034	36 880 625-00	052	-99	103
-08	006, 034	-06	052	82 434 970-00	102
-28	006, 034	-08	052	-06	102
-99	006, 034	-28	052	-08	102
33 845 875-00	014, 079	-99	052	-28	102
-06	014, 079	36 881 625-00	052	-99	102
-08	014, 079	-06	052	82 439 970-00	102
-28	014, 079	-08	052	-06	102
-99	014, 079	-28	052	-08	102
33 860 875-00	010, 079	-99	052	-28	102
-06	010, 079	36 882 625-00	053	-99	102
-08	010, 079	-06	053		
33 865 895-00	010, 057	-08	053	84	
-06	010, 057	-28	053	84 700 000-13	088
-08	010, 057	-99	053	84 700 000-48	088
-28	010, 057			84 700 001-10	095
-99	010, 057	38		84 700 001-81	096
33 870 760-00	007, 035	38 000 000-86	084	84 710 000-13	106
-06	007, 035	38 001 000-86	020, 021, 022,	84 711 001-86	096
-08	007, 035		023, 024, 032,	84 750 000-13	088
-28	007, 035		042, 051, 070,	84 751 000-13	088
-99	007, 035		077, 084	84 800 001-85	095
33 870 790-00	008, 028	38 040 000-86	084	84 801 001-85	095
-06	008, 028	38 041 000-86	084		
-08	008, 028	38 060 000-86	085	90	
-28	008, 028	38 061 000-86	085	90 23 01 026 03-00	014, 080
-99	008, 028	38 080 000-86	085	-06	014, 080
33 870 875-00	003, 078	38 081 000-86	085	-08	014, 080
-06	003, 078	38 090 000-86	086	-28	014, 080
-08	003, 078	38 091 000-86	086	-99	014, 080
-28	003, 078	38 100 000-86	086		
-99	003, 078	38 101 000-86	086		
33 870 895-00	002, 056	38 111 000-86	087		
-06	002, 056	38 180 003-85	090		
-08	002, 056	38 340 003-85	090		
-28	002, 056	38 400 002-62	098		
-99	002, 056	38 400 002-71	098		
33 875 760-00	006, 034	38 400 002-72	098		
-06	006, 034	38 400 002-73	098		
-08	006, 034	38 400 002-76	098		
-28	006, 034	38 400 002-78	098		
-99	006, 034	38 400 003-85	091		
33 875 895-00	002, 056	38 450 002-62	098		
-06	002, 056	38 450 002-71	098		
-08	002, 056	38 450 002-72	098		
-28	002, 056	38 450 002-73	098		
-99	002, 056	38 450 002-76	098		
33 880 888-00	011, 071	38 450 002-78	098		
-06	011, 071	38 450 003-85	091		
-08	011, 071	38 500 002-62	099		
33 880 889-00	011, 071	38 500 002-71	099		
-06	011, 071	38 500 002-72	099		
-08	011, 071	38 500 002-73	099		
		38 500 002-76	099		

Modifications 2021

Supplements

Extension set

Some of our kitchen fittings come with an extension set for installation on worktops >45mm.

The set can be selected as an option subject to the thickness of the worktop (see generic miscellaneous).

Other fittings are also available that have been optimised for installation on worktops with a material thickness >45mm (no extension set required).

Discontinuations

DARK BRASS MATT and DARK BRONZE MATT

The DARK BRASS MATT (-16) and DARK BRONZE MATT (-17) finishes are discontinued.

DORNBRACHT CARE

Cleaning agents and cloths are discontinued.

Detailed product information, appropriate files, dimensioned drawings and 3D objects can be found online at www.dornbracht.com.

Also go to www.dornbracht.com/care for information on cleaning, caring for and maintaining your product.

Descriptions of the finishes

Dornbracht products are designed to retain their special aesthetic quality and reliability over many years. This is why we attach great importance to maintaining a high standard of quality throughout the production process. This starts with selecting the right raw materials. Then the pieces are formed and polished. After numerous further stages and strict quality controls, the fittings are given their exquisite finishes in the electroplating shop. They then undergo a further check and are carefully packed, so that our exclusive, hand-made products can be safely transported.

The finishes listed below are available as a **standard finish for the entire kitchen assortment**.

Finish	Description	Production
Chrome -00 Chrome matt -93	A timeless, classic, high-gloss or matt finish that is cool in character.	<ol style="list-style-type: none"> 1. Basic material: brass / ABS (plastic) / die-cast zinc 2.1 Surface work: rough grinding and regrinding, polishing, superfine polishing 2.2 Surface work: rough grinding and regrinding, polishing, matt finishing 3. Preparatory treatment: cleaning 4.1 First plated coating: shiny nickel 4.2 First plated coating: matt nickel 5. Second plated coating: chrome
Platinum matt -06	A warm tone, with an elegant, matt finish	<ol style="list-style-type: none"> 1. Basic material: brass / ABS (plastic) / die-cast zinc 2. Surface work: rough grinding and regrinding, polishing, superfine polishing 3. Surface work: matt finishing 4. Preparatory treatment: cleaning 5. First plated coating: matt nickel 6. Second plated coating: palladium nickel
Platinum -08	A timeless, classic high-gloss or matt finish with a warm undertone.	<ol style="list-style-type: none"> 1. Basic material: brass / ABS (plastic) / die-cast zinc 2. Surface work: rough grinding and regrinding, polishing, superfine polishing 3. Preparatory treatment: cleaning 4. First plated coating: shiny nickel 5. Second plated coating: palladium nickel
brushed Durabronz -28	A warm, modern, golden colour in a matt finish.	<ol style="list-style-type: none"> 1. Basic material: brass / ABS (plastic) / die-cast zinc 2. Surface work: rough grinding and regrinding, polishing, superfine polishing 3. Surface work: matt finishing 4. Preparatory treatment: cleaning 5. First plated coating: matt nickel 6. Second plated coating: palladium nickel (only when the basic material is ABS/die-cast zinc) 7. Third plated coating: gold
Dark Platinum matt -99	A finely brushed, dark, silk matt colour that radiates warmth and originality	<ol style="list-style-type: none"> 1. Base material (brass) 2. Surface work: rough grinding and regrinding, polishing, matt finishing 3. Preparatory treatment: cleaning, ultrasonic cleaning 4. First plated coating: matt nickel 5. Second plated coating: polished chrome 6. Sealing PVD coat
schwarz matt -33	An elegant matt finish with a subtle, neutral tone.	<ol style="list-style-type: none"> 1. Basic material: brass / ABS (plastic) / die-cast zinc 2. Surface work: rough grinding and regrinding, polishing, matt finishing 3. Sealing Powder coating or wet paint coating

Additional finishes can be implemented on request, once the possibilities of production have been investigated in the x-tra Service. Please ask your Dornbracht contact for more information.



Dornbracht applies know-how from the professional kitchen to the private domain. The result is fittings that provide specific and efficient support for the different processes in the kitchen. Functions range from pull-down and pull-out fittings, to a pivoting 360° fitting for the cooking island, to rinsing and Profi sprays, to water dispensers for filtered drinking water at the touch of a button.

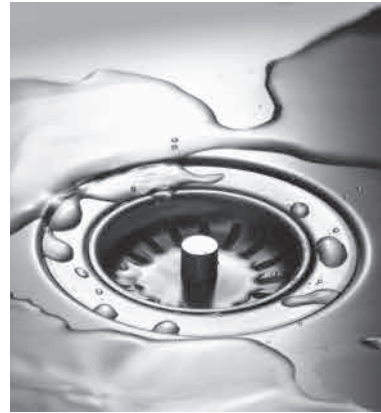
Which functions are available for which series can be found in the following table:

	Pull-out	Pull-down	Profi	Pivot / PotFiller	Rinsing and Profi spray	Water Dispenser
Elio	●				●	●
eno	●					
Lot					●	●
Meta.02					●	●
Sync		●	●			
Tara.					●	
Tara Classic			●		●	●
Tara Ultra		●	●	●	●	●

● standard



Dornbracht fittings are the sculptural heart of every kitchen. They epitomise perfect workmanship and quality "made in Germany", as well as top-class, stunning design with personality. Their aesthetic quality is based on the universal design principles that characterise the entire Dornbracht product portfolio. With Dornbracht, you can always be sure that your chosen kitchen furnishing will be as enduring as it is timeless. The variety of the different design series ensures that you have a broad spectrum of creative options at your disposal.



An elegant shine, precise edges and exact radii: the high-quality workmanship of Dornbracht's kitchen sinks is reflected in their perfection and love of detail. Be inspired to be creative by a wealth of different versions and colour variants – from stainless steel sinks to glazed steel kitchen sinks. Dornbracht's kitchen sinks fit into any style collection and round off the water point in the kitchen.

The overview below outlines which sinks are suitable for certain base unit dimensions:

Product range by base unit dimensions		Under-mounted										Installed, on top or flush									
		350 mm	400 mm	450 mm	500 mm	550 mm	600 mm	800 mm	900 mm	1000 mm	1200 mm	350 mm	400 mm	450 mm	500 mm	550 mm	600 mm	800 mm	900 mm	1000 mm	1200 mm
Stainless steel	polished	●	●	●	●	●	●	●							●	●					
	brushed				●	●	●	●	●											●	●
Glazed steel	matt black			●	●	●	●														
	high-gloss black			●	●	●	●														
	matt white			●	●	●	●														
	high-gloss white			●	●	●	●														
	matt sand			●	●	●	●														
	high-gloss sand			●	●	●	●														

● standard

Single-lever mixer Pull-down

Sieger Design



The pull-down single-lever mixer features a functional element that can be extended downward. At the touch of a button, it changes from a gentle laminar flow with minimal splashing to a powerful spray jet.

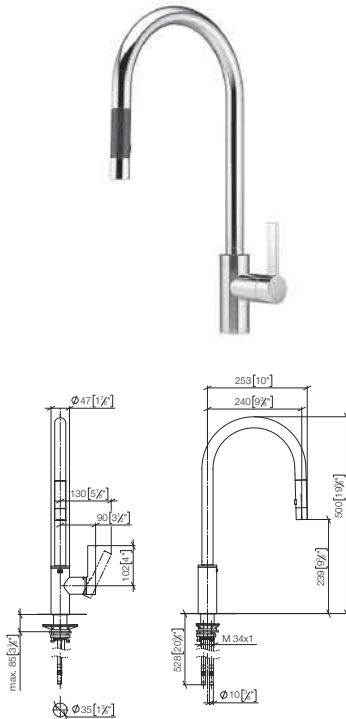
Detailed product information, appropriate files, dimensioned drawings and 3D objects can be found online at www.dornbracht.com.

Single-lever mixer Pull-down with spray function

- 240 mm projection
- pivotable spout 360°
- optional limiting, pivoting 110°
- laminar and spray flow
- 1800 mm metal shower hose
- sprayface with anti-scaling system
- max. flow 10.4 l/min at 3 bar flow pressure
- lead-free

Intrinsic protection against back flow.

polished chrome	33 870 875-00
platinum matt	33 870 875-06
platinum	33 870 875-08
brushed Durabrass	33 870 875-28
Dark Platinum matt	33 870 875-99



Recommended miscellaneous

Dispenser without rosette

For details and miscellaneous, see page 103

polished chrome	82 424 970-00
platinum matt	82 424 970-06
platinum	82 424 970-08
brushed Durabrass	82 424 970-28
Dark Platinum matt	82 424 970-99



Recommended miscellaneous

Strainer waste with control handle

For details and miscellaneous, see page 104

polished chrome	10 712 970-00
platinum matt	10 712 970-06
platinum	10 712 970-08
brushed Durabrass	10 712 970-28
Dark Platinum matt	10 712 970-99

Single-lever mixer Pull-out

Sieger Design



The pull-out single-lever mixer features a functional element that can be extended forwards and can be ordered with an extending spout or extending spray, as required.

Detailed product information, appropriate files, dimensioned drawings and 3D objects can be found online at www.dornbracht.com.

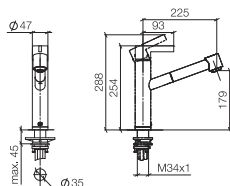
Single-lever mixer Pull-out Sieger Design

33 875 760

eno **Single-lever mixer Pull-out with spray function**

- 225 mm projection
- pivotable spout 130°
- air-enriched flow and spray flow
- 1600mm metal shower hose
- max. flow 9.6 l/min at 3 bar flow pressure
- lead-free

Intrinsic protection against back flow.



polished chrome	33 875 760-00
platinum matt	33 875 760-06
platinum	33 875 760-08
brushed Durabron	33 875 760-28
Dark Platinum matt	33 875 760-99



Recommended miscellaneous

Dispenser without rosette

For details and miscellaneous, see page 103

polished chrome	82 424 970-00
platinum matt	82 424 970-06
platinum	82 424 970-08
brushed Durabron	82 424 970-28
Dark Platinum matt	82 424 970-99



Recommended miscellaneous

Strainer waste with control handle

For details and miscellaneous, see page 104

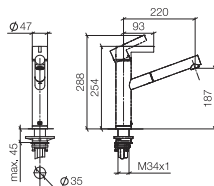
polished chrome	10 712 970-00
platinum matt	10 712 970-06
platinum	10 712 970-08
brushed Durabron	10 712 970-28
Dark Platinum matt	10 712 970-99

33 845 760

eno **Single-lever mixer Pull-out**

- 220 mm projection
- pivotable spout 130°
- air-enriched flow
- 1600mm metal shower hose
- max. flow 10 l/min at 3 bar flow pressure
- lead-free

Intrinsic protection against back flow.



polished chrome	33 845 760-00
platinum matt	33 845 760-06
platinum	33 845 760-08
brushed Durabron	33 845 760-28
Dark Platinum matt	33 845 760-99



Recommended miscellaneous

Dispenser without rosette

For details and miscellaneous, see page 103

polished chrome	82 424 970-00
platinum matt	82 424 970-06
platinum	82 424 970-08
brushed Durabron	82 424 970-28
Dark Platinum matt	82 424 970-99



Recommended miscellaneous

Strainer waste with control handle

For details and miscellaneous, see page 104

polished chrome	10 712 970-00
platinum matt	10 712 970-06
platinum	10 712 970-08
brushed Durabron	10 712 970-28
Dark Platinum matt	10 712 970-99

33 870 760

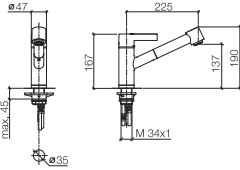


eno **Single-lever mixer Pull-out with spray function**

- 225 mm projection
- pivotable spout 130°
- air-enriched flow and spray flow
- fabric braided hose 1500 mm
- max. flow 8.3 l/min at 3 bar flow pressure
- lead-free

Intrinsic protection against back flow.

polished chrome	33 870 760-00
platinum matt	33 870 760-06
platinum	33 870 760-08
brushed Durabronz	33 870 760-28
Dark Platinum matt	33 870 760-99



Recommended miscellaneous

Dispenser without rosette

For details and miscellaneous, see page 103

polished chrome	82 424 970-00
platinum matt	82 424 970-06
platinum	82 424 970-08
brushed Durabronz	82 424 970-28
Dark Platinum matt	82 424 970-99



Recommended miscellaneous

Strainer waste with control handle

For details and miscellaneous, see page 104

polished chrome	10 712 970-00
platinum matt	10 712 970-06
platinum	10 712 970-08
brushed Durabronz	10 712 970-28
Dark Platinum matt	10 712 970-99

33 840 760

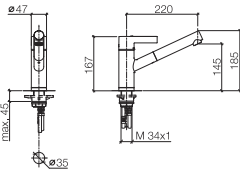


eno **Single-lever mixer Pull-out**

- 220 mm projection
- pivotable spout 130°
- air-enriched flow
- fabric braided hose 1500 mm
- max. flow 8 l/min at 3 bar flow pressure
- lead-free

Intrinsic protection against back flow.

polished chrome	33 840 760-00
platinum matt	33 840 760-06
platinum	33 840 760-08
brushed Durabronz	33 840 760-28
Dark Platinum matt	33 840 760-99



Recommended miscellaneous

Dispenser without rosette

For details and miscellaneous, see page 103

polished chrome	82 424 970-00
platinum matt	82 424 970-06
platinum	82 424 970-08
brushed Durabronz	82 424 970-28
Dark Platinum matt	82 424 970-99



Recommended miscellaneous

Strainer waste with control handle

For details and miscellaneous, see page 104

polished chrome	10 712 970-00
platinum matt	10 712 970-06
platinum	10 712 970-08
brushed Durabronz	10 712 970-28
Dark Platinum matt	10 712 970-99

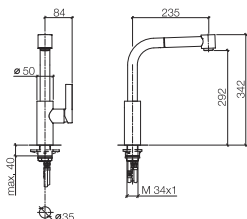
Single-lever mixer Pull-out Sieger Design

33 870 790

Elio **Single-lever mixer Pull-out with spray function**

- 235 mm projection
- pivotable spout 360°
- air-enriched flow and spray flow
- fabric braided hose 1500 mm
- max. flow 8 l/min at 3 bar flow pressure
- lead-free

Intrinsic protection against back flow.



Recommended miscellaneous

Dispenser without rosette

For details and miscellaneous, see page 103

polished chrome	33 870 790-00
platinum matt	33 870 790-06
platinum	33 870 790-08
brushed Durabross	33 870 790-28
Dark Platinum matt	33 870 790-99

polished chrome	82 424 970-00
platinum matt	82 424 970-06
platinum	82 424 970-08
brushed Durabross	82 424 970-28
Dark Platinum matt	82 424 970-99



Recommended miscellaneous

Strainer waste with control handle

For details and miscellaneous, see page 104

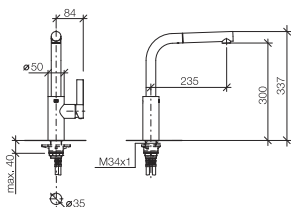
polished chrome	10 712 970-00
platinum matt	10 712 970-06
platinum	10 712 970-08
brushed Durabross	10 712 970-28
Dark Platinum matt	10 712 970-99

33 840 790

Elio **Single-lever mixer Pull-out**

- 235 mm projection
- pivotable spout 360°
- air-enriched flow
- fabric braided hose 1500 mm
- max. flow 8.8 l/min at 3 bar flow pressure
- lead-free

Intrinsic protection against back flow.



Recommended miscellaneous

Dispenser without rosette

For details and miscellaneous, see page 103

polished chrome	33 840 790-00
platinum matt	33 840 790-06
platinum	33 840 790-08
brushed Durabross	33 840 790-28
Dark Platinum matt	33 840 790-99

polished chrome	82 424 970-00
platinum matt	82 424 970-06
platinum	82 424 970-08
brushed Durabross	82 424 970-28
Dark Platinum matt	82 424 970-99



Recommended miscellaneous

Strainer waste with control handle

For details and miscellaneous, see page 104

polished chrome	10 712 970-00
platinum matt	10 712 970-06
platinum	10 712 970-08
brushed Durabross	10 712 970-28
Dark Platinum matt	10 712 970-99

Single-lever mixer Profi

Sieger Design



Profi fittings combine comfort and professionalism: pivoting Profi single-lever mixers increase the radius of action around the fitting, offering considerable variety of movement and design. Continually change between the two modes – air-enriched or spray flow – at any time, simply by adjusting the Profi spray.

Detailed product information, appropriate files, dimensioned drawings and 3D objects can be found online at www.dornbracht.com.

Single-lever mixer Profi Sieger Design

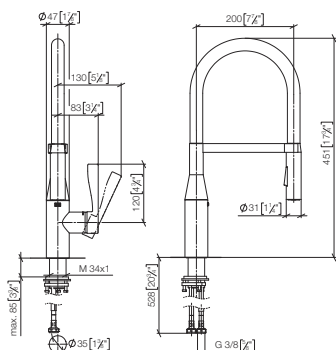
33 865 895

Sync

Profi single-lever mixer

- 200 mm projection
- Flexible silicone hose with large operating range of up to 350 mm
- pivotable 360°
- optional limiting, pivoting 110°
- air-enriched flow and spray flow
- sprayface with anti-scaling system
- max. flow 9.5 l/min at 3 bar flow pressure
- lead-free

Intrinsic protection against back flow.



polished chrome	33 865 895-00
platinum matt	33 865 895-06
platinum	33 865 895-08
brushed Durabronz	33 865 895-28
Dark Platinum matt	33 865 895-99



Recommended miscellaneous

Dispenser without rosette

For details and miscellaneous, see page 103

polished chrome	82 424 970-00
platinum matt	82 424 970-06
platinum	82 424 970-08
brushed Durabronz	82 424 970-28
Dark Platinum matt	82 424 970-99



Recommended miscellaneous

Strainer waste with control handle

For details and miscellaneous, see page 104

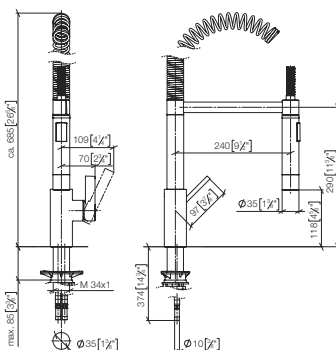
polished chrome	10 712 970-00
platinum matt	10 712 970-06
platinum	10 712 970-08
brushed Durabronz	10 712 970-28
Dark Platinum matt	10 712 970-99

33 860 875

Tara Ultra

Profi single-lever mixer

- 240 mm projection
- pivotable 360°
- air-enriched flow and spray flow
- sprayface with anti-scaling system
- max. flow 8 l/min at 3 bar flow pressure
- lead-free



polished chrome	33 860 875-00
platinum matt	33 860 875-06
platinum	33 860 875-08



Recommended miscellaneous

Dispenser without rosette

For details and miscellaneous, see page 103

polished chrome	82 424 970-00
platinum matt	82 424 970-06
platinum	82 424 970-08



Recommended miscellaneous

Strainer waste with control handle

For details and miscellaneous, see page 104

polished chrome	10 712 970-00
platinum matt	10 712 970-06
platinum	10 712 970-08

33 880 888

Tara Classic

Profi single-lever mixer

- 200 mm projection
- pivotable spout 360°
- air-enriched flow and spray flow
- sprayface with anti-scaling system
- max. flow 7 l/min at 3 bar flow pressure
- lead-free

Intrinsic protection against back flow.



polished chrome	33 880 888-00
platinum matt	33 880 888-06
platinum	33 880 888-08



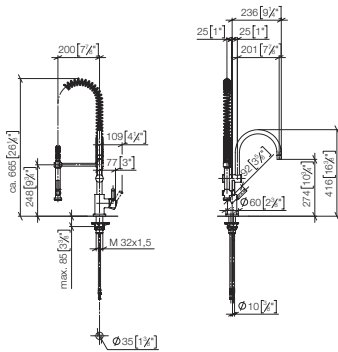
Recommended miscellaneous

Dispenser with rosette	polished chrome	82 434 970-00
For details and miscellaneous, see page 102	platinum matt	82 434 970-06
	platinum	82 434 970-08



Recommended miscellaneous

Strainer waste with control handle	polished chrome	10 710 970-00
For details and miscellaneous, see page 103	platinum matt	10 710 970-06
	platinum	10 710 970-08



33 880 889

Tara Classic

Profi single-lever mixer with lever on left

- 200 mm projection
- pivotable spout 360°
- air-enriched flow and spray flow
- sprayface with anti-scaling system
- max. flow 7 l/min at 3 bar flow pressure
- lead-free

Intrinsic protection against back flow.



polished chrome	33 880 889-00
platinum matt	33 880 889-06
platinum	33 880 889-08



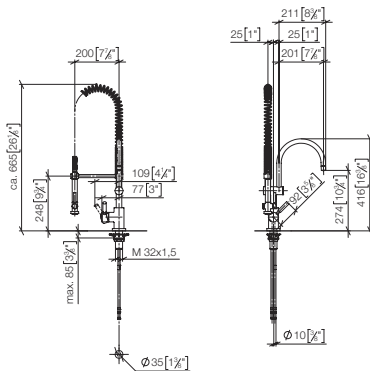
Recommended miscellaneous

Dispenser with rosette	polished chrome	82 434 970-00
For details and miscellaneous, see page 102	platinum matt	82 434 970-06
	platinum	82 434 970-08



Recommended miscellaneous

Strainer waste with control handle	polished chrome	10 710 970-00
For details and miscellaneous, see page 103	platinum matt	10 710 970-06
	platinum	10 710 970-08



Pot Filler / Pivot

Sieger Design



PIVOT and POT FILLER allow pans and containers to be filled right next to the hob. They act as an extended arm in the kitchen, helping you work comfortably and precisely.

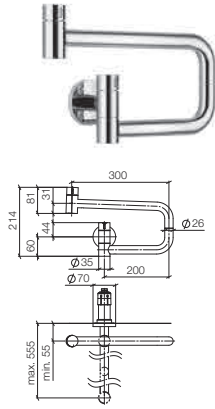
Detailed product information, appropriate files, dimensioned drawings and 3D objects can be found online at www.dornbracht.com.

30 805 875

Tara Ultra

POT FILLER Cold-water valve

- 500 mm projection
- pivoting spout
- laminar flow
- max. flow 5.7 l/min at 3 bar flow pressure
- lead-free



polished chrome	30 805 875-00
platinum matt	30 805 875-06
platinum	30 805 875-08
brushed Durabronz	30 805 875-28
Dark Platinum matt	30 805 875-99



Required miscellaneous

POT FILLER Concealed wall elbow

- min. recess depth 80 mm
- max. recess depth 125 mm

For details and miscellaneous, see page 110

Concealed rough parts	35 087 970 90
-----------------------	---------------



Recommended miscellaneous

Aerator laminar with slit M24x1

- to increase flow rate to 11 l/min at 3 bar flow pressure

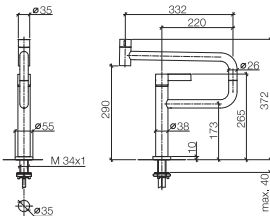
polished chrome	90 23 01 026 03-00
platinum matt	90 23 01 026 03-06
platinum	90 23 01 026 03-08
brushed Durabronz	90 23 01 026 03-28
Dark Platinum matt	90 23 01 026 03-99

33 845 875

Tara Ultra

PIVOT Single-lever mixer

- 552 mm projection
- pivotable spout 360°
- air-enriched flow
- max. flow 8 l/min at 3 bar flow pressure
- lead-free



polished chrome	33 845 875-00
platinum matt	33 845 875-06
platinum	33 845 875-08
brushed Durabronz	33 845 875-28
Dark Platinum matt	33 845 875-99



Recommended miscellaneous

Dispenser with rosette

For details and miscellaneous, see page 102

polished chrome	82 434 970-00
platinum matt	82 434 970-06
platinum	82 434 970-08
brushed Durabronz	82 434 970-28
Dark Platinum matt	82 434 970-99



Recommended miscellaneous

Strainer waste with control handle

For details and miscellaneous, see page 103

polished chrome	10 710 970-00
platinum matt	10 710 970-06
platinum	10 710 970-08
brushed Durabronz	10 710 970-28
Dark Platinum matt	10 710 970-99

Rinsing and Profi spray

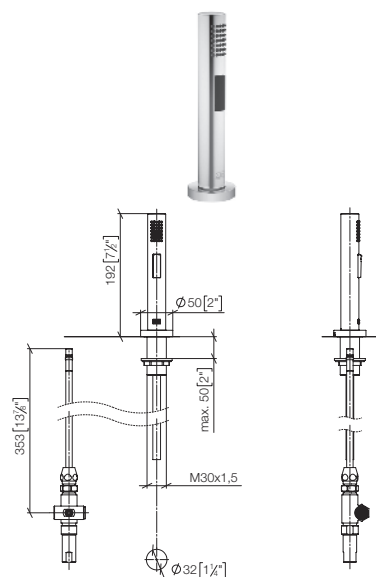
Sieger Design



Adaptable, thorough and precise: the rinsing and Profi spray set helps with everyday chores at the most important workplace in the kitchen – the water point. The powerful spray flow is ideal for washing vegetables, fruit and meat. A meeting of discerning design and professional functionality. The sprays can be installed anywhere in the kitchen workspace and their neutral style makes them compatible with all the Dornbracht design series. This means additional functions in an extensive variety of combinations.

Detailed product information, appropriate files, dimensioned drawings and 3D objects can be found online at www.dornbracht.com.

27 721 970



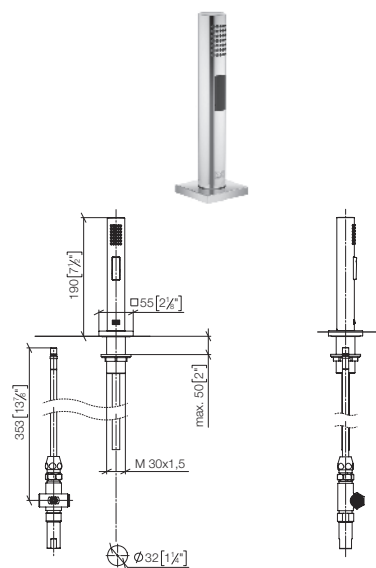
Rinsing spray set

- with round rosette
- spray flow
- automatic spout/shower diverter
- fabric braided hose 1500 mm
- sprayface with anti-scaling system
- lead-free

for combination with fittings in the TARA ULTRA, TARA CLASSIC, TARA, ELIO and META.02 series
Intrinsic protection against back flow.

polished chrome	27 721 970-00
platinum matt	27 721 970-06
platinum	27 721 970-08
brushed Durabronz	27 721 970-28
Dark Platinum matt	27 721 970-99

27 722 970



Rinsing spray set

- with angular rosette
- spray flow
- automatic spout/shower diverter
- fabric braided hose 1500 mm
- sprayface with anti-scaling system
- lead-free

for combination with fittings in the LOT series
Intrinsic protection against back flow.

polished chrome	27 722 970-00
platinum matt	27 722 970-06
platinum	27 722 970-08
brushed Durabronz	27 722 970-28
Dark Platinum matt	27 722 970-99

27 789 970



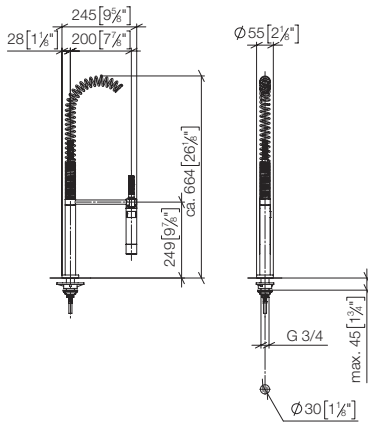
Profi spray set

- spray flow
- automatic diverter for spout/Profi spray set
- sprayface with anti-scaling system
- lead-free

for combination with fittings in the TARA ULTRA, TARA CLASSIC, TARA, ELIO and META.02 series

Intrinsic protection against back flow.

polished chrome	27 789 970-00
platinum matt	27 789 970-06
platinum	27 789 970-08



27 784 970



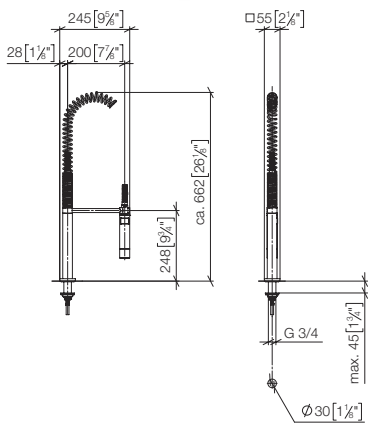
Profi spray set

- spray flow
- automatic diverter for spout/Profi spray set
- sprayface with anti-scaling system
- lead-free

for combination with fittings in the LOT series

Intrinsic protection against back flow.

polished chrome	27 784 970-00
platinum matt	27 784 970-06
platinum	27 784 970-08



Water Dispenser / Bar Tap

Sieger Design



WATER DISPENSERS supply filtered, cold or boiling hot water, combining sensible, practical functions with extreme ease of use in the design language of the TARA ULTRA, ELIO, TARA CLASSIC, META 02 and LOT series.

Detailed product information, appropriate files, dimensioned drawings and 3D objects can be found online at www.dornbracht.com.

17 861 790

Elio **HOT & COLD WATER DISPENSER**



- 142 mm projection
- rigid, thermally insulated spout
- laminar flow
- provides filtered, hot water up to 93°C
- provides filtered, cold water
- max. flow 2 l/min at 3 bar flow pressure
- ready-to-use control unit for wall mounting (135mm x 160mm x 60mm)
- electronic magnetic valve
- 100-230 V, 50-60 Hz, 18 W power supply unit, incl. country-specific adapter set
- lead-free

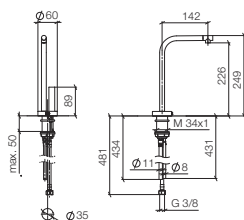
A minimum flow pressure of 3 bar is necessary for the HOT & COLD WATER DISPENSER to work perfectly in conjunction with a hot water tank and filter.

In addition, the installation must be above a kitchen sink.

The filter cartridge must be changed every six months. The installation instructions contain further information for guidance.

Detailed planning information and technical data can be found at www.dornbracht.com/professional

polished chrome	17 861 790-00
platinum matt	17 861 790-06
platinum	17 861 790-08
brushed Durabronz	17 861 790-28
Dark Platinum matt	17 861 790-99



Required miscellaneous

Hot water tank incl. filter

12 892 970 90

For details and miscellaneous, see page 025



Recommended miscellaneous

Single sink

matt high-grade steel

38 001 000-86

- 210 x 405 mm
- installation, on top or flush



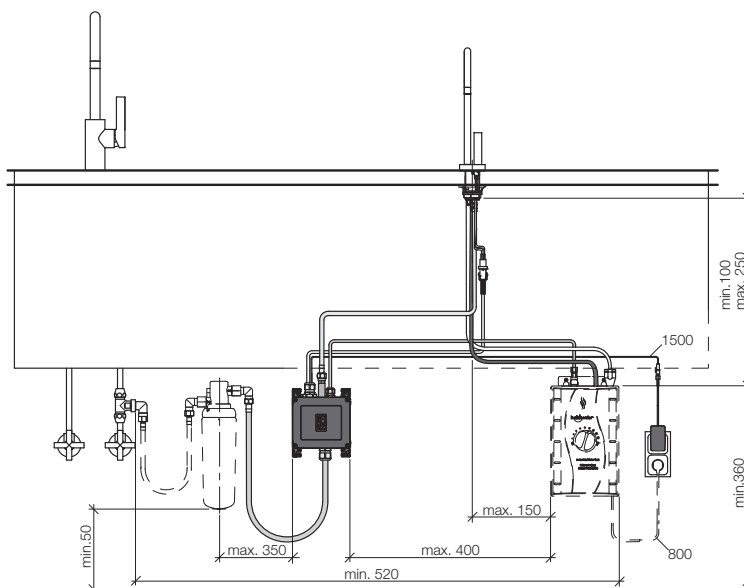
Recommended miscellaneous

DRINKING PLATE

black

84 710 000-13

- for placing in the single sink
- For details and miscellaneous, see page 106





- 145 mm projection
- rigid, thermally insulated spout
- laminar flow
- provides filtered, hot water up to 93°C
- provides filtered, cold water
- max. flow 2 l/min at 3 bar flow pressure
- ready-to-use control unit for wall mounting (135mm x 160mm x 60mm)
- electronic magnetic valve
- 100-230 V, 50-60 Hz, 18 W power supply unit, incl. country-specific adapter set
- lead-free

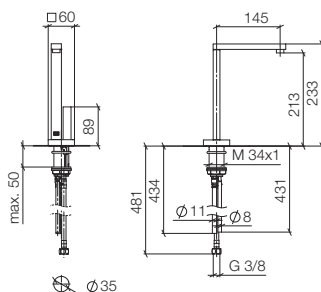
A minimum flow pressure of 3 bar is necessary for the HOT & COLD WATER DISPENSER to work perfectly in conjunction with a hot water tank and filter.

In addition, the installation must be above a kitchen sink.

The filter cartridge must be changed every six months. The installation instructions contain further information for guidance.

Detailed planning information and technical data can be found at www.dornbracht.com/professional

polished chrome	17 861 680-00
platinum matt	17 861 680-06
platinum	17 861 680-08
brushed Durabross	17 861 680-28
Dark Platinum matt	17 861 680-99



Required miscellaneous

Hot water tank incl. filter

12 892 970 90

For details and miscellaneous, see page 025



Recommended miscellaneous

Single sink

matt high-grade steel

38 001 000-86

- 210 x 405 mm
- installation, on top or flush



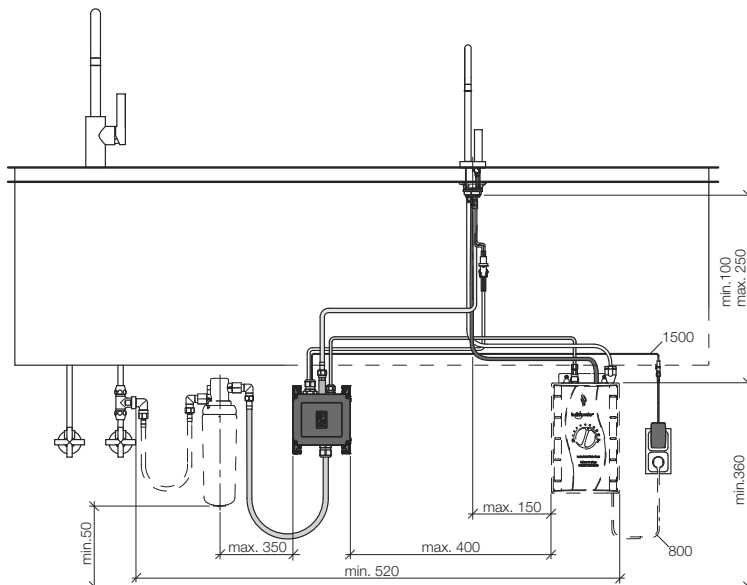
Recommended miscellaneous

DRINKING PLATE

black

84 710 000-13

- for placing in the single sink
- For details and miscellaneous, see page 106



17 861 625

Meta.02

HOT & COLD WATER DISPENSER

- 145 mm projection
- rigid, thermally insulated spout
- laminar flow
- provides filtered, hot water up to 93°C
- provides filtered, cold water
- max. flow 2 l/min at 3 bar flow pressure
- ready-to-use control unit for wall mounting (137mm x 159mm x 60mm)
- electronic magnetic valve
- 100-230 V, 50-60 Hz, 18 W power supply unit, incl. country-specific adapter set
- lead-free

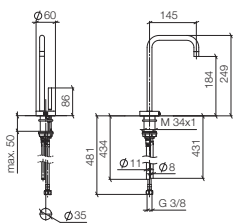
A minimum flow pressure of 3 bar is necessary for the HOT & COLD WATER DISPENSER to work perfectly in conjunction with a hot water tank and filter.

In addition, the installation must be above a kitchen sink.

The filter cartridge must be changed every six months. The installation instructions contain further information for guidance.

Detailed planning information and technical data can be found at www.dornbracht.com/professional

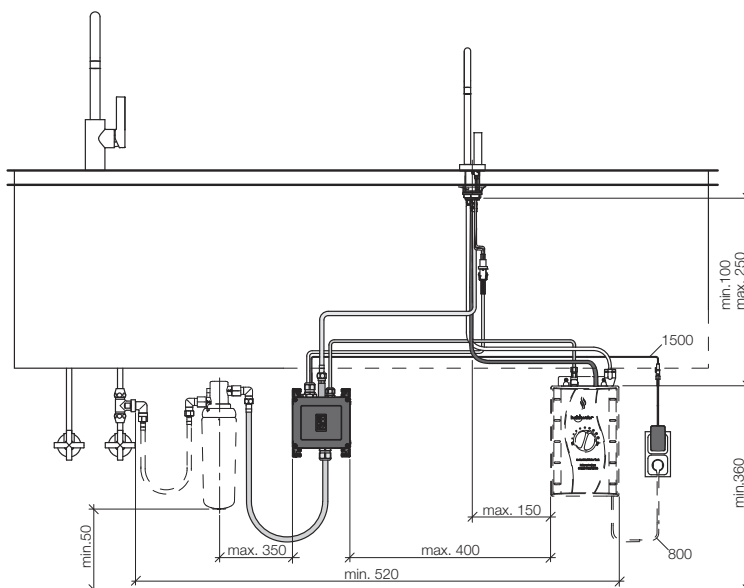
polished chrome	17 861 625-00
platinum matt	17 861 625-06
platinum	17 861 625-08
brushed Durabronz	17 861 625-28
Dark Platinum matt	17 861 625-99



Required miscellaneous	
 Hot water tank incl. filter	12 892 970 90
For details and miscellaneous, see page 025	

Recommended miscellaneous	
 Single sink	matt high-grade steel 38 001 000-86
<ul style="list-style-type: none"> • 210 x 405 mm • installation, on top or flush 	

Recommended miscellaneous	
 DRINKING PLATE	black 84 710 000-13
<ul style="list-style-type: none"> • for placing in the single sink 	
For details and miscellaneous, see page 106	



HOT & COLD WATER DISPENSER

- 146 mm projection
- rigid, thermally insulated spout
- laminar flow
- provides filtered, hot water up to 93°C
- provides filtered, cold water
- max. flow 2 l/min at 3 bar flow pressure
- ready-to-use control unit for wall mounting (135mm x 160mm x 60mm)
- electronic magnetic valve
- 100-230 V, 50-60 Hz, 18 W power supply unit, incl. country-specific adapter set
- lead-free

polished chrome	17 861 888-00
platinum matt	17 861 888-06
platinum	17 861 888-08
brushed Durabross	17 861 888-28
Dark Platinum matt	17 861 888-99

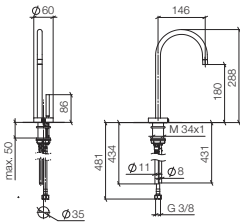


A minimum flow pressure of 3 bar is necessary for the HOT & COLD WATER DISPENSER to work perfectly in conjunction with a hot water tank and filter.

In addition, the installation must be above a kitchen sink.

The filter cartridge must be changed every six months. The installation instructions contain further information for guidance.

Detailed planning information and technical data can be found at www.dornbracht.com/professional



Required miscellaneous

Hot water tank incl. filter

12 892 970 90

For details and miscellaneous, see page 025



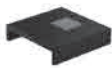
Recommended miscellaneous

Single sink

matt high-grade steel

38 001 000-86

- 210 x 405 mm
- installation, on top or flush



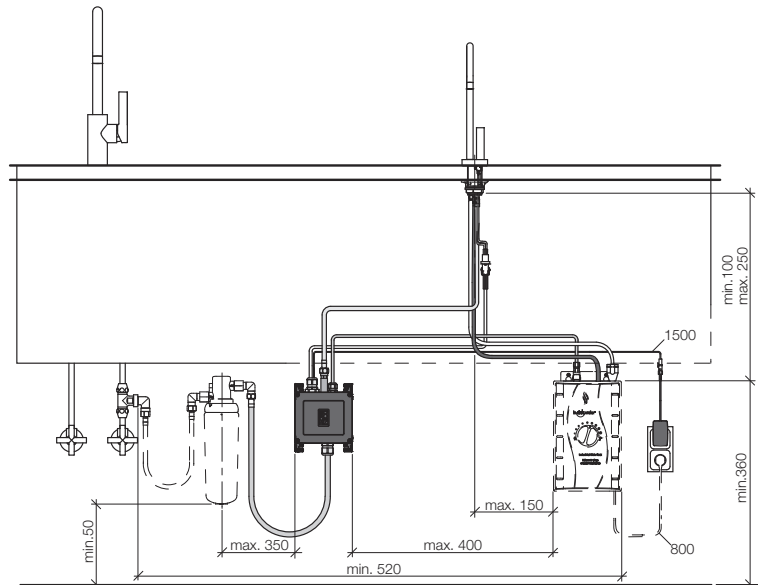
Recommended miscellaneous

DRINKING PLATE

black

84 710 000-13

- for placing in the single sink
- For details and miscellaneous, see page 106



17 861 875

Tara Ultra

HOT & COLD WATER DISPENSER

- 146 mm projection
- rigid, thermally insulated spout
- laminar flow
- provides filtered, hot water up to 93°C
- provides filtered, cold water
- max. flow 2 l/min at 3 bar flow pressure
- ready-to-use control unit for wall mounting (135mm x 160mm x 60mm)
- electronic magnetic valve
- 100-230 V, 50-60 Hz, 18 W power supply unit, incl. country-specific adapter set
- lead-free

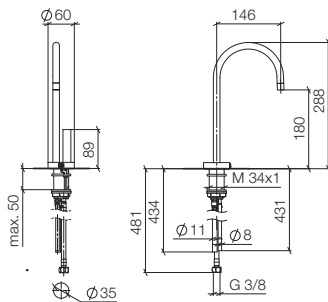
A minimum flow pressure of 3 bar is necessary for the HOT & COLD WATER DISPENSER to work perfectly in conjunction with a hot water tank and filter.

In addition, the installation must be above a kitchen sink.

The filter cartridge must be changed every six months. The installation instructions contain further information for guidance.

Detailed planning information and technical data can be found at www.dornbracht.com/professional

polished chrome	17 861 875-00
platinum matt	17 861 875-06
platinum	17 861 875-08
brushed Durabross	17 861 875-28
Dark Platinum matt	17 861 875-99



Required miscellaneous	
 Hot water tank incl. filter	12 892 970 90

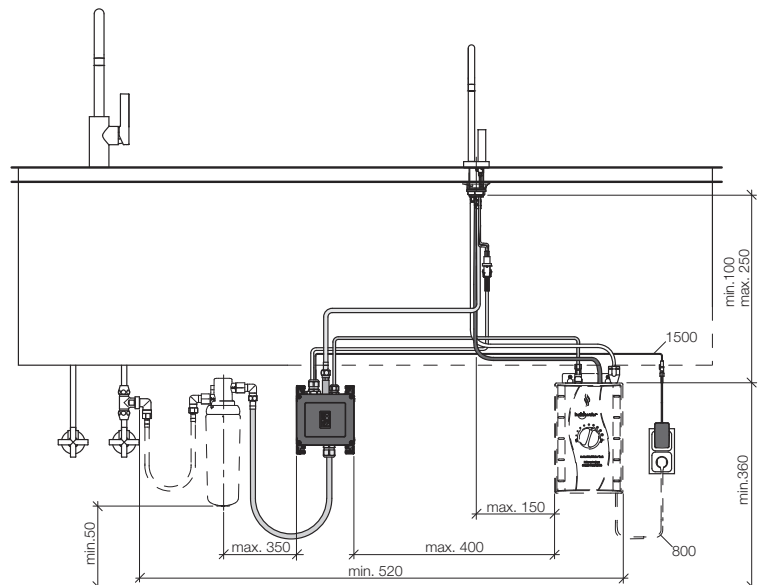
For details and miscellaneous, see page 025

Recommended miscellaneous	
 Single sink	matt high-grade steel 38 001 000-86

- 210 x 405 mm
- installation, on top or flush

Recommended miscellaneous	
 DRINKING PLATE	black 84 710 000-13

- for placing in the single sink
- For details and miscellaneous, see page 106



12 892 970

Miscellaneous

Hot water tank incl. filter

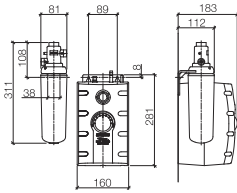


- CEE 7/4 connector
- thermostat regulator (88°C - 98°C)
- capacity 2,5 litres
- power 1300 W
- voltage 220 - 240 volt
- activated carbon filter (5.0 micron level)
- chemical and mechanical filtering
- reduces water hardness (ion exchanger)
- filters dirt, rust, chlorine and lead particles
- filter capacity approx. 450 litres

For use with HOT & COLD WATER DISPENSER
17 861 625 / 17 861 680 / 17 861 790 /
17 861 875 / 17 861 888

The filter cartridge must be changed every six months. The installation instructions contain further information for guidance.

The products are not available in all markets, please contact your Dornbracht sales force.



12 892 970 90

12 896 970

Miscellaneous

Replacement filter cartridge



- activated carbon filter (5.0 micron level)
- chemical and mechanical filtering
- reduces water hardness (ion exchanger)
- filters dirt, rust, chlorine and lead particles
- filter capacity approx. 450 litres
- for 12 892 970 90

The filter cartridge must be changed every six months. The installation instructions contain further information for guidance.

The products are not available in all markets, please contact your Dornbracht sales force.

12 896 970 90

Elio

Sieger Design



Detailed product information, appropriate files, dimensioned drawings and 3D objects can be found online at www.dornbracht.com.

33 870 790

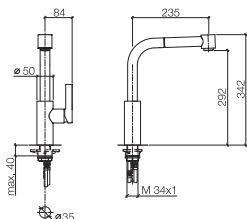


Single-lever mixer Pull-out with spray function

- 235 mm projection
- pivotable spout 360°
- air-enriched flow and spray flow
- fabric braided hose 1500 mm
- max. flow 8 l/min at 3 bar flow pressure
- lead-free

Intrinsic protection against back flow.

polished chrome	33 870 790-00
platinum matt	33 870 790-06
platinum	33 870 790-08
brushed Durabron	33 870 790-28
Dark Platinum matt	33 870 790-99



Recommended miscellaneous

Dispenser without rosette

For details and miscellaneous, see page 103

polished chrome	82 424 970-00
platinum matt	82 424 970-06
platinum	82 424 970-08
brushed Durabron	82 424 970-28
Dark Platinum matt	82 424 970-99



Recommended miscellaneous

Strainer waste with control handle

For details and miscellaneous, see page 104

polished chrome	10 712 970-00
platinum matt	10 712 970-06
platinum	10 712 970-08
brushed Durabron	10 712 970-28
Dark Platinum matt	10 712 970-99

33 840 790

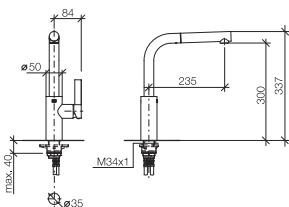


Single-lever mixer Pull-out

- 235 mm projection
- pivotable spout 360°
- air-enriched flow
- fabric braided hose 1500 mm
- max. flow 8.8 l/min at 3 bar flow pressure
- lead-free

Intrinsic protection against back flow.

polished chrome	33 840 790-00
platinum matt	33 840 790-06
platinum	33 840 790-08
brushed Durabron	33 840 790-28
Dark Platinum matt	33 840 790-99



Recommended miscellaneous

Dispenser without rosette

For details and miscellaneous, see page 103

polished chrome	82 424 970-00
platinum matt	82 424 970-06
platinum	82 424 970-08
brushed Durabron	82 424 970-28
Dark Platinum matt	82 424 970-99



Recommended miscellaneous

Strainer waste with control handle

For details and miscellaneous, see page 104

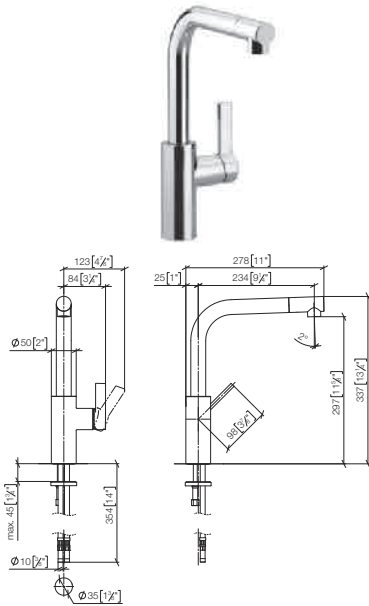
polished chrome	10 712 970-00
platinum matt	10 712 970-06
platinum	10 712 970-08
brushed Durabron	10 712 970-28
Dark Platinum matt	10 712 970-99

33 800 790

Single-lever mixer

- 234 mm projection
- pivotable spout 360°
- spout, end-piece with 20° rotation
- air-enriched flow
- max. flow 8 l/min at 3 bar flow pressure
- lead-free

polished chrome	33 800 790-00
platinum matt	33 800 790-06
platinum	33 800 790-08
brushed Durabross	33 800 790-28
Dark Platinum matt	33 800 790-99



Recommended miscellaneous

Dispenser without rosette

For details and miscellaneous, see page 103

polished chrome	82 424 970-00
platinum matt	82 424 970-06
platinum	82 424 970-08
brushed Durabross	82 424 970-28
Dark Platinum matt	82 424 970-99



Recommended miscellaneous

Strainer waste with control handle

For details and miscellaneous, see page 104

polished chrome	10 712 970-00
platinum matt	10 712 970-06
platinum	10 712 970-08
brushed Durabross	10 712 970-28
Dark Platinum matt	10 712 970-99

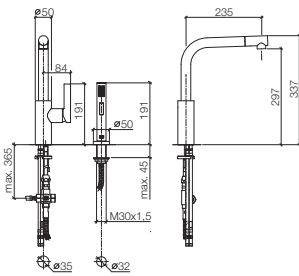
33 826 790 + 27 721 970

Single-lever mixer with rinsing spray set

- 234 mm projection
- pivotable spout 360°
- spout, end-piece with 20° rotation
- air-enriched flow and spray flow
- automatic spout/shower diverter
- fabric braided hose 1500 mm
- sprayface with anti-scaling system
- max. flow 8 l/min at 3 bar flow pressure
- lead-free

Intrinsic protection against back flow.

polished chrome	1x 33 826 790-00
	1x 27 721 970-00
platinum matt	1x 33 826 790-06
	1x 27 721 970-06
platinum	1x 33 826 790-08
	1x 27 721 970-08
brushed Durabross	1x 33 826 790-28
	1x 27 721 970-28
Dark Platinum matt	1x 33 826 790-99
	1x 27 721 970-99



Recommended miscellaneous

Dispenser with rosette

For details and miscellaneous, see page 102

polished chrome	82 434 970-00
platinum matt	82 434 970-06
platinum	82 434 970-08
brushed Durabross	82 434 970-28
Dark Platinum matt	82 434 970-99



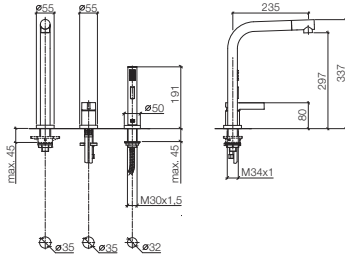
Recommended miscellaneous

Strainer waste with control handle

For details and miscellaneous, see page 103

polished chrome	10 710 970-00
platinum matt	10 710 970-06
platinum	10 710 970-08
brushed Durabross	10 710 970-28
Dark Platinum matt	10 710 970-99

32 800 790 + 27 721 970



Two-hole mixer with individual rosettes with rinsing spray set

- 235 mm projection
- pivotable spout 360°
- spout, end-piece with 20° rotation
- air-enriched flow and spray flow
- automatic spout/shower diverter
- fabric braided hose 1500 mm
- sprayface with anti-scaling system
- max. flow 8 l/min at 3 bar flow pressure
- lead-free

Intrinsic protection against back flow.
Operating unit can be positioned freely.

polished chrome	1x 32 800 790-00
	1x 27 721 970-00
platinum matt	1x 32 800 790-06
	1x 27 721 970-06
platinum	1x 32 800 790-08
	1x 27 721 970-08
brushed Durabross	1x 32 800 790-28
	1x 27 721 970-28
Dark Platinum matt	1x 32 800 790-99
	1x 27 721 970-99



Recommended miscellaneous

Dispenser with rosette

For details and miscellaneous, see page 102

polished chrome	82 434 970-00
platinum matt	82 434 970-06
platinum	82 434 970-08
brushed Durabross	82 434 970-28
Dark Platinum matt	82 434 970-99



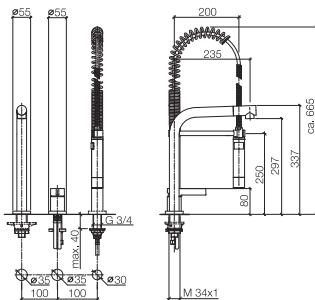
Recommended miscellaneous

Strainer waste with control handle

For details and miscellaneous, see page 103

polished chrome	10 710 970-00
platinum matt	10 710 970-06
platinum	10 710 970-08
brushed Durabross	10 710 970-28
Dark Platinum matt	10 710 970-99

32 800 790 + 27 789 970



Two-hole mixer with individual rosettes with profi spray set

- 235 mm projection
- pivotable spout 360°
- spout, end-piece with 20° rotation
- air-enriched flow and spray flow
- sprayface with anti-scaling system
- max. flow 8 l/min at 3 bar flow pressure
- automatic spout/shower diverter
- lead-free

Intrinsic protection against back flow.
Operating unit can be positioned freely.

polished chrome	1x 32 800 790-00
	1x 27 789 970-00
platinum matt	1x 32 800 790-06
	1x 27 789 970-06
platinum	1x 32 800 790-08
	1x 27 789 970-08



Recommended miscellaneous

Dispenser with rosette

For details and miscellaneous, see page 102

polished chrome	82 434 970-00
platinum matt	82 434 970-06
platinum	82 434 970-08



Recommended miscellaneous

Strainer waste with control handle

For details and miscellaneous, see page 103

polished chrome	10 710 970-00
platinum matt	10 710 970-06
platinum	10 710 970-08

17 861 790



HOT & COLD WATER DISPENSER

- 142 mm projection
- rigid, thermally insulated spout
- laminar flow
- provides filtered, hot water up to 93°C
- provides filtered, cold water
- max. flow 2 l/min at 3 bar flow pressure
- ready-to-use control unit for wall mounting (135mm x 160mm x 60mm)
- electronic magnetic valve
- 100-230 V, 50-60 Hz, 18 W power supply unit, incl. country-specific adapter set
- lead-free

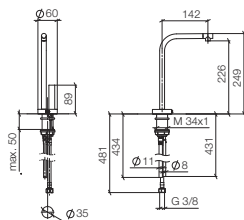
polished chrome	17 861 790-00
platinum matt	17 861 790-06
platinum	17 861 790-08
brushed Durabronz	17 861 790-28
Dark Platinum matt	17 861 790-99

A minimum flow pressure of 3 bar is necessary for the HOT & COLD WATER DISPENSER to work perfectly in conjunction with a hot water tank and filter.

In addition, the installation must be above a kitchen sink.

The filter cartridge must be changed every six months. The installation instructions contain further information for guidance.

Detailed planning information and technical data can be found at www.dornbracht.com/professional



Required miscellaneous

	Hot water tank incl. filter	12 892 970 90
--	------------------------------------	---------------

For details and miscellaneous, see page 025

Recommended miscellaneous

	Single sink	matt high-grade steel	38 001 000-86
--	--------------------	-----------------------	---------------

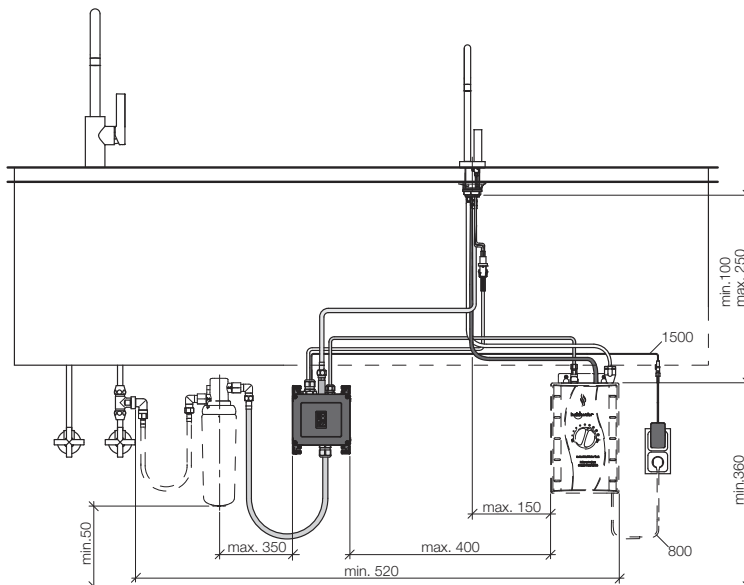
- 210 x 405 mm
- installation, on top or flush

Recommended miscellaneous

	DRINKING PLATE	black	84 710 000-13
--	-----------------------	-------	---------------

- for placing in the single sink

For details and miscellaneous, see page 106



eno
Sieger Design



Detailed product information, appropriate files, dimensioned drawings and 3D objects can be found online at www.dornbracht.com.

33 875 760

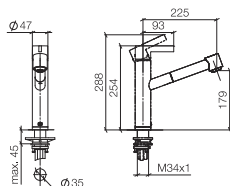


Single-lever mixer Pull-out with spray function

- 225 mm projection
- pivotable spout 130°
- air-enriched flow and spray flow
- 1600mm metal shower hose
- max. flow 9.6 l/min at 3 bar flow pressure
- lead-free

Intrinsic protection against back flow.

polished chrome	33 875 760-00
platinum matt	33 875 760-06
platinum	33 875 760-08
brushed Durabron	33 875 760-28
Dark Platinum matt	33 875 760-99



Recommended miscellaneous

Dispenser without rosette

For details and miscellaneous, see page 103

polished chrome	82 424 970-00
platinum matt	82 424 970-06
platinum	82 424 970-08
brushed Durabron	82 424 970-28
Dark Platinum matt	82 424 970-99



Recommended miscellaneous

Strainer waste with control handle

For details and miscellaneous, see page 104

polished chrome	10 712 970-00
platinum matt	10 712 970-06
platinum	10 712 970-08
brushed Durabron	10 712 970-28
Dark Platinum matt	10 712 970-99

33 845 760

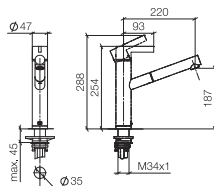


Single-lever mixer Pull-out

- 220 mm projection
- pivotable spout 130°
- air-enriched flow
- 1600mm metal shower hose
- max. flow 10 l/min at 3 bar flow pressure
- lead-free

Intrinsic protection against back flow.

polished chrome	33 845 760-00
platinum matt	33 845 760-06
platinum	33 845 760-08
brushed Durabron	33 845 760-28
Dark Platinum matt	33 845 760-99



Recommended miscellaneous

Dispenser without rosette

For details and miscellaneous, see page 103

polished chrome	82 424 970-00
platinum matt	82 424 970-06
platinum	82 424 970-08
brushed Durabron	82 424 970-28
Dark Platinum matt	82 424 970-99



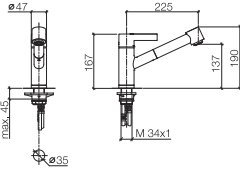
Recommended miscellaneous

Strainer waste with control handle

For details and miscellaneous, see page 104

polished chrome	10 712 970-00
platinum matt	10 712 970-06
platinum	10 712 970-08
brushed Durabron	10 712 970-28
Dark Platinum matt	10 712 970-99

33 870 760



Single-lever mixer Pull-out with spray function

- 225 mm projection
- pivotable spout 130°
- air-enriched flow and spray flow
- fabric braided hose 1500 mm
- max. flow 8.3 l/min at 3 bar flow pressure
- lead-free

Intrinsic protection against back flow.

polished chrome	33 870 760-00
platinum matt	33 870 760-06
platinum	33 870 760-08
brushed Durabronz	33 870 760-28
Dark Platinum matt	33 870 760-99



Recommended miscellaneous

Dispenser without rosette

For details and miscellaneous, see page 103

polished chrome	82 424 970-00
platinum matt	82 424 970-06
platinum	82 424 970-08
brushed Durabronz	82 424 970-28
Dark Platinum matt	82 424 970-99



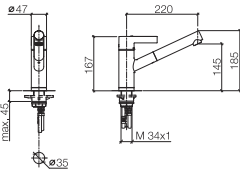
Recommended miscellaneous

Strainer waste with control handle

For details and miscellaneous, see page 104

polished chrome	10 712 970-00
platinum matt	10 712 970-06
platinum	10 712 970-08
brushed Durabronz	10 712 970-28
Dark Platinum matt	10 712 970-99

33 840 760



Single-lever mixer Pull-out

- 220 mm projection
- pivotable spout 130°
- air-enriched flow
- fabric braided hose 1500 mm
- max. flow 8 l/min at 3 bar flow pressure
- lead-free

Intrinsic protection against back flow.

polished chrome	33 840 760-00
platinum matt	33 840 760-06
platinum	33 840 760-08
brushed Durabronz	33 840 760-28
Dark Platinum matt	33 840 760-99



Recommended miscellaneous

Dispenser without rosette

For details and miscellaneous, see page 103

polished chrome	82 424 970-00
platinum matt	82 424 970-06
platinum	82 424 970-08
brushed Durabronz	82 424 970-28
Dark Platinum matt	82 424 970-99



Recommended miscellaneous

Strainer waste with control handle

For details and miscellaneous, see page 104

polished chrome	10 712 970-00
platinum matt	10 712 970-06
platinum	10 712 970-08
brushed Durabronz	10 712 970-28
Dark Platinum matt	10 712 970-99

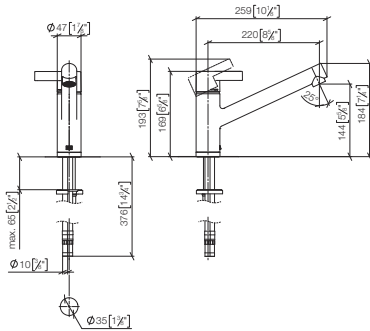
33 800 760



Single-lever mixer

- 220 mm projection
- pivotable spout 130°
- air-enriched flow
- max. flow 8 l/min at 3 bar flow pressure
- lead-free

polished chrome	33 800 760-00
platinum matt	33 800 760-06
platinum	33 800 760-08
brushed Durabronz	33 800 760-28
Dark Platinum matt	33 800 760-99



Recommended miscellaneous

Dispenser without rosette

For details and miscellaneous, see page 103

polished chrome	82 424 970-00
platinum matt	82 424 970-06
platinum	82 424 970-08
brushed Durabronz	82 424 970-28
Dark Platinum matt	82 424 970-99



Recommended miscellaneous

Strainer waste with control handle

For details and miscellaneous, see page 104

polished chrome	10 712 970-00
platinum matt	10 712 970-06
platinum	10 712 970-08
brushed Durabronz	10 712 970-28
Dark Platinum matt	10 712 970-99

Lot

Sieger Design



Detailed product information, appropriate files, dimensioned drawings and 3D objects can be found online at www.dornbracht.com.

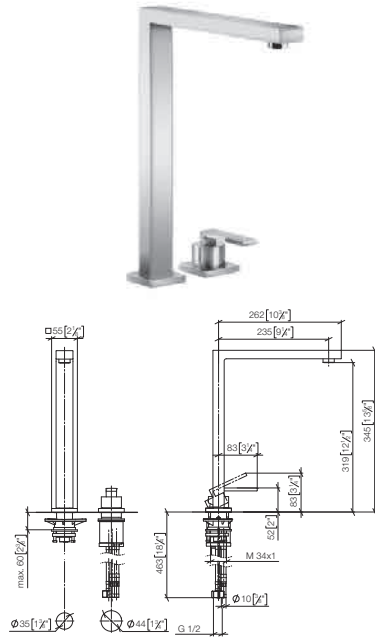
32 800 680

Two-hole mixer with individual rosettes

- 235 mm projection
- pivotable spout 360°
- air-enriched flow
- max. flow 8 l/min at 3 bar flow pressure
- lead-free

Operating unit can be positioned freely.

polished chrome	32 800 680-00
platinum matt	32 800 680-06
platinum	32 800 680-08
brushed Durabronz	32 800 680-28
Dark Platinum matt	32 800 680-99



Recommended miscellaneous

Dispenser with rosette

For details and miscellaneous, see page 102

polished chrome	82 439 970-00
platinum matt	82 439 970-06
platinum	82 439 970-08
brushed Durabronz	82 439 970-28
Dark Platinum matt	82 439 970-99



Recommended miscellaneous

Strainer waste with control handle

For details and miscellaneous, see page 104

polished chrome	10 711 970-00
platinum matt	10 711 970-06
platinum	10 711 970-08
brushed Durabronz	10 711 970-28
Dark Platinum matt	10 711 970-99

32 800 680 + 27 722 970

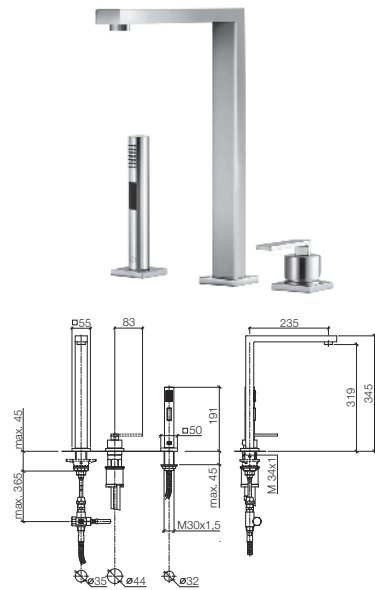
Two-hole mixer with individual rosettes with rinsing spray set

- 235 mm projection
- pivotable spout 360°
- air-enriched flow and spray flow
- automatic spout/shower diverter
- fabric braided hose 1500 mm
- sprayface with anti-scaling system
- max. flow 8 l/min at 3 bar flow pressure
- lead-free

Intrinsic protection against back flow.

Operating unit can be positioned freely.

polished chrome	1x 32 800 680-00
	1x 27 722 970-00
platinum matt	1x 32 800 680-06
	1x 27 722 970-06
platinum	1x 32 800 680-08
	1x 27 722 970-08
brushed Durabronz	1x 32 800 680-28
	1x 27 722 970-28
Dark Platinum matt	1x 32 800 680-99
	1x 27 722 970-99



Recommended miscellaneous

Dispenser with rosette

For details and miscellaneous, see page 102

polished chrome	82 439 970-00
platinum matt	82 439 970-06
platinum	82 439 970-08
brushed Durabronz	82 439 970-28
Dark Platinum matt	82 439 970-99



Recommended miscellaneous

Strainer waste with control handle

For details and miscellaneous, see page 104

polished chrome	10 711 970-00
platinum matt	10 711 970-06
platinum	10 711 970-08
brushed Durabronz	10 711 970-28
Dark Platinum matt	10 711 970-99

32 800 680 + 27 784 970

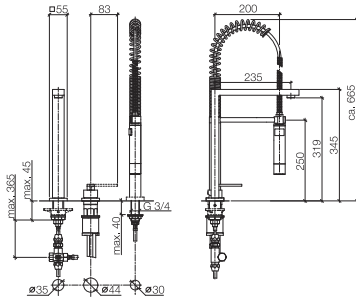


Two-hole mixer with individual rosettes with profi spray set

- 235 mm projection
- pivotable spout 360°
- air-enriched flow and spray flow
- automatic spout/shower diverter
- sprayface with anti-scaling system
- max. flow 8 l/min at 3 bar flow pressure
- lead-free

Intrinsic protection against back flow.
Operating unit can be positioned freely.

polished chrome	1x 32 800 680-00
	1x 27 784 970-00
platinum matt	1x 32 800 680-06
	1x 27 784 970-06
platinum	1x 32 800 680-08
	1x 27 784 970-08



Recommended miscellaneous

Dispenser with rosette

For details and miscellaneous, see page 102

polished chrome	82 439 970-00
platinum matt	82 439 970-06
platinum	82 439 970-08



Recommended miscellaneous

Strainer waste with control handle

For details and miscellaneous, see page 104

polished chrome	10 711 970-00
platinum matt	10 711 970-06
platinum	10 711 970-08

32 843 680



Two-hole mixer with cover plate

- 235 mm projection
- pivotable spout 360°
- air-enriched flow
- cover plate 126 x 55 mm
- gauge 71 mm
- max. flow 8 l/min at 3 bar flow pressure
- lead-free

polished chrome	32 843 680-00
platinum matt	32 843 680-06
platinum	32 843 680-08
brushed Durabross	32 843 680-28
Dark Platinum matt	32 843 680-99



Recommended miscellaneous

Dispenser with rosette

For details and miscellaneous, see page 102

polished chrome	82 439 970-00
platinum matt	82 439 970-06
platinum	82 439 970-08
brushed Durabross	82 439 970-28
Dark Platinum matt	82 439 970-99

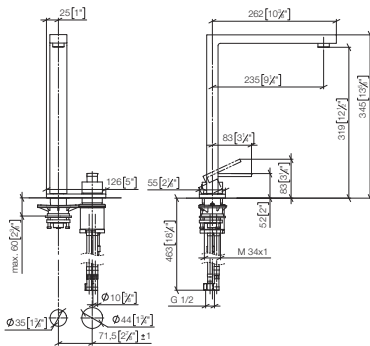


Recommended miscellaneous

Strainer waste with control handle

For details and miscellaneous, see page 104

polished chrome	10 711 970-00
platinum matt	10 711 970-06
platinum	10 711 970-08
brushed Durabross	10 711 970-28
Dark Platinum matt	10 711 970-99



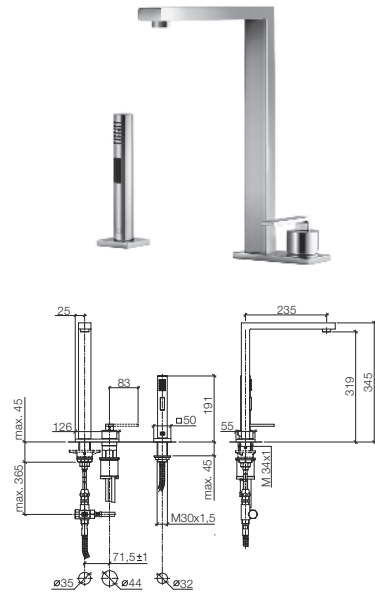
32 843 680 + 27 722 970

Two-hole mixer with cover plate with rinsing spray set

- 235 mm projection
- pivotable spout 360°
- air-enriched flow and spray flow
- cover plate 126 x 55 mm
- gauge 71 mm
- fabric braided hose 1500 mm
- automatic spout/shower diverter
- sprayface with anti-scaling system
- max. flow 8 l/min at 3 bar flow pressure
- lead-free

Intrinsic protection against back flow.

polished chrome	1x 32 843 680-00
	1x 27 722 970-00
platinum matt	1x 32 843 680-06
	1x 27 722 970-06
platinum	1x 32 843 680-08
	1x 27 722 970-08
brushed Durabrass	1x 32 843 680-28
	1x 27 722 970-28
Dark Platinum matt	1x 32 843 680-99
	1x 27 722 970-99



Recommended miscellaneous



Dispenser with rosette

For details and miscellaneous, see page 102

polished chrome	82 439 970-00
platinum matt	82 439 970-06
platinum	82 439 970-08
brushed Durabrass	82 439 970-28
Dark Platinum matt	82 439 970-99

Recommended miscellaneous



Strainer waste with control handle

For details and miscellaneous, see page 104

polished chrome	10 711 970-00
platinum matt	10 711 970-06
platinum	10 711 970-08
brushed Durabrass	10 711 970-28
Dark Platinum matt	10 711 970-99

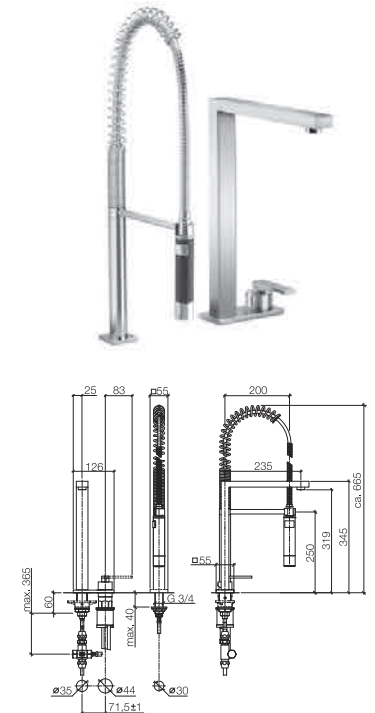
32 843 680 + 27 784 970

Two-hole mixer with cover plate with profi spray set

- 235 mm projection
- pivotable spout 360°
- air-enriched flow and spray flow
- cover plate 126 x 55 mm
- gauge 71 mm
- automatic spout/shower diverter
- sprayface with anti-scaling system
- max. flow 8 l/min at 3 bar flow pressure
- lead-free

Intrinsic protection against back flow.

polished chrome	1x 32 843 680-00
	1x 27 784 970-00
platinum matt	1x 32 843 680-06
	1x 27 784 970-06
platinum	1x 27 784 970-08
	1x 32 843 680-08



Recommended miscellaneous



Dispenser with rosette

For details and miscellaneous, see page 102

polished chrome	82 439 970-00
platinum matt	82 439 970-06
platinum	82 439 970-08

Recommended miscellaneous



Strainer waste with control handle

For details and miscellaneous, see page 104

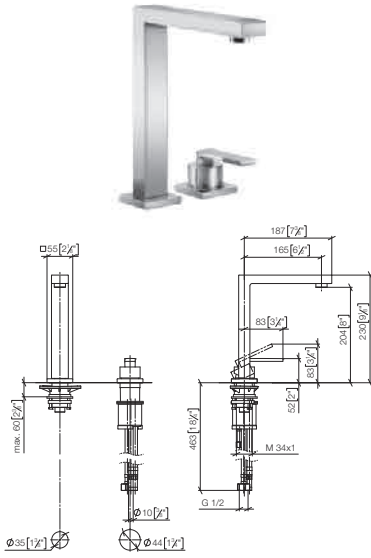
polished chrome	10 711 970-00
platinum matt	10 711 970-06
platinum	10 711 970-08

BAR TAP Two-hole mixer with individual rosettes

- 165 mm projection
- pivotable spout 360°
- air-enriched flow
- max. flow 8 l/min at 3 bar flow pressure
- lead-free

Operating unit can be positioned freely.

polished chrome	32 805 680-00
platinum matt	32 805 680-06
platinum	32 805 680-08
brushed Durabronz	32 805 680-28
Dark Platinum matt	32 805 680-99



Recommended miscellaneous

Dispenser with rosette

For details and miscellaneous, see page 102

polished chrome	82 439 970-00
platinum matt	82 439 970-06
platinum	82 439 970-08
brushed Durabronz	82 439 970-28
Dark Platinum matt	82 439 970-99



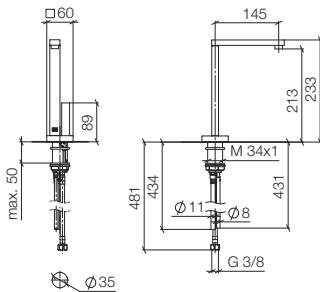
Recommended miscellaneous

Strainer waste with control handle

For details and miscellaneous, see page 104

polished chrome	10 711 970-00
platinum matt	10 711 970-06
platinum	10 711 970-08
brushed Durabronz	10 711 970-28
Dark Platinum matt	10 711 970-99

17 861 680



HOT & COLD WATER DISPENSER

- 145 mm projection
- rigid, thermally insulated spout
- laminar flow
- provides filtered, hot water up to 93°C
- provides filtered, cold water
- max. flow 2 l/min at 3 bar flow pressure
- ready-to-use control unit for wall mounting (135mm x 160mm x 60mm)
- electronic magnetic valve
- 100-230 V, 50-60 Hz, 18 W power supply unit, incl. country-specific adapter set
- lead-free

A minimum flow pressure of 3 bar is necessary for the HOT & COLD WATER DISPENSER to work perfectly in conjunction with a hot water tank and filter.

In addition, the installation must be above a kitchen sink.

The filter cartridge must be changed every six months. The installation instructions contain further information for guidance.

Detailed planning information and technical data can be found at www.dornbracht.com/professional

polished chrome	17 861 680-00
platinum matt	17 861 680-06
platinum	17 861 680-08
brushed Durabross	17 861 680-28
Dark Platinum matt	17 861 680-99

Required miscellaneous

	Hot water tank incl. filter	12 892 970 90
---	------------------------------------	---------------

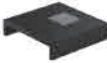
For details and miscellaneous, see page 025

Recommended miscellaneous

	Single sink	matt high-grade steel	38 001 000-86
--	--------------------	-----------------------	---------------

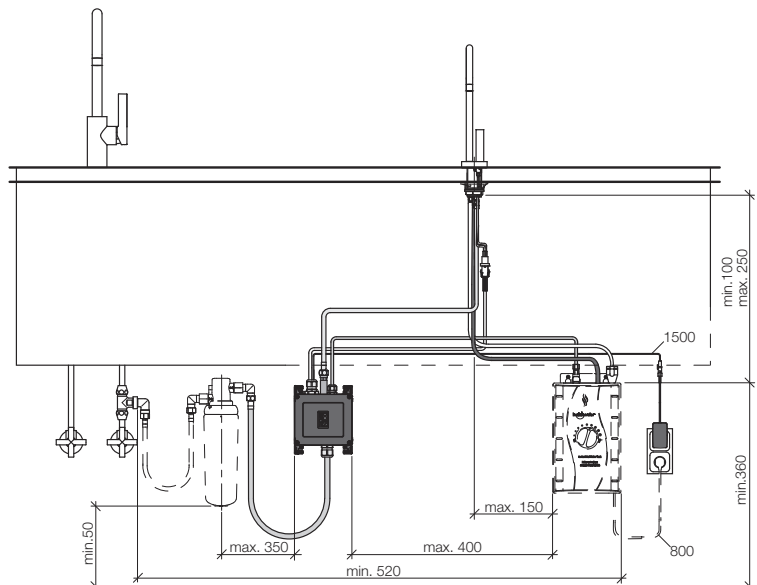
- 210 x 405 mm
- installation, on top or flush

Recommended miscellaneous

	DRINKING PLATE	black	84 710 000-13
---	-----------------------	-------	---------------

- for placing in the single sink

For details and miscellaneous, see page 106

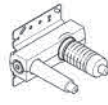




Wall-mounted mixer with cover plate

- 221 mm projection
- fixed spout
- air-enriched flow
- cover plate 178 x 78 mm
- max. flow 5.7 l/min at 3 bar flow pressure
- lead-free

polished chrome	36 860 680-00
platinum matt	36 860 680-06
platinum	36 860 680-08
brushed Durabronz	36 860 680-28
Dark Platinum matt	36 860 680-99



Required miscellaneous

Concealed wall-mounted single-lever mixer on right

- min. recess depth 80 mm
- max. recess depth 95 mm

For details and miscellaneous, see page 110

Concealed rough parts	35 860 970 90
-----------------------	----------------------



Required miscellaneous

Concealed wall-mounted single-lever mixer on right

NOTE: Not suitable for concealed installation. Connection by means of angle valves, mounted with screws to back wall.

For details and miscellaneous, see page 111

Concealed rough parts	35 816 970 90
-----------------------	----------------------

Meta.02

Sieger Design

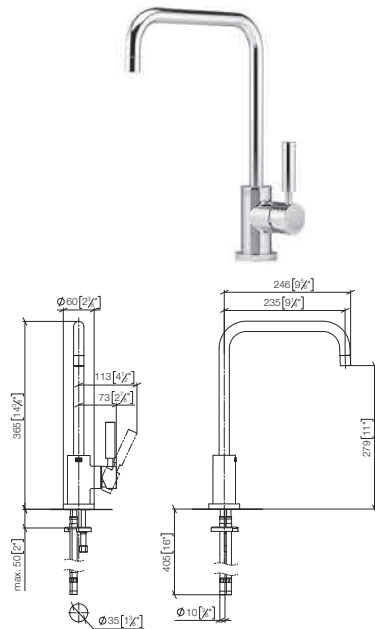


Detailed product information, appropriate files, dimensioned drawings and 3D objects can be found online at www.dornbracht.com.

33 810 625

Single-lever mixer

- 235 mm projection
- pivotable spout 360°
- air-enriched flow
- max. flow 7 l/min at 3 bar flow pressure
- lead-free



polished chrome	33 810 625-00
platinum matt	33 810 625-06
platinum	33 810 625-08
brushed Durabronz	33 810 625-28
Dark Platinum matt	33 810 625-99



Recommended miscellaneous

Dispenser with rosette

For details and miscellaneous, see page 102

polished chrome	82 434 970-00
platinum matt	82 434 970-06
platinum	82 434 970-08
brushed Durabronz	82 434 970-28
Dark Platinum matt	82 434 970-99



Recommended miscellaneous

Strainer waste with control handle

For details and miscellaneous, see page 103

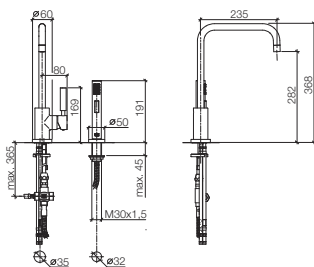
polished chrome	10 710 970-00
platinum matt	10 710 970-06
platinum	10 710 970-08
brushed Durabronz	10 710 970-28
Dark Platinum matt	10 710 970-99

33 820 625 + 27 721 970

Single-lever mixer with rinsing spray set

- 235 mm projection
- pivotable spout 360°
- air-enriched flow and spray flow
- fabric braided hose 1500 mm
- automatic spout/shower diverter
- sprayface with anti-scaling system
- max. flow 7 l/min at 3 bar flow pressure
- lead-free

Intrinsic protection against back flow.



polished chrome	1x 33 820 625-00
	1x 27 721 970-00
platinum matt	1x 33 820 625-06
	1x 27 721 970-06
platinum	1x 33 820 625-08
	1x 27 721 970-08
brushed Durabronz	1x 33 820 625-28
	1x 27 721 970-28
Dark Platinum matt	1x 33 820 625-99
	1x 27 721 970-99



Recommended miscellaneous

Dispenser with rosette

For details and miscellaneous, see page 102

polished chrome	82 434 970-00
platinum matt	82 434 970-06
platinum	82 434 970-08
brushed Durabronz	82 434 970-28
Dark Platinum matt	82 434 970-99



Recommended miscellaneous

Strainer waste with control handle

For details and miscellaneous, see page 103

polished chrome	10 710 970-00
platinum matt	10 710 970-06
platinum	10 710 970-08
brushed Durabronz	10 710 970-28
Dark Platinum matt	10 710 970-99

32 800 625 + 27 721 970

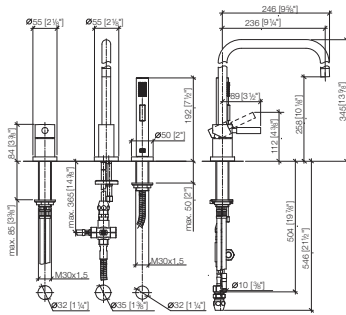


Two-hole mixer with individual rosettes with rinsing spray set

- 200 mm projection
- pivotable spout 360°
- air-enriched flow and spray flow
- fabric braided hose 1500 mm
- automatic spout/shower diverter
- sprayface with anti-scaling system
- max. flow 7 l/min at 3 bar flow pressure
- lead-free

Intrinsic protection against back flow.
Operating unit can be positioned freely.

polished chrome	1 x 32 800 625-00
	1 x 27 721 970-00
platinum matt	1 x 32 800 625-06
	1 x 27 721 970-06
platinum	1 x 32 800 625-08
	1 x 27 721 970-08
brushed Durabrass	1 x 32 800 625-28
	1 x 27 721 970-28
Dark Platinum matt	1 x 32 800 625-99
	1 x 27 721 970-99



Recommended miscellaneous

Dispenser with rosette

For details and miscellaneous, see page 102

polished chrome	82 434 970-00
platinum matt	82 434 970-06
platinum	82 434 970-08
brushed Durabrass	82 434 970-28
Dark Platinum matt	82 434 970-99



Recommended miscellaneous

Strainer waste with control handle

For details and miscellaneous, see page 103

polished chrome	10 710 970-00
platinum matt	10 710 970-06
platinum	10 710 970-08
brushed Durabrass	10 710 970-28
Dark Platinum matt	10 710 970-99

32 800 625 + 27 789 970



Two-hole mixer with individual rosettes with profi spray set

- 200 mm projection
- pivotable spout 360°
- air-enriched flow and spray flow
- automatic spout/shower diverter
- sprayface with anti-scaling system
- max. flow 7 l/min at 3 bar flow pressure
- lead-free

Intrinsic protection against back flow.
Operating unit can be positioned freely.

polished chrome	1 x 32 800 625-00
	1 x 27 789 970-00
platinum matt	1 x 32 800 625-06
	1 x 27 789 970-06
platinum	1 x 32 800 625-08
	1 x 27 789 970-08



Recommended miscellaneous

Dispenser with rosette

For details and miscellaneous, see page 102

polished chrome	82 434 970-00
platinum matt	82 434 970-06
platinum	82 434 970-08

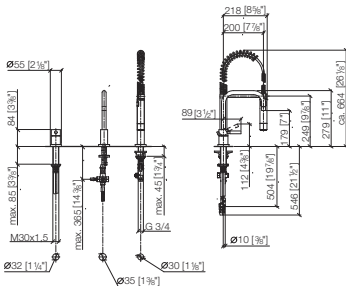


Recommended miscellaneous

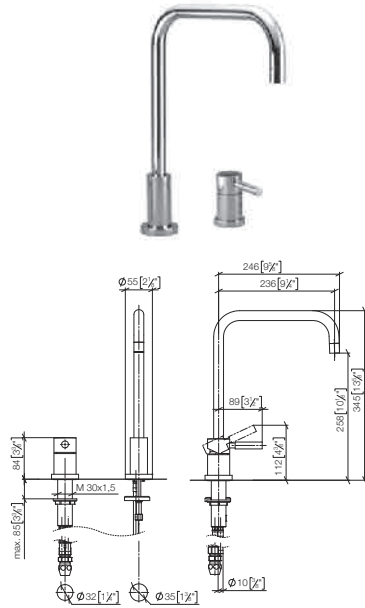
Strainer waste with control handle

For details and miscellaneous, see page 103

polished chrome	10 710 970-00
platinum matt	10 710 970-06
platinum	10 710 970-08



32 815 625



Two-hole mixer with individual rosettes

- 236 mm projection
- pivotable spout 360°
- air-enriched flow
- max. flow 7 l/min at 3 bar flow pressure
- lead-free

Operating unit can be positioned freely.

polished chrome	32 815 625-00
platinum matt	32 815 625-06
platinum	32 815 625-08
brushed Durabross	32 815 625-28
Dark Platinum matt	32 815 625-99



Recommended miscellaneous

Dispenser with rosette

For details and miscellaneous, see page 102

polished chrome	82 434 970-00
platinum matt	82 434 970-06
platinum	82 434 970-08
brushed Durabross	82 434 970-28
Dark Platinum matt	82 434 970-99



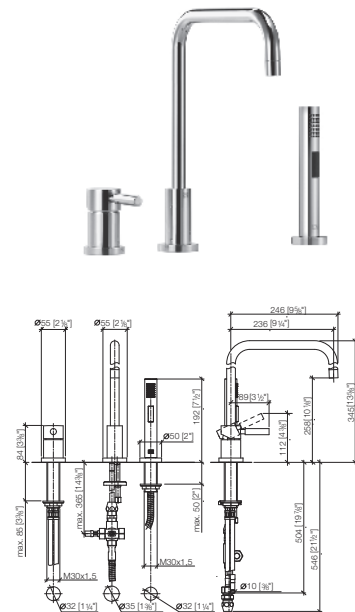
Recommended miscellaneous

Strainer waste with control handle

For details and miscellaneous, see page 103

polished chrome	10 710 970-00
platinum matt	10 710 970-06
platinum	10 710 970-08
brushed Durabross	10 710 970-28
Dark Platinum matt	10 710 970-99

32 815 625 + 27 721 970



Two-hole mixer with individual rosettes with rinsing spray set

- 236 mm projection
- pivotable spout 360°
- air-enriched flow and spray flow
- fabric braided hose 1500 mm
- automatic spout/shower diverter
- sprayface with anti-scaling system
- max. flow 7 l/min at 3 bar flow pressure
- lead-free

Intrinsic protection against back flow.

Operating unit can be positioned freely.

polished chrome	1x 32 815 625-00	1x 27 721 970-00
platinum matt	1x 32 815 625-06	1x 27 721 970-06
platinum	1x 32 815 625-08	1x 27 721 970-08
brushed Durabross	1x 32 815 625-28	1x 27 721 970-28
Dark Platinum matt	1x 32 815 625-99	1x 27 721 970-99



Recommended miscellaneous

Dispenser with rosette

For details and miscellaneous, see page 102

polished chrome	82 434 970-00
platinum matt	82 434 970-06
platinum	82 434 970-08
brushed Durabross	82 434 970-28
Dark Platinum matt	82 434 970-99



Recommended miscellaneous

Strainer waste with control handle

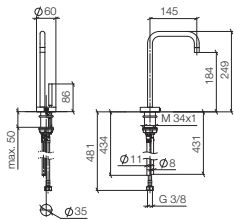
For details and miscellaneous, see page 103

polished chrome	10 710 970-00
platinum matt	10 710 970-06
platinum	10 710 970-08
brushed Durabross	10 710 970-28
Dark Platinum matt	10 710 970-99

HOT & COLD WATER DISPENSER

- 145 mm projection
- rigid, thermally insulated spout
- laminar flow
- provides filtered, hot water up to 93°C
- provides filtered, cold water
- max. flow 2 l/min at 3 bar flow pressure
- ready-to-use control unit for wall mounting (137mm x 159mm x 60mm)
- electronic magnetic valve
- 100-230 V, 50-60 Hz, 18 W power supply unit, incl. country-specific adapter set
- lead-free

polished chrome	17 861 625-00
platinum matt	17 861 625-06
platinum	17 861 625-08
brushed Durabronz	17 861 625-28
Dark Platinum matt	17 861 625-99



A minimum flow pressure of 3 bar is necessary for the HOT & COLD WATER DISPENSER to work perfectly in conjunction with a hot water tank and filter.

In addition, the installation must be above a kitchen sink.

The filter cartridge must be changed every six months. The installation instructions contain further information for guidance.

Detailed planning information and technical data can be found at www.dornbracht.com/professional



Required miscellaneous

Hot water tank incl. filter

12 892 970 90

For details and miscellaneous, see page 025



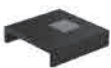
Recommended miscellaneous

Single sink

matt high-grade steel

38 001 000-86

- 210 x 405 mm
- installation, on top or flush



Recommended miscellaneous

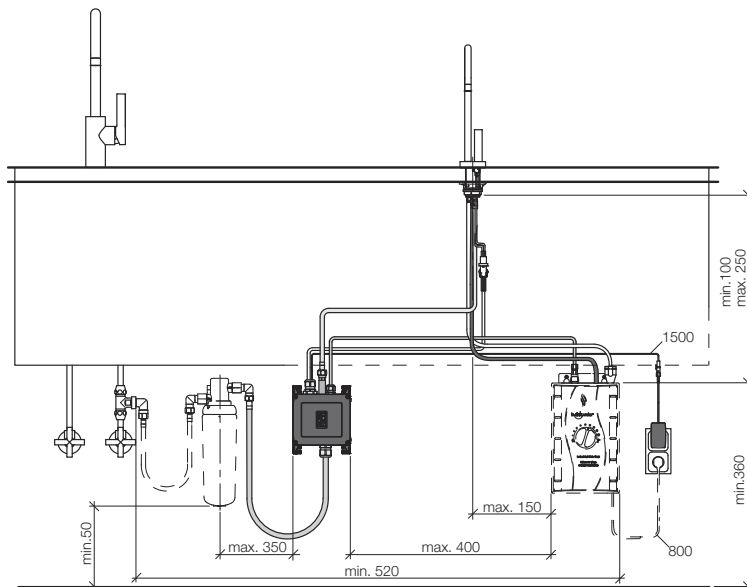
DRINKING PLATE

black

84 710 000-13

- for placing in the single sink

For details and miscellaneous, see page 106



36 880 625



Wall-mounted mixer with individual rosettes

- 227 mm projection
- pivoting spout
- air-enriched flow
- max. flow 7 l/min at 3 bar flow pressure
- lead-free

polished chrome	36 880 625-00
platinum matt	36 880 625-06
platinum	36 880 625-08
brushed Durabrass	36 880 625-28
Dark Platinum matt	36 880 625-99



Required miscellaneous

Concealed wall-mounted single-lever mixer on right

- min. recess depth 80 mm
- max. recess depth 95 mm

For details and miscellaneous, see page 110

Concealed rough parts	35 860 970 90
-----------------------	---------------



Required miscellaneous

Concealed wall-mounted single-lever mixer on right

NOTE: Not suitable for concealed installation. Connection by means of angle valves, mounted with screws to back wall.

For details and miscellaneous, see page 111

Concealed rough parts	35 816 970 90
-----------------------	---------------

36 881 625



Wall-mounted mixer with individual rosettes

- 302 mm projection
- pivoting spout
- air-enriched flow
- max. flow 7 l/min at 3 bar flow pressure
- lead-free

polished chrome	36 881 625-00
platinum matt	36 881 625-06
platinum	36 881 625-08
brushed Durabrass	36 881 625-28
Dark Platinum matt	36 881 625-99



Required miscellaneous

Concealed wall-mounted single-lever mixer on right

- min. recess depth 80 mm
- max. recess depth 95 mm

For details and miscellaneous, see page 110

Concealed rough parts	35 860 970 90
-----------------------	---------------



Required miscellaneous

Concealed wall-mounted single-lever mixer on right

NOTE: Not suitable for concealed installation. Connection by means of angle valves, mounted with screws to back wall.

For details and miscellaneous, see page 111

Concealed rough parts	35 816 970 90
-----------------------	---------------

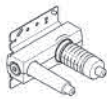
36 882 625



Wall-mounted mixer with individual rosettes with extending spout

- 325 mm projection
- pivoting spout
- air-enriched flow
- max. flow 7 l/min at 3 bar flow pressure
- lead-free

polished chrome	36 882 625-00
platinum matt	36 882 625-06
platinum	36 882 625-08
brushed Durabronz	36 882 625-28
Dark Platinum matt	36 882 625-99



Required miscellaneous

Concealed wall-mounted single-lever mixer mixer on right

- min. recess depth 80 mm
- max. recess depth 95 mm

For details and miscellaneous, see page 110

Concealed rough parts	35 860 970 90
-----------------------	----------------------



Required miscellaneous

Concealed wall-mounted single-lever mixer mixer on right

NOTE: Not suitable for concealed installation. Connection by means of angle valves, mounted with screws to back wall.

For details and miscellaneous, see page 111

Concealed rough parts	35 816 970 90
-----------------------	----------------------

Sync

Sieger Design



Detailed product information, appropriate files, dimensioned drawings and 3D objects can be found online at www.dornbracht.com.

33 875 895



Single-lever mixer Pull-down with spray function

- 240 mm projection
- pivotable spout 360°
- optional limiting, pivoting 110°
- laminar and spray flow
- 1800 mm metal shower hose
- sprayface with anti-scaling system
- max. flow 10.4 l/min at 3 bar flow pressure
- lead-free

Intrinsic protection against back flow.

polished chrome	33 875 895-00
platinum matt	33 875 895-06
platinum	33 875 895-08
brushed Durabrass	33 875 895-28
Dark Platinum matt	33 875 895-99



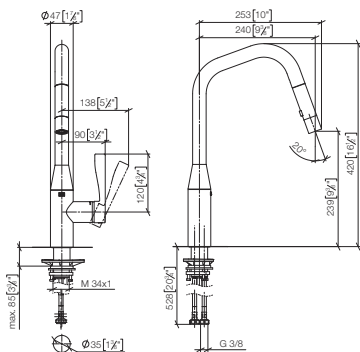
Recommended miscellaneous

Dispenser without rosette	polished chrome	82 424 970-00
For details and miscellaneous, see page 103	platinum matt	82 424 970-06
	platinum	82 424 970-08
	brushed Durabrass	82 424 970-28
	Dark Platinum matt	82 424 970-99



Recommended miscellaneous

Strainer waste with control handle	polished chrome	10 712 970-00
For details and miscellaneous, see page 104	platinum matt	10 712 970-06
	platinum	10 712 970-08
	brushed Durabrass	10 712 970-28
	Dark Platinum matt	10 712 970-99



33 870 895



Single-lever mixer Pull-down with spray function

- 240 mm projection
- pivotable spout 360°
- optional limiting, pivoting 110°
- laminar and spray flow
- 1800 mm metal shower hose
- sprayface with anti-scaling system
- max. flow 10.4 l/min at 3 bar flow pressure
- lead-free

Intrinsic protection against back flow.

polished chrome	33 870 895-00
platinum matt	33 870 895-06
platinum	33 870 895-08
brushed Durabrass	33 870 895-28
Dark Platinum matt	33 870 895-99



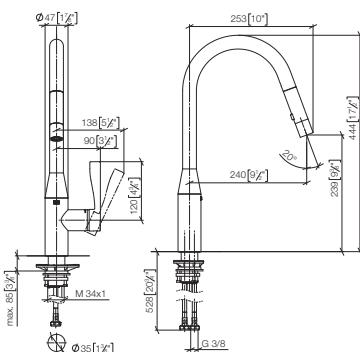
Recommended miscellaneous

Dispenser without rosette	polished chrome	82 424 970-00
For details and miscellaneous, see page 103	platinum matt	82 424 970-06
	platinum	82 424 970-08
	brushed Durabrass	82 424 970-28
	Dark Platinum matt	82 424 970-99



Recommended miscellaneous

Strainer waste with control handle	polished chrome	10 712 970-00
For details and miscellaneous, see page 104	platinum matt	10 712 970-06
	platinum	10 712 970-08
	brushed Durabrass	10 712 970-28
	Dark Platinum matt	10 712 970-99

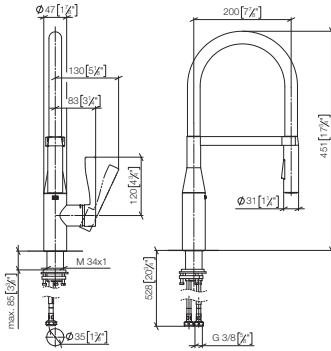


Profi single-lever mixer

- **200 mm projection**
- Flexible silicone hose with large operating range of up to 350 mm
- pivotable 360°
- optional limiting, pivoting 110°
- air-enriched flow and spray flow
- sprayface with anti-scaling system
- max. flow 9.5 l/min at 3 bar flow pressure
- lead-free

Intrinsic protection against back flow.

polished chrome	33 865 895-00
platinum matt	33 865 895-06
platinum	33 865 895-08
brushed Durabronz	33 865 895-28
Dark Platinum matt	33 865 895-99



Recommended miscellaneous

Dispenser without rosette

For details and miscellaneous, see page 103

polished chrome	82 424 970-00
platinum matt	82 424 970-06
platinum	82 424 970-08
brushed Durabronz	82 424 970-28
Dark Platinum matt	82 424 970-99



Recommended miscellaneous

Strainer waste with control handle

For details and miscellaneous, see page 104

polished chrome	10 712 970-00
platinum matt	10 712 970-06
platinum	10 712 970-08
brushed Durabronz	10 712 970-28
Dark Platinum matt	10 712 970-99

Tara.

Sieger Design



Detailed product information, appropriate files, dimensioned drawings and 3D objects can be found online at www.dornbracht.com.

22 815 892



Single-hole mixer

- 235 mm projection
- pivotable spout 360°
- air-enriched flow
- max. flow 7 l/min at 3 bar flow pressure
- lead-free

polished chrome	22 815 892-00
platinum matt	22 815 892-06
platinum	22 815 892-08
brushed Durabronz	22 815 892-28
Dark Platinum matt	22 815 892-99



Recommended miscellaneous

Dispenser with rosette

For details and miscellaneous, see page 102

polished chrome	82 434 970-00
platinum matt	82 434 970-06
platinum	82 434 970-08
brushed Durabronz	82 434 970-28
Dark Platinum matt	82 434 970-99

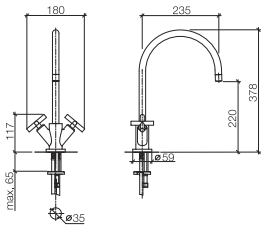


Recommended miscellaneous

Strainer waste with control handle

For details and miscellaneous, see page 103

polished chrome	10 710 970-00
platinum matt	10 710 970-06
platinum	10 710 970-08
brushed Durabronz	10 710 970-28
Dark Platinum matt	10 710 970-99



20 815 892



Three-hole mixer

- 235 mm projection
- pivotable spout 360°
- air-enriched flow
- max. flow 7 l/min at 3 bar flow pressure
- lead-free

polished chrome	20 815 892-00
platinum matt	20 815 892-06
platinum	20 815 892-08
brushed Durabronz	20 815 892-28
Dark Platinum matt	20 815 892-99



Recommended miscellaneous

Dispenser with rosette

For details and miscellaneous, see page 102

polished chrome	82 434 970-00
platinum matt	82 434 970-06
platinum	82 434 970-08
brushed Durabronz	82 434 970-28
Dark Platinum matt	82 434 970-99

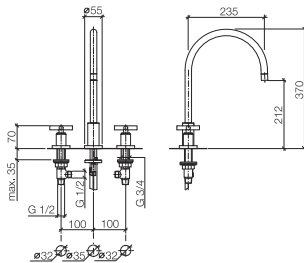


Recommended miscellaneous

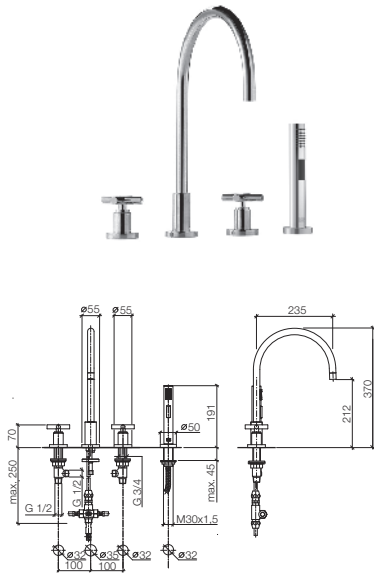
Strainer waste with control handle

For details and miscellaneous, see page 103

polished chrome	10 710 970-00
platinum matt	10 710 970-06
platinum	10 710 970-08
brushed Durabronz	10 710 970-28
Dark Platinum matt	10 710 970-99



20 815 892 + 27 721 970



Three-hole mixer with rinsing spray set

- 235 mm projection
- pivotable spout 360°
- air-enriched flow and spray flow
- fabric braided hose 1500 mm
- automatic spout/shower diverter
- sprayface with anti-scaling system
- max. flow 7 l/min at 3 bar flow pressure
- lead-free

Intrinsic protection against back flow.

polished chrome	1x 20 815 892-00
	1x 27 721 970-00
platinum matt	1x 20 815 892-06
	1x 27 721 970-06
platinum	1x 20 815 892-08
	1x 27 721 970-08
brushed Durabrass	1x 20 815 892-28
	1x 27 721 970-28
Dark Platinum matt	1x 20 815 892-99
	1x 27 721 970-99



Recommended miscellaneous

Dispenser with rosette

For details and miscellaneous, see page 102

polished chrome	82 434 970-00
platinum matt	82 434 970-06
platinum	82 434 970-08
brushed Durabrass	82 434 970-28
Dark Platinum matt	82 434 970-99



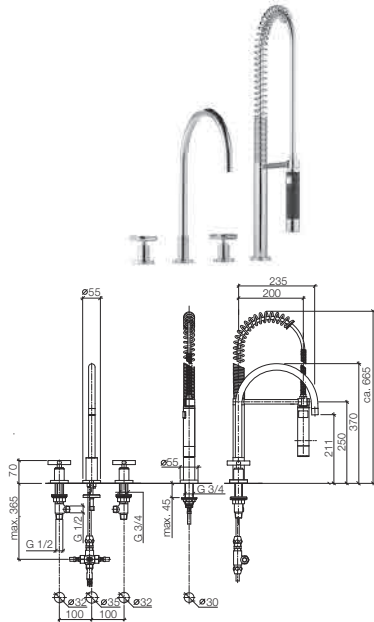
Recommended miscellaneous

Strainer waste with control handle

For details and miscellaneous, see page 103

polished chrome	10 710 970-00
platinum matt	10 710 970-06
platinum	10 710 970-08
brushed Durabrass	10 710 970-28
Dark Platinum matt	10 710 970-99

20 815 892 + 27 789 970



Three-hole mixer with profi spray set

- 235 mm projection
- pivotable spout 360°
- air-enriched flow and spray flow
- automatic spout/shower diverter
- sprayface with anti-scaling system
- max. flow 7 l/min at 3 bar flow pressure
- lead-free

Intrinsic protection against back flow.

polished chrome	1x 20 815 892-00
	1x 27 789 970-00
platinum matt	1x 20 815 892-06
	1x 27 789 970-06
platinum	1x 20 815 892-08
	1x 27 789 970-08



Recommended miscellaneous

Dispenser with rosette

For details and miscellaneous, see page 102

polished chrome	82 434 970-00
platinum matt	82 434 970-06
platinum	82 434 970-08



Recommended miscellaneous

Strainer waste with control handle

For details and miscellaneous, see page 103

polished chrome	10 710 970-00
platinum matt	10 710 970-06
platinum	10 710 970-08

20 815 882

Three-hole mixer

- 235 mm projection
- pivotable spout 360°
- air-enriched flow
- max. flow 7 l/min at 3 bar flow pressure
- lead-free

polished chrome	20 815 882-00
platinum matt	20 815 882-06
platinum	20 815 882-08
brushed Durabronz	20 815 882-28
Dark Platinum matt	20 815 882-99

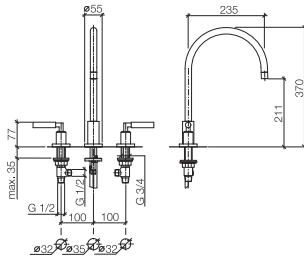


Recommended miscellaneous

Dispenser with rosette

For details and miscellaneous, see page 102

polished chrome	82 434 970-00
platinum matt	82 434 970-06
platinum	82 434 970-08
brushed Durabronz	82 434 970-28
Dark Platinum matt	82 434 970-99



Recommended miscellaneous

Strainer waste with control handle

For details and miscellaneous, see page 103

polished chrome	10 710 970-00
platinum matt	10 710 970-06
platinum	10 710 970-08
brushed Durabronz	10 710 970-28
Dark Platinum matt	10 710 970-99

20 815 882 + 27 721 970

Three-hole mixer with rinsing spray set

- 235 mm projection
- pivotable spout 360°
- air-enriched flow and spray flow
- fabric braided hose 1500 mm
- automatic spout/shower diverter
- sprayface with anti-scaling system
- max. flow 7 l/min at 3 bar flow pressure
- lead-free

Intrinsic protection against back flow.

polished chrome	1x 20 815 882-00
	1x 27 721 970-00
platinum matt	1x 20 815 882-06
	1x 27 721 970-06
platinum	1x 20 815 882-08
	1x 27 721 970-08
brushed Durabronz	1x 20 815 882-28
	1x 27 721 970-28
Dark Platinum matt	1x 20 815 882-99
	1x 27 721 970-99

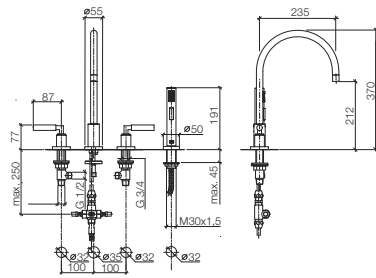


Recommended miscellaneous

Dispenser with rosette

For details and miscellaneous, see page 102

polished chrome	82 434 970-00
platinum matt	82 434 970-06
platinum	82 434 970-08
brushed Durabronz	82 434 970-28
Dark Platinum matt	82 434 970-99



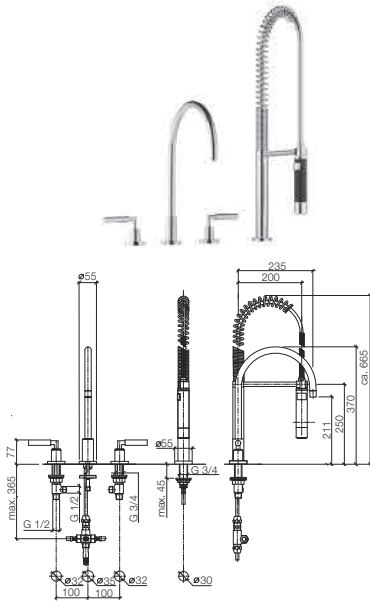
Recommended miscellaneous

Strainer waste with control handle

For details and miscellaneous, see page 103

polished chrome	10 710 970-00
platinum matt	10 710 970-06
platinum	10 710 970-08
brushed Durabronz	10 710 970-28
Dark Platinum matt	10 710 970-99

20 815 882 + 27 789 970



Three-hole mixer with profi spray set

- 235 mm projection
- pivotable spout 360°
- air-enriched flow and spray flow
- automatic spout/shower diverter
- sprayface with anti-scaling system
- max. flow 7 l/min at 3 bar flow pressure
- lead-free

Intrinsic protection against back flow.

polished chrome	1x 20 815 882-00
	1x 27 789 970-00
platinum matt	1x 20 815 882-06
	1x 27 789 970-06
platinum	1x 20 815 882-08
	1x 27 789 970-08



Recommended miscellaneous

Dispenser with rosette

For details and miscellaneous, see page 102

polished chrome	82 434 970-00
platinum matt	82 434 970-06
platinum	82 434 970-08



Recommended miscellaneous

Strainer waste with control handle

For details and miscellaneous, see page 103

polished chrome	10 710 970-00
platinum matt	10 710 970-06
platinum	10 710 970-08

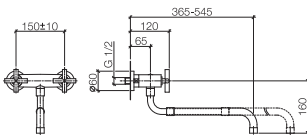
31 151 892



Wall-mounted bridge mixer with extending spout

- 365-545 mm projection
- pivoting spout
- laminar flow
- 1/2" connection
- max. flow 8.3 l/min at 3 bar flow pressure
- lead-free

polished chrome	31 151 892-00
platinum matt	31 151 892-06
platinum	31 151 892-08
brushed Durabronz	31 151 892-28
Dark Platinum matt	31 151 892-99



36 818 892

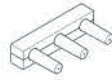


Wall-mounted sink mixer

- 300 mm projection
- pivoting spout
- air-enriched flow
- max. flow 5.7 l/min at 3 bar flow pressure
- lead-free

polished chrome	36 818 892-00
platinum matt	36 818 892-06
platinum	36 818 892-08
brushed Durabross	36 818 892-28
Dark Platinum matt	36 818 892-99

Required miscellaneous



Concealed wall-mounted mixer spout on left

- min. recess depth 65 mm
- max. recess depth 130 mm

For details and miscellaneous, see page 112

Concealed rough parts	35 713 970 90
-----------------------	----------------------

Required miscellaneous



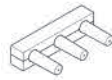
Concealed wall-mounted mixer Centred spout

- min. recess depth 70 mm
- max. recess depth 135 mm

For details and miscellaneous, see page 112

Concealed rough parts	35 707 970 90
-----------------------	----------------------

Required miscellaneous



Concealed wall-mounted mixer spout on right

- min. recess depth 65 mm
- max. recess depth 130 mm

For details and miscellaneous, see page 113

Concealed rough parts	35 714 970 90
-----------------------	----------------------

Required miscellaneous

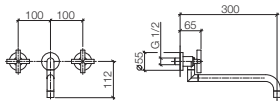


Concealed wall-mounted mixer variable positioning

- min. recess depth 65 mm
- max. recess depth 130 mm

For details and miscellaneous, see page 113

Concealed rough parts	35 712 970 90
-----------------------	----------------------



Designs

36 819 892

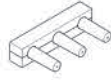


Wall-mounted sink mixer with extending spout

- 325-495 mm projection
- pivoting spout
- laminar flow
- max. flow 19.9 l/min at 3 bar flow pressure
- lead-free

polished chrome	36 819 892-00
platinum matt	36 819 892-06
platinum	36 819 892-08
brushed Durabrass	36 819 892-28
Dark Platinum matt	36 819 892-99

Required miscellaneous



Concealed wall-mounted mixer spout on left

- min. recess depth 65 mm
- max. recess depth 130 mm

For details and miscellaneous, see page 112

Concealed rough parts	35 713 970 90
-----------------------	----------------------

Required miscellaneous



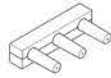
Concealed wall-mounted mixer Centred spout

- min. recess depth 70 mm
- max. recess depth 135 mm

For details and miscellaneous, see page 112

Concealed rough parts	35 707 970 90
-----------------------	----------------------

Required miscellaneous



Concealed wall-mounted mixer spout on right

- min. recess depth 65 mm
- max. recess depth 130 mm

For details and miscellaneous, see page 113

Concealed rough parts	35 714 970 90
-----------------------	----------------------

Required miscellaneous

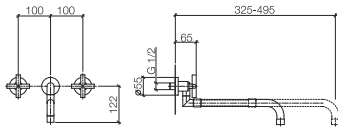


Concealed wall-mounted mixer variable positioning

- min. recess depth 65 mm
- max. recess depth 130 mm

For details and miscellaneous, see page 113

Concealed rough parts	35 712 970 90
-----------------------	----------------------



Tara Classic

Sieger Design



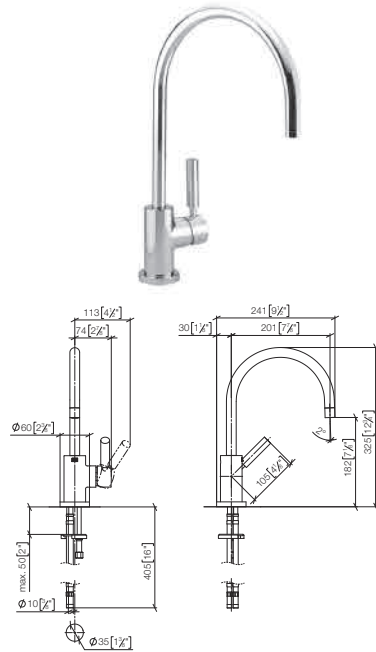
Detailed product information, appropriate files, dimensioned drawings and 3D objects can be found online at www.dornbracht.com.

33 800 888

Single-lever mixer

- 201 mm projection
- pivotable spout 360°
- air-enriched flow
- max. flow 7 l/min at 3 bar flow pressure
- lead-free

polished chrome	33 800 888-00
platinum matt	33 800 888-06
platinum	33 800 888-08
brushed Durabronz	33 800 888-28
Dark Platinum matt	33 800 888-99



Recommended miscellaneous

Dispenser with rosette

For details and miscellaneous, see page 102

polished chrome	82 434 970-00
platinum matt	82 434 970-06
platinum	82 434 970-08
brushed Durabronz	82 434 970-28
Dark Platinum matt	82 434 970-99



Recommended miscellaneous

Strainer waste with control handle

For details and miscellaneous, see page 103

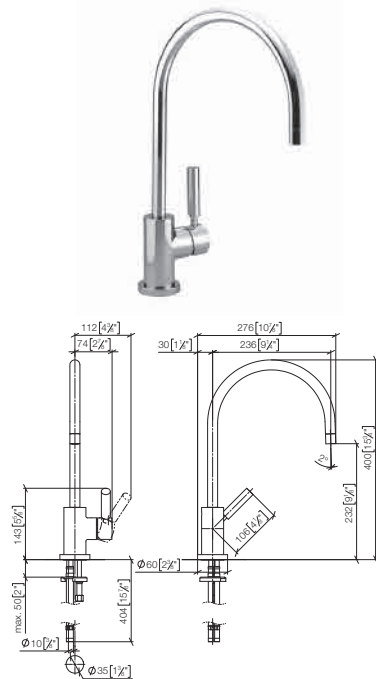
polished chrome	10 710 970-00
platinum matt	10 710 970-06
platinum	10 710 970-08
brushed Durabronz	10 710 970-28
Dark Platinum matt	10 710 970-99

33 815 888

Single-lever mixer

- 236 mm projection
- pivotable spout 360°
- air-enriched flow
- max. flow 7 l/min at 3 bar flow pressure
- lead-free

polished chrome	33 815 888-00
platinum matt	33 815 888-06
platinum	33 815 888-08
brushed Durabronz	33 815 888-28
Dark Platinum matt	33 815 888-99



Recommended miscellaneous

Dispenser with rosette

For details and miscellaneous, see page 102

polished chrome	82 434 970-00
platinum matt	82 434 970-06
platinum	82 434 970-08
brushed Durabronz	82 434 970-28
Dark Platinum matt	82 434 970-99



Recommended miscellaneous

Strainer waste with control handle

For details and miscellaneous, see page 103

polished chrome	10 710 970-00
platinum matt	10 710 970-06
platinum	10 710 970-08
brushed Durabronz	10 710 970-28
Dark Platinum matt	10 710 970-99

33 826 888 + 27 721 970

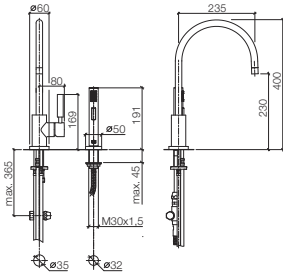


Single-lever mixer with rinsing spray set

- 235 mm projection
- pivotable spout 360°
- air-enriched flow and spray flow
- fabric braided hose 1500 mm
- automatic spout/shower diverter
- sprayface with anti-scaling system
- max. flow 7 l/min at 3 bar flow pressure
- lead-free

Intrinsic protection against back flow.

polished chrome	1x 33 826 888-00
	1x 27 721 970-00
platinum matt	1x 33 826 888-06
	1x 27 721 970-06
platinum	1x 33 826 888-08
	1x 27 721 970-08
brushed Durabross	1x 33 826 888-28
	1x 27 721 970-28
Dark Platinum matt	1x 33 826 888-99
	1x 27 721 970-99



Recommended miscellaneous

Dispenser with rosette

For details and miscellaneous, see page 102

polished chrome	82 434 970-00
platinum matt	82 434 970-06
platinum	82 434 970-08
brushed Durabross	82 434 970-28
Dark Platinum matt	82 434 970-99



Recommended miscellaneous

Strainer waste with control handle

For details and miscellaneous, see page 103

polished chrome	10 710 970-00
platinum matt	10 710 970-06
platinum	10 710 970-08
brushed Durabross	10 710 970-28
Dark Platinum matt	10 710 970-99

33 826 888 + 27 789 970

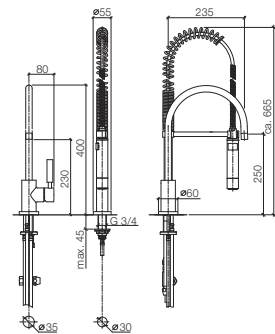


Single-lever mixer with profi spray set

- 235 mm projection
- pivotable spout 360°
- air-enriched flow and spray flow
- automatic spout/shower diverter
- sprayface with anti-scaling system
- max. flow 7 l/min at 3 bar flow pressure
- lead-free

Intrinsic protection against back flow.

polished chrome	1x 33 826 888-00
	1x 27 789 970-00
platinum matt	1x 33 826 888-06
	1x 27 789 970-06
platinum	1x 33 826 888-08
	1x 27 789 970-08



Recommended miscellaneous

Dispenser with rosette

For details and miscellaneous, see page 102

polished chrome	82 434 970-00
platinum matt	82 434 970-06
platinum	82 434 970-08



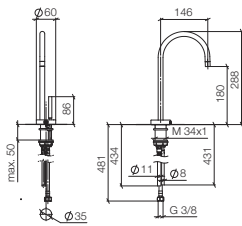
Recommended miscellaneous

Strainer waste with control handle

For details and miscellaneous, see page 103

polished chrome	10 710 970-00
platinum matt	10 710 970-06
platinum	10 710 970-08

17 861 888



HOT & COLD WATER DISPENSER

- 146 mm projection
- rigid, thermally insulated spout
- laminar flow
- provides filtered, hot water up to 93°C
- provides filtered, cold water
- max. flow 2 l/min at 3 bar flow pressure
- ready-to-use control unit for wall mounting (135mm x 160mm x 60mm)
- electronic magnetic valve
- 100-230 V, 50-60 Hz, 18 W power supply unit, incl. country-specific adapter set
- lead-free

A minimum flow pressure of 3 bar is necessary for the HOT & COLD WATER DISPENSER to work perfectly in conjunction with a hot water tank and filter.

In addition, the installation must be above a kitchen sink.

The filter cartridge must be changed every six months. The installation instructions contain further information for guidance.

Detailed planning information and technical data can be found at www.dornbracht.com/professional

polished chrome	17 861 888-00
platinum matt	17 861 888-06
platinum	17 861 888-08
brushed Durabronz	17 861 888-28
Dark Platinum matt	17 861 888-99

Required miscellaneous

	Hot water tank incl. filter	12 892 970 90
---	------------------------------------	---------------

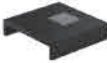
For details and miscellaneous, see page 025

Recommended miscellaneous

	Single sink	matt high-grade steel	38 001 000-86
--	--------------------	-----------------------	---------------

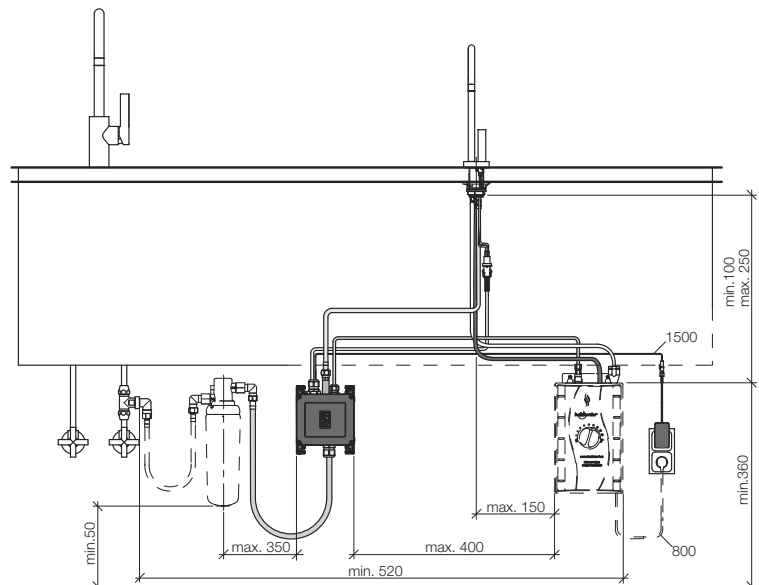
- 210 x 405 mm
- installation, on top or flush

Recommended miscellaneous

	DRINKING PLATE	black	84 710 000-13
---	-----------------------	-------	---------------

- for placing in the single sink

For details and miscellaneous, see page 106



33 880 888



Profi single-lever mixer

- 200 mm projection
- pivotable spout 360°
- air-enriched flow and spray flow
- sprayface with anti-scaling system
- max. flow 7 l/min at 3 bar flow pressure
- lead-free

Intrinsic protection against back flow.

polished chrome	33 880 888-00
platinum matt	33 880 888-06
platinum	33 880 888-08



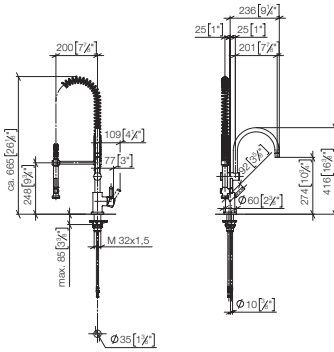
Recommended miscellaneous

Dispenser with rosette	polished chrome	82 434 970-00
For details and miscellaneous, see page 102	platinum matt	82 434 970-06
	platinum	82 434 970-08



Recommended miscellaneous

Strainer waste with control handle	polished chrome	10 710 970-00
For details and miscellaneous, see page 103	platinum matt	10 710 970-06
	platinum	10 710 970-08



33 880 889



Profi single-lever mixer with lever on left

- 200 mm projection
- pivotable spout 360°
- air-enriched flow and spray flow
- sprayface with anti-scaling system
- max. flow 7 l/min at 3 bar flow pressure
- lead-free

Intrinsic protection against back flow.

polished chrome	33 880 889-00
platinum matt	33 880 889-06
platinum	33 880 889-08



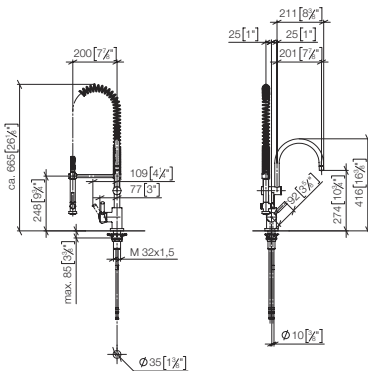
Recommended miscellaneous

Dispenser with rosette	polished chrome	82 434 970-00
For details and miscellaneous, see page 102	platinum matt	82 434 970-06
	platinum	82 434 970-08



Recommended miscellaneous

Strainer waste with control handle	polished chrome	10 710 970-00
For details and miscellaneous, see page 103	platinum matt	10 710 970-06
	platinum	10 710 970-08



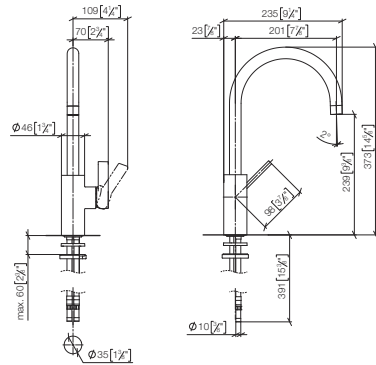
Tara Ultra

Sieger Design



Detailed product information, appropriate files, dimensioned drawings and 3D objects can be found online at www.dornbracht.com.

33 800 875



Single-lever mixer

- 201 mm projection
- pivotable spout 360°
- air-enriched flow
- max. flow 8 l/min at 3 bar flow pressure
- lead-free

polished chrome	33 800 875-00
platinum matt	33 800 875-06
platinum	33 800 875-08
brushed Durabronz	33 800 875-28
Dark Platinum matt	33 800 875-99



Recommended miscellaneous

Dispenser without rosette

For details and miscellaneous, see page 103

polished chrome	82 424 970-00
platinum matt	82 424 970-06
platinum	82 424 970-08
brushed Durabronz	82 424 970-28
Dark Platinum matt	82 424 970-99



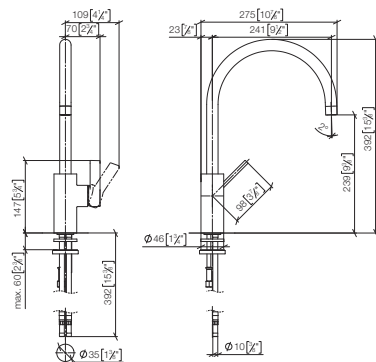
Recommended miscellaneous

Strainer waste with control handle

For details and miscellaneous, see page 104

polished chrome	10 712 970-00
platinum matt	10 712 970-06
platinum	10 712 970-08
brushed Durabronz	10 712 970-28
Dark Platinum matt	10 712 970-99

33 816 875



Single-lever mixer

- 241 mm projection
- pivotable spout 360°
- air-enriched flow
- max. flow 8 l/min at 3 bar flow pressure
- lead-free

polished chrome	33 816 875-00
platinum matt	33 816 875-06
platinum	33 816 875-08
brushed Durabronz	33 816 875-28
Dark Platinum matt	33 816 875-99



Recommended miscellaneous

Dispenser without rosette

For details and miscellaneous, see page 103

polished chrome	82 424 970-00
platinum matt	82 424 970-06
platinum	82 424 970-08
brushed Durabronz	82 424 970-28
Dark Platinum matt	82 424 970-99



Recommended miscellaneous

Strainer waste with control handle

For details and miscellaneous, see page 104

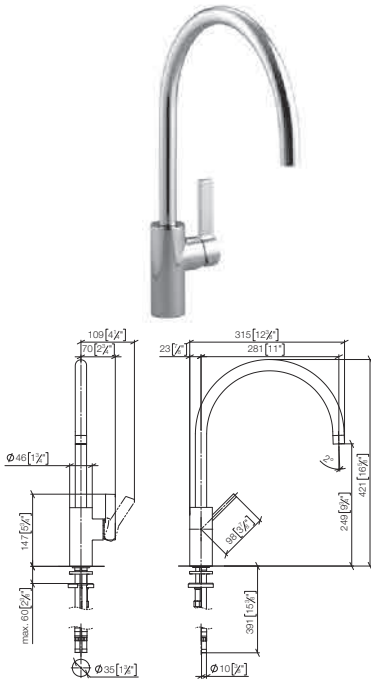
polished chrome	10 712 970-00
platinum matt	10 712 970-06
platinum	10 712 970-08
brushed Durabronz	10 712 970-28
Dark Platinum matt	10 712 970-99

33 818 875

Single-lever mixer

- 281 mm projection
- pivotable spout 360°
- air-enriched flow
- max. flow 8 l/min at 3 bar flow pressure
- lead-free

polished chrome	33 818 875-00
platinum matt	33 818 875-06
platinum	33 818 875-08
brushed Durabronz	33 818 875-28
Dark Platinum matt	33 818 875-99



Recommended miscellaneous

Dispenser without rosette

For details and miscellaneous, see page 103

polished chrome	82 424 970-00
platinum matt	82 424 970-06
platinum	82 424 970-08
brushed Durabronz	82 424 970-28
Dark Platinum matt	82 424 970-99



Recommended miscellaneous

Strainer waste with control handle

For details and miscellaneous, see page 104

polished chrome	10 712 970-00
platinum matt	10 712 970-06
platinum	10 712 970-08
brushed Durabronz	10 712 970-28
Dark Platinum matt	10 712 970-99

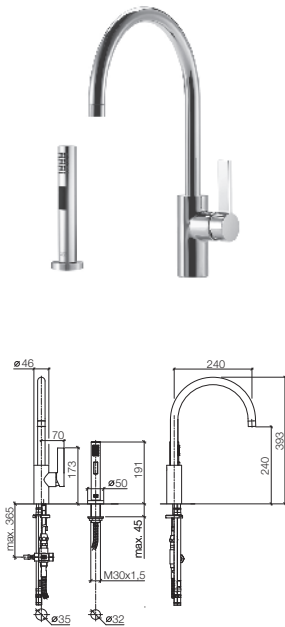
33 826 875 + 27 721 970

Single-lever mixer with rinsing spray set

- 241 mm projection
- pivotable spout 360°
- air-enriched flow and spray flow
- automatic spout/shower diverter
- fabric braided hose 1500 mm
- sprayface with anti-scaling system
- max. flow 8 l/min at 3 bar flow pressure
- lead-free

Intrinsic protection against back flow.

polished chrome	1x 33 826 875-00
	1x 27 721 970-00
platinum matt	1x 33 826 875-06
	1x 27 721 970-06
platinum	1x 33 826 875-08
	1x 27 721 970-08
brushed Durabronz	1x 33 826 875-28
	1x 27 721 970-28
Dark Platinum matt	1x 33 826 875-99
	1x 27 721 970-99



Recommended miscellaneous

Dispenser with rosette

For details and miscellaneous, see page 102

polished chrome	82 434 970-00
platinum matt	82 434 970-06
platinum	82 434 970-08
brushed Durabronz	82 434 970-28
Dark Platinum matt	82 434 970-99



Recommended miscellaneous

Strainer waste with control handle

For details and miscellaneous, see page 103

polished chrome	10 710 970-00
platinum matt	10 710 970-06
platinum	10 710 970-08
brushed Durabronz	10 710 970-28
Dark Platinum matt	10 710 970-99



HOT & COLD WATER DISPENSER

- 146 mm projection
- rigid, thermally insulated spout
- laminar flow
- provides filtered, hot water up to 93°C
- provides filtered, cold water
- max. flow 2 l/min at 3 bar flow pressure
- ready-to-use control unit for wall mounting (135mm x 160mm x 60mm)
- electronic magnetic valve
- 100-230 V, 50-60 Hz, 18 W power supply unit, incl. country-specific adapter set
- lead-free

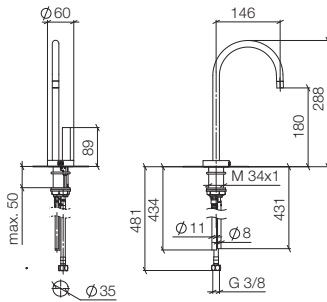
polished chrome	17 861 875-00
platinum matt	17 861 875-06
platinum	17 861 875-08
brushed Durabronz	17 861 875-28
Dark Platinum matt	17 861 875-99

A minimum flow pressure of 3 bar is necessary for the HOT & COLD WATER DISPENSER to work perfectly in conjunction with a hot water tank and filter.

In addition, the installation must be above a kitchen sink.

The filter cartridge must be changed every six months. The installation instructions contain further information for guidance.

Detailed planning information and technical data can be found at www.dornbracht.com/professional



Required miscellaneous

Hot water tank incl. filter

12 892 970 90

For details and miscellaneous, see page 025



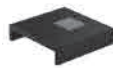
Recommended miscellaneous

Single sink

matt high-grade steel

38 001 000-86

- 210 x 405 mm
- installation, on top or flush



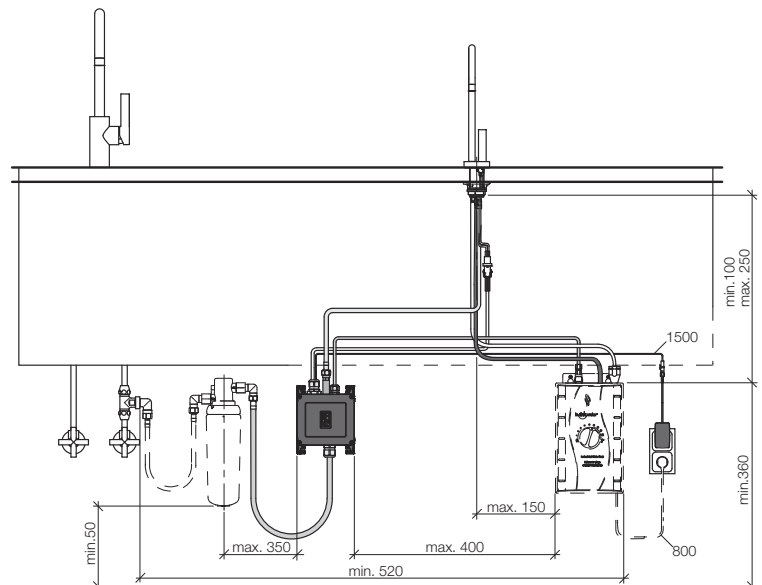
Recommended miscellaneous

DRINKING PLATE

black

84 710 000-13

- for placing in the single sink
- For details and miscellaneous, see page 106

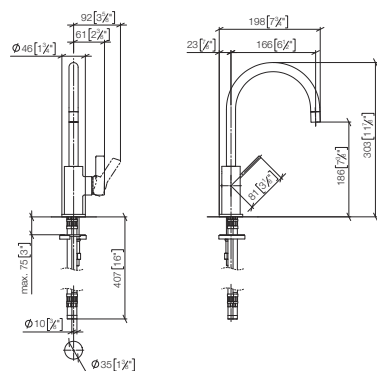


33 805 875

BAR TAP Single-lever mixer

- 166 mm projection
- pivotable spout 360°
- laminar flow
- max. flow 8 l/min at 3 bar flow pressure
- lead-free

polished chrome	33 805 875-00
platinum matt	33 805 875-06
platinum	33 805 875-08
brushed Durabronz	33 805 875-28
Dark Platinum matt	33 805 875-99



Recommended miscellaneous

Dispenser without rosette

For details and miscellaneous, see page 103

polished chrome	82 424 970-00
platinum matt	82 424 970-06
platinum	82 424 970-08
brushed Durabronz	82 424 970-28
Dark Platinum matt	82 424 970-99



Recommended miscellaneous

Strainer waste with control handle

For details and miscellaneous, see page 104

polished chrome	10 712 970-00
platinum matt	10 712 970-06
platinum	10 712 970-08
brushed Durabronz	10 712 970-28
Dark Platinum matt	10 712 970-99

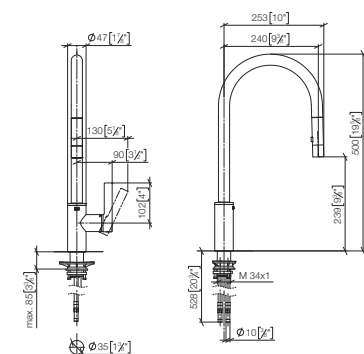
33 870 875

Single-lever mixer Pull-down with spray function

- 240 mm projection
- pivotable spout 360°
- optional limiting, pivoting 110°
- laminar and spray flow
- 1800 mm metal shower hose
- sprayface with anti-scaling system
- max. flow 10.4 l/min at 3 bar flow pressure
- lead-free

Intrinsic protection against back flow.

polished chrome	33 870 875-00
platinum matt	33 870 875-06
platinum	33 870 875-08
brushed Durabronz	33 870 875-28
Dark Platinum matt	33 870 875-99



Recommended miscellaneous

Dispenser without rosette

For details and miscellaneous, see page 103

polished chrome	82 424 970-00
platinum matt	82 424 970-06
platinum	82 424 970-08
brushed Durabronz	82 424 970-28
Dark Platinum matt	82 424 970-99



Recommended miscellaneous

Strainer waste with control handle

For details and miscellaneous, see page 104

polished chrome	10 712 970-00
platinum matt	10 712 970-06
platinum	10 712 970-08
brushed Durabronz	10 712 970-28
Dark Platinum matt	10 712 970-99

33 860 875

Profi single-lever mixer

- 240 mm projection
- pivotable 360°
- air-enriched flow and spray flow
- sprayface with anti-scaling system
- max. flow 8 l/min at 3 bar flow pressure
- lead-free

polished chrome	33 860 875-00
platinum matt	33 860 875-06
platinum	33 860 875-08



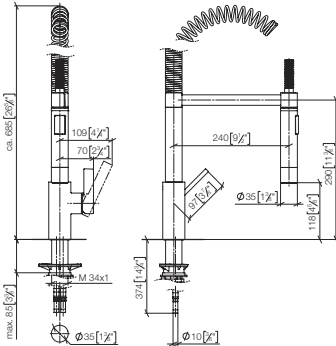
Recommended miscellaneous

Dispenser without rosette	polished chrome	82 424 970-00
For details and miscellaneous, see page 103	platinum matt	82 424 970-06
	platinum	82 424 970-08



Recommended miscellaneous

Strainer waste with control handle	polished chrome	10 712 970-00
For details and miscellaneous, see page 104	platinum matt	10 712 970-06
	platinum	10 712 970-08



33 845 875

PIVOT Single-lever mixer

- 552 mm projection
- pivotable spout 360°
- air-enriched flow
- max. flow 8 l/min at 3 bar flow pressure
- lead-free

polished chrome	33 845 875-00
platinum matt	33 845 875-06
platinum	33 845 875-08
brushed Durabass	33 845 875-28
Dark Platinum matt	33 845 875-99



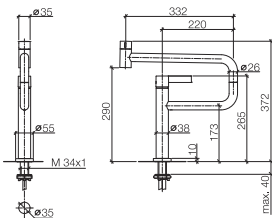
Recommended miscellaneous

Dispenser with rosette	polished chrome	82 434 970-00
For details and miscellaneous, see page 102	platinum matt	82 434 970-06
	platinum	82 434 970-08
	brushed Durabass	82 434 970-28
	Dark Platinum matt	82 434 970-99

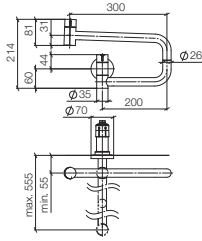


Recommended miscellaneous

Strainer waste with control handle	polished chrome	10 710 970-00
For details and miscellaneous, see page 103	platinum matt	10 710 970-06
	platinum	10 710 970-08
	brushed Durabass	10 710 970-28
	Dark Platinum matt	10 710 970-99



30 805 875



POT FILLER Cold-water valve

- 500 mm projection
- pivoting spout
- laminar flow
- max. flow 5.7 l/min at 3 bar flow pressure
- lead-free

polished chrome	30 805 875-00
platinum matt	30 805 875-06
platinum	30 805 875-08
brushed Durabronz	30 805 875-28
Dark Platinum matt	30 805 875-99



Required miscellaneous

POT FILLER Concealed wall elbow

- min. recess depth 80 mm
- max. recess depth 125 mm

For details and miscellaneous, see page 110

Concealed rough parts	35 087 970 90
-----------------------	---------------



Recommended miscellaneous

Aerator laminar with slit M24x1

- to increase flow rate to 11 l/min at 3 bar flow pressure

polished chrome	90 23 01 026 03-00
platinum matt	90 23 01 026 03-06
platinum	90 23 01 026 03-08
brushed Durabronz	90 23 01 026 03-28
Dark Platinum matt	90 23 01 026 03-99

Brushed stainless steel kitchen sinks

Sieger Design



Double Units

from page 082

Single Units

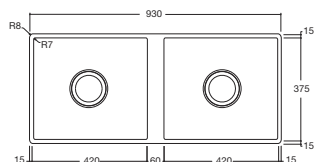
from page 084

Cutting Boards

page 088

Detailed product information, appropriate files, dimensioned drawings and 3D objects can be found online at www.dornbracht.com.

38 531 000



Double sink

- installation, on top or flush
- 930 x 405 mm
- sink depth 200 / 200mm
- 3 1/2" closable strainer basket valve
- 3 1/2" non-lockable strainer basket valve
- complete pop-up waste and overflow set with valve bridge
- attachment set
- suitable for base units 1200 mm

matt high-grade steel 38 531 000-86

Strainer waste not included in the scope of supply.



Recommended miscellaneous

Cutting board

black 84 700 000-13

- for placing on
- For details and miscellaneous, see page 088



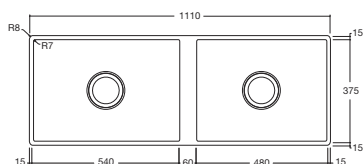
Recommended miscellaneous

Cutting board

oak 84 700 000-48

- for placing on
- For details and miscellaneous, see page 088

38 541 000



Double sink

- installation, on top or flush
- 1110 x 405 mm
- sink depth 200 / 200mm
- 3 1/2" closable strainer basket valve
- 3 1/2" non-lockable strainer basket valve
- complete pop-up waste and overflow set with valve bridge
- attachment set
- suitable for base units 1200 mm

matt high-grade steel 38 541 000-86

Strainer waste not included in the scope of supply.



Recommended miscellaneous

Cutting board

black 84 700 000-13

- for placing on
- For details and miscellaneous, see page 088



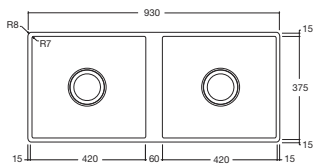
Recommended miscellaneous

Cutting board

oak 84 700 000-48

- for placing on
- For details and miscellaneous, see page 088

38 561 000



Double sink

- installation, on top or flush
- 930 x 405 mm
- sink depth 200 / 40mm
- 3 1/2" closable strainer basket valve
- 3 1/2" non-lockable strainer basket valve
- complete pop-up waste and overflow set with valve bridge
- attachment set
- suitable for base units 1000 mm

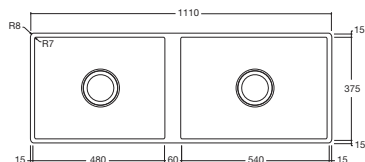
Strainer waste not included in the scope of supply.

matt high-grade steel **38 561 000-86**

	Recommended miscellaneous		
	Cutting board	black	84 700 000-13
	• for placing on		
	For details and miscellaneous, see page 088		

	Recommended miscellaneous		
	Cutting board	oak	84 700 000-48
	• for placing on		
	For details and miscellaneous, see page 088		

38 571 000



Double sink

- installation, on top or flush
- 1110 x 405 mm
- sink depth 200 / 40mm
- 3 1/2" closable strainer basket valve
- 3 1/2" non-lockable strainer basket valve
- complete pop-up waste and overflow set with valve bridge
- attachment set
- suitable for base units 1200 mm

Strainer waste not included in the scope of supply.

matt high-grade steel **38 571 000-86**

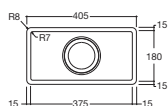
	Recommended miscellaneous		
	Cutting board	black	84 700 000-13
	• for placing on		
	For details and miscellaneous, see page 088		

	Recommended miscellaneous		
	Cutting board	oak	84 700 000-48
	• for placing on		
	For details and miscellaneous, see page 088		

	Recommended miscellaneous		
	Cutting board with juice groove (carving board)	black	84 750 000-13
	• for placing in		
	For details and miscellaneous, see page 088		

	Recommended miscellaneous		
	Cutting board	black	84 751 000-13
	• for placing in		
	For details and miscellaneous, see page 088		

38 000 000



Single sink

- under-mounted
- 210 x 405 mm
- sink depth 40mm
- 3 1/2" non-lockable strainer basket valve
- attachment set
- suitable for base units 500 mm

matt high-grade steel **38 000 000-86**



Product alternative

Single sink

- installation, on top or flush

matt high-grade steel **38 001 000-86**



Recommended miscellaneous

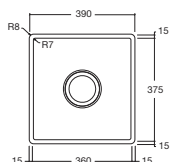
DRINKING PLATE

black **84 710 000-13**

- for placing in the single sink

For details and miscellaneous, see page 106

38 040 000



Single sink

- under-mounted
- 390 x 405 mm
- sink depth 150mm
- 3 1/2" closable strainer basket valve
- complete pop-up waste and overflow set with valve bridge
- attachment set
- suitable for base units 500 mm

matt high-grade steel **38 040 000-86**

Strainer waste not included in the scope of supply.



Product alternative

Single sink

- installation, on top or flush

matt high-grade steel **38 041 000-86**



Recommended miscellaneous

Cutting board

black **84 700 000-13**

- for placing on

For details and miscellaneous, see page 088



Recommended miscellaneous

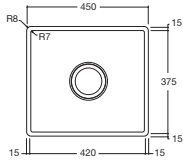
Cutting board

oak **84 700 000-48**

- for placing on

For details and miscellaneous, see page 088

38 060 000



Single sink

- under-mounted
- 450 x 405 mm
- sink depth 200mm
- 3 1/2" closable strainer basket valve
- complete pop-up waste and overflow set with valve bridge
- attachment set
- suitable for base units 550 mm

Strainer waste not included in the scope of supply.

matt high-grade steel **38 060 000-86**



Product alternative

- Single sink**
- installation, on top or flush

matt high-grade steel **38 061 000-86**



Recommended miscellaneous

Cutting board

- for placing on

black

84 700 000-13

For details and miscellaneous, see page 088



Recommended miscellaneous

Cutting board

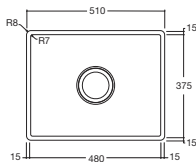
- for placing on

oak

84 700 000-48

For details and miscellaneous, see page 088

38 080 000



Single sink

- under-mounted
- 510 x 405 mm
- sink depth 200mm
- 3 1/2" closable strainer basket valve
- complete pop-up waste and overflow set with valve bridge
- attachment set
- suitable for base units 600 mm

Strainer waste not included in the scope of supply.

matt high-grade steel **38 080 000-86**



Product alternative

- Single sink**
- installation, on top or flush

matt high-grade steel **38 081 000-86**



Recommended miscellaneous

Cutting board

- for placing on

black

84 700 000-13

For details and miscellaneous, see page 088



Recommended miscellaneous

Cutting board

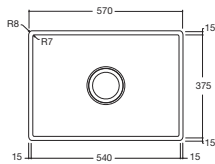
- for placing on

oak

84 700 000-48

For details and miscellaneous, see page 088

38 090 000



Single sink

- under-mounted
- 570 x 405 mm
- sink depth 200mm
- 3 1/2" closable strainer basket valve
- complete pop-up waste and overflow set with valve bridge
- attachment set
- suitable for base units 800 mm

matt high-grade steel **38 090 000-86**

Strainer waste not included in the scope of supply.



Product alternative

- ### Single sink
- installation, on top or flush

matt high-grade steel **38 091 000-86**



Recommended miscellaneous

Cutting board

black **84 700 000-13**

- for placing on

For details and miscellaneous, see page 088



Recommended miscellaneous

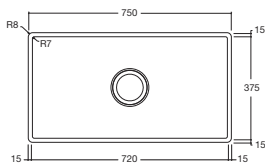
Cutting board

oak **84 700 000-48**

- for placing on

For details and miscellaneous, see page 088

38 100 000



Single sink

- under-mounted
- 750 x 405 mm
- sink depth 200mm
- 3 1/2" closable strainer basket valve
- complete pop-up waste and overflow set with valve bridge
- attachment set
- suitable for base units 900 mm

matt high-grade steel **38 100 000-86**

Strainer waste not included in the scope of supply.



Product alternative

- ### Single sink
- installation, on top or flush

matt high-grade steel **38 101 000-86**



Recommended miscellaneous

Cutting board

black **84 700 000-13**

- for placing on

For details and miscellaneous, see page 088



Recommended miscellaneous

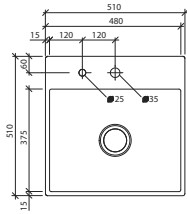
Cutting board

oak **84 700 000-48**

- for placing on

For details and miscellaneous, see page 088

38 111 000



Single sink with tap hole bank

- installation, on top or flush
- 510 x 510 mm
- sink depth 200mm
- 3 1/2" closable strainer basket valve
- complete pop-up waste and overflow set with valve bridge
- attachment set
- suitable for base units 600 mm

Strainer waste not included in the scope of supply.

matt high-grade steel **38 111 000-86**



Recommended miscellaneous

Cutting board

black

84 700 000-13

- for placing on

For details and miscellaneous, see page 088



Recommended miscellaneous

Cutting board

oak

84 700 000-48

- for placing on

For details and miscellaneous, see page 088

84 700 000



Cutting board

- plastic 440 x 440 x 30mm
- non-slip
- kind to knives
- dishwasher-safe
- for placing over the sink
- pack with colour marking pegs (black, red, blue, green, yellow)
- can be combined with all Water Units

black

84 700 000-13

84 700 000



Cutting board

- wood 440 x 440 x 30mm
- oiled oak
- non-slip
- kind to knives
- not dishwasher-safe
- for placing over the sink
- pack with colour marking pegs (black, red, blue, green, yellow)
- can be combined with all Water Units

oak

84 700 000-48

84 750 000



Cutting board with juice groove (carving board)

- plastic 335 x 500 x 23mm
 - all-round juice groove
 - non-slip
 - kind to knives
 - dishwasher-safe
 - to match chopping board 84 751 000
- for placing in the sink (38 571 000-86)**

black

84 750 000-13

84 751 000



Cutting board

- plastic 335 x 500 x 23mm
 - non-slip
 - kind to knives
 - dishwasher-safe
 - pack with colour marking pegs (black, red, blue, green, yellow)
- for placing in the sink (38 571 000-86)**

black

84 751 000-13

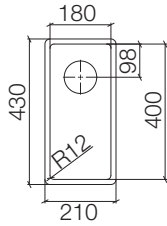
Polished stainless steel kitchen sinks



Detailed product information, appropriate files, dimensioned drawings and 3D objects can be found online at www.dornbracht.com.

Polished stainless steel kitchen sinks

38 180 003



Single sink

- under-mounted
- 180 x 400 mm
- sink depth 140 mm
- suitable for base units 350 mm
- radius 12 mm

Drain and overflow set not included in the scope of supply. See Required miscellaneous.

polished high-grade steel

38 180 003-85



Required miscellaneous

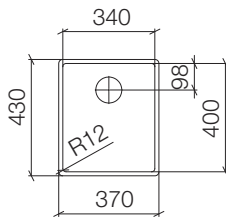
Pop-up waste and overflow closable by hand

- 3½" drain valve closable by hand
- For details and miscellaneous, see page 094

polished high-grade steel

10 415 003-85

38 340 003



Single sink

- under-mounted
- 340 x 400 mm
- sink depth 175 mm
- suitable for base units 400 mm
- radius 12 mm

Drain and overflow set not included in the scope of supply. See Required miscellaneous.

polished high-grade steel

38 340 003-85



Required miscellaneous

Pop-up waste and overflow closable by hand

- 3½" drain valve closable by hand
- For details and miscellaneous, see page 094

polished high-grade steel

10 400 003-85



Required miscellaneous

Pop-up waste and overflow with knob

- 3½" strainer waste valve
- For details and miscellaneous, see page 094

polished high-grade steel

10 405 003-85



Required miscellaneous

Pop-up waste and overflow with electronic control

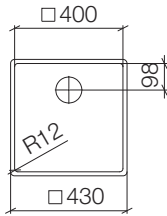
- 3½" electronic drain valve (TouchFlow)

For details and miscellaneous, see page 094

polished high-grade steel

10 410 003-85

38 400 003



Single sink

- under-mounted
- 400 x 400 mm
- sink depth 175 mm
- suitable for base units 450 mm
- radius 12 mm

Drain and overflow set not included in the scope of supply. See Required miscellaneous.

polished high-grade steel **38 400 003-85**



Required miscellaneous

Pop-up waste and overflow closable by hand

- 3½" drain valve closable by hand
- For details and miscellaneous, see page 094

polished high-grade steel **10 400 003-85**



Required miscellaneous

Pop-up waste and overflow with knob

- 3½" strainer waste valve
- For details and miscellaneous, see page 094

polished high-grade steel **10 405 003-85**



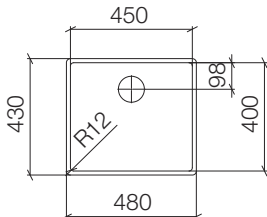
Required miscellaneous

Pop-up waste and overflow with electronic control

- 3½" electronic drain valve (TouchFlow)
- For details and miscellaneous, see page 094

polished high-grade steel **10 410 003-85**

38 450 003



Single sink

- under-mounted
- 450 x 400 mm
- sink depth 175 mm
- suitable for base units 500 mm
- radius 12 mm

Drain and overflow set not included in the scope of supply. See Required miscellaneous.

polished high-grade steel **38 450 003-85**



Required miscellaneous

Pop-up waste and overflow closable by hand

- 3½" drain valve closable by hand
- For details and miscellaneous, see page 094

polished high-grade steel **10 400 003-85**



Required miscellaneous

Pop-up waste and overflow with knob

- 3½" strainer waste valve
- For details and miscellaneous, see page 094

polished high-grade steel **10 405 003-85**



Required miscellaneous

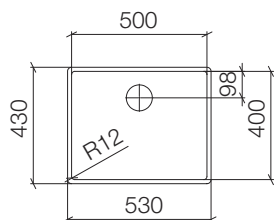
Pop-up waste and overflow with electronic control

- 3½" electronic drain valve (TouchFlow)
- For details and miscellaneous, see page 094

polished high-grade steel **10 410 003-85**

Polished stainless steel kitchen sinks

38 500 003



Single sink

- under-mounted
- 500 x 400 mm
- sink depth 175 mm
- suitable for base units 550 mm
- radius 12 mm

Drain and overflow set not included in the scope of supply. See Required miscellaneous.

polished high-grade steel **38 500 003-85**



Product alternative

Single sink

- installation, on top or flush

polished high-grade steel **38 501 003-85**

Required miscellaneous



Pop-up waste and overflow closable by hand

- 3½" drain valve closable by hand
- For details and miscellaneous, see page 094

polished high-grade steel **10 400 003-85**

Required miscellaneous



Pop-up waste and overflow with knob

- 3½" strainer waste valve

For details and miscellaneous, see page 094

polished high-grade steel **10 405 003-85**

Required miscellaneous



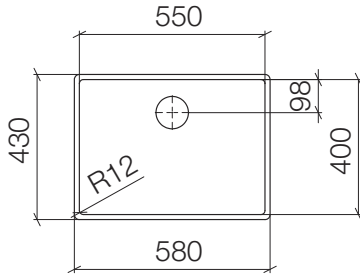
Pop-up waste and overflow with electronic control

- 3½" electronic drain valve (TouchFlow)

For details and miscellaneous, see page 094

polished high-grade steel **10 410 003-85**

38 550 003



Single sink

- under-mounted
- 550 x 400 mm
- sink depth 175 mm
- suitable for base units 600 mm
- radius 12 mm

Drain and overflow set not included in the scope of supply. See Required miscellaneous.

polished high-grade steel **38 550 003-85**



Product alternative

- Single sink**
- installation, on top or flush

polished high-grade steel **38 551 003-85**



Required miscellaneous

- Pop-up waste and overflow closable by hand**
- 3½" drain valve closable by hand

For details and miscellaneous, see page 094

polished high-grade steel **10 400 003-85**



Required miscellaneous

- Pop-up waste and overflow with knob**
- 3½" strainer waste valve

For details and miscellaneous, see page 094

polished high-grade steel **10 405 003-85**



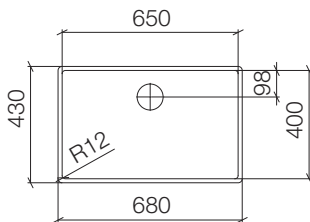
Required miscellaneous

- Pop-up waste and overflow with electronic control**
- 3½" electronic drain valve (TouchFlow)

For details and miscellaneous, see page 094

polished high-grade steel **10 410 003-85**

38 650 003



Single sink

- under-mounted
- 650 x 400 mm
- sink depth 175 mm
- suitable for base units 800 mm
- radius 12 mm

Drain and overflow set not included in the scope of supply. See Required miscellaneous.

polished high-grade steel **38 650 003-85**



Required miscellaneous

- Pop-up waste and overflow closable by hand**
- 3½" drain valve closable by hand

For details and miscellaneous, see page 094

polished high-grade steel **10 400 003-85**



Required miscellaneous

- Pop-up waste and overflow with knob**
- 3½" strainer waste valve

For details and miscellaneous, see page 094

polished high-grade steel **10 405 003-85**



Required miscellaneous

- Pop-up waste and overflow with electronic control**
- 3½" electronic drain valve (TouchFlow)

For details and miscellaneous, see page 094

polished high-grade steel **10 410 003-85**

Polished stainless steel kitchen sinks

10 400 003



Pop-up waste and overflow closable by hand

- 3½" drain valve closable by hand
- concealed overflow
- strainer insert

polished high-grade
steel

10 400 003-85

10 405 003



Pop-up waste and overflow with knob

- 3½" strainer waste valve
- pull knob with Bowden cable
- concealed overflow
- strainer insert

polished high-grade
steel

10 405 003-85

10 410 003



Pop-up waste and overflow with electronic control

- 3½" electronic drain valve (TouchFlow)
- button integrated in overflow
- concealed overflow
- strainer insert

polished high-grade
steel

10 410 003-85

10 415 003



Pop-up waste and overflow closable by hand

- 3½" drain valve closable by hand
- concealed overflow
- strainer insert
- suitable for sink 38 180 003

polished high-grade
steel

10 415 003-85

84 800 001



Strainer bowl perforated

- polished stainless steel 175 x 395 x 80 mm

polished high-grade
steel

84 800 001-85

84 801 001



Strainer bowl unperforated

- polished stainless steel 175 x 395 x 80 mm

polished high-grade
steel

84 801 001-85

84 700 001



Preparation board

- plastic 432 x 220 x 28mm

matt white

84 700 001-10

Polished stainless steel kitchen sinks

84 700 001

Preparation board

- glass 220 x 415 x 16 mm

Glass

84 700 001-81



84 711 001

Stainless steel pad

- brushed stainless steel 480 x 448 x 11 mm

matt high-grade steel

84 711 001-86



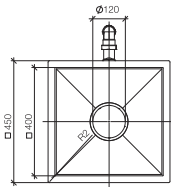
Glazed steel kitchen sinks

Sieger Design



Detailed product information, appropriate files, dimensioned drawings and 3D objects can be found online at www.dornbracht.com.

38 400 002



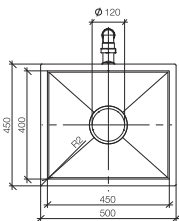
Single sink

- under-mounted
- 400 x 400 mm
- sink depth 175 mm
- Glazed steel sink and drain cover
- 3 1/2" closable strainer basket valve
- Including pop-up waste and overflow set
- attachment set
- suitable for base units 450 mm
- radius 2 mm

Not suitable for combining with strainer waste.

matt white	38 400 002-62
matt black	38 400 002-71
matt sand	38 400 002-72
high-gloss white	38 400 002-73
high-gloss black	38 400 002-76
high-gloss sand	38 400 002-78

38 450 002



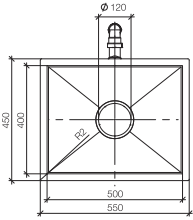
Single sink

- under-mounted
- 450 x 400 mm
- sink depth 175 mm
- Glazed steel sink and drain cover
- 3 1/2" closable strainer basket valve
- Including pop-up waste and overflow set
- attachment set
- suitable for base units 500 mm
- radius 2 mm

Not suitable for combining with strainer waste.

matt white	38 450 002-62
matt black	38 450 002-71
matt sand	38 450 002-72
high-gloss white	38 450 002-73
high-gloss black	38 450 002-76
high-gloss sand	38 450 002-78

38 500 002



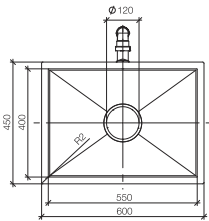
Single sink

- under-mounted
- 500 x 400 mm
- sink depth 175 mm
- Glazed steel sink and drain cover
- 3 1/2" closable strainer basket valve
- Including pop-up waste and overflow set
- attachment set
- suitable for base units 550 mm
- radius 2 mm

Not suitable for combining with strainer waste.

matt white	38 500 002-62
matt black	38 500 002-71
matt sand	38 500 002-72
high-gloss white	38 500 002-73
high-gloss black	38 500 002-76
high-gloss sand	38 500 002-78

38 550 002



Single sink

- under-mounted
- 550 x 400 mm
- sink depth 175 mm
- Glazed steel sink and drain cover
- 3 1/2" closable strainer basket valve
- Including pop-up waste and overflow set
- attachment set
- suitable for base units 600 mm
- radius 2 mm

Not suitable for combining with strainer waste.

matt white	38 550 002-62
matt black	38 550 002-71
matt sand	38 550 002-72
high-gloss white	38 550 002-73
high-gloss black	38 550 002-76
high-gloss sand	38 550 002-78

Generic miscellaneous



Detailed product information, appropriate files, dimensioned drawings and 3D objects can be found online at www.dornbracht.com.

Generic miscellaneous

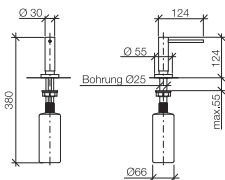
82 434 970



Dispenser with rosette

- 124 mm projection
- 500 ml bottle
- can be filled from the top
- rotating pump head

polished chrome	82 434 970-00
platinum matt	82 434 970-06
platinum	82 434 970-08
brushed Durabronz	82 434 970-28
Dark Platinum matt	82 434 970-99



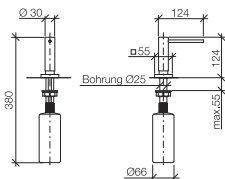
82 439 970



Dispenser with rosette

- 124 mm projection
- 500 ml bottle
- can be filled from the top
- rotating pump head

polished chrome	82 439 970-00
platinum matt	82 439 970-06
platinum	82 439 970-08
brushed Durabronz	82 439 970-28
Dark Platinum matt	82 439 970-99

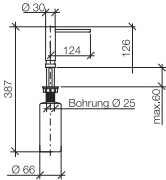


82 424 970



Dispenser without rosette

- 124 mm projection
- 500 ml bottle
- can be filled from the top
- rotating pump head
- width 30mm



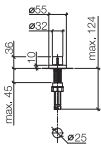
polished chrome	82 424 970-00
platinum matt	82 424 970-06
platinum	82 424 970-08
brushed Durabronz	82 424 970-28
Dark Platinum matt	82 424 970-99

10 710 970



Strainer waste with control handle

- control for single basin
- including adapter for Bowden cable



polished chrome	10 710 970-00
platinum matt	10 710 970-06
platinum	10 710 970-08
brushed Durabronz	10 710 970-28
Dark Platinum matt	10 710 970-99

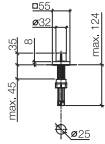
Generic miscellaneous

10 711 970



Strainer waste with control handle

- control for single basin
- including adapter for Bowden cable



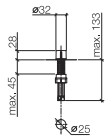
polished chrome	10 711 970-00
platinum matt	10 711 970-06
platinum	10 711 970-08
brushed Durabronz	10 711 970-28
Dark Platinum matt	10 711 970-99

10 712 970



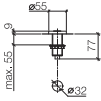
Strainer waste with control handle

- control for single basin
- including adapter for Bowden cable



polished chrome	10 712 970-00
platinum matt	10 712 970-06
platinum	10 712 970-08
brushed Durabronz	10 712 970-28
Dark Platinum matt	10 712 970-99

10 713 970



AIR SWITCH Control button

- for controlling a waste disposal unit

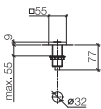
Compatible with waste disposal units with integrated air switch made by Insinkerator®, e.g. Evolution.

The products are not available in all markets, please contact your Dornbracht sales force.

For more information go to www.insinkerator.com

polished chrome	10 713 970-00
platinum matt	10 713 970-06
platinum	10 713 970-08
brushed Durabrass	10 713 970-28
Dark Platinum matt	10 713 970-99

10 714 970



AIR SWITCH Control button

- for controlling a waste disposal unit

Compatible with waste disposal units with integrated air switch made by Insinkerator®, e.g. Evolution.

The products are not available in all markets, please contact your Dornbracht sales force.

For more information go to www.insinkerator.com

polished chrome	10 714 970-00
platinum matt	10 714 970-06
platinum	10 714 970-08
brushed Durabrass	10 714 970-28
Dark Platinum matt	10 714 970-99

04 31 20 067 00



Basin Waste closable by hand

matt high-grade steel 04 31 20 067 00-86

Generic miscellaneous

84 710 000



DRINKING PLATE

- plastic 177 x 177 x 40mm
- for placing in the sink (38 001 000-86 / 38 000 000-86)
- grid element (chrome)

black

84 710 000-13

12 715 970

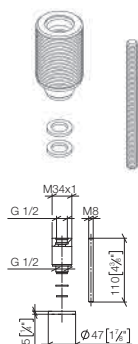


Cover for tap hole

polished chrome	12 715 970-00
platinum matt	12 715 970-06
platinum	12 715 970-08
brushed Durabrass	12 715 970-28
Dark Platinum matt	12 715 970-99

12 802 970

NEW



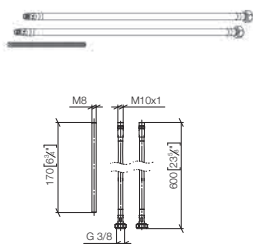
Extension set

- for clamping depths > 45 mm to max. 85 mm
- For combination with two-hole mixer 32800680, 32805680, 32843680, 32800790 only.

12 802 970 90

12 803 970

NEW



Extension set

- for clamping depths > 45 mm to max. 85 mm
- For combination with single-lever mixer 33800790, 33800875, 33816875, 33818875, 33810625, 33820625, 33800888, 33815888, 33805875, 33800760.

12 803 970 90

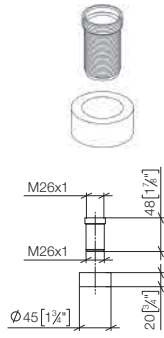
12 845 970 90

NEW

Extension set

- for clamping depths > 45 mm to max. 85 mm
- For combination with single-lever mixer 33845875.**

12 845 970 90



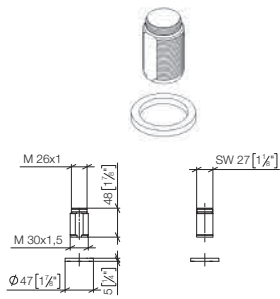
12 720 970

NEW

Extension set

- for clamping depths > 45 mm to max. 85 mm
- For combination with rinsing spray set 27721970, 27722970 only.**

12 720 970 90



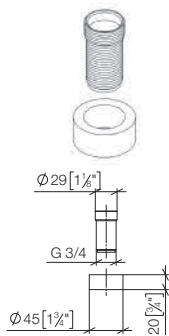
12 780 970

NEW

Extension set

- for clamping depths > 45 mm to max. 85 mm
- For combination with Profi spray set 27784970, 27789970 only.**

12 780 970 90



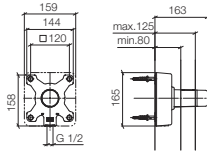
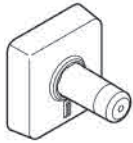
Concealed articles



Detailed product information, appropriate files, dimensioned drawings and 3D objects can be found online at www.dornbracht.com.

Concealed articles

35 087 970



POT FILLER Concealed wall elbow

- female thread 1/2" connection
- anti-water packing
- soundproofing
- dust cover
- min. recess depth 80 mm
- max. recess depth 125 mm

Concealed rough parts

35 087 970 90



Recommended miscellaneous

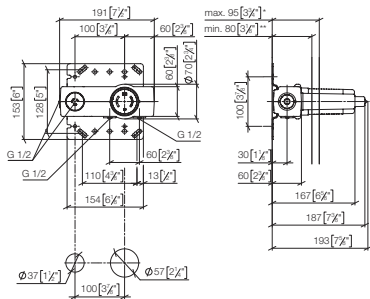
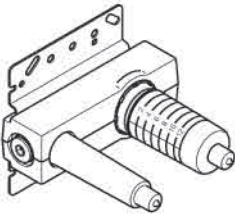
Leak protection 1/2"

Leak protection

12 010 970 90

For details and miscellaneous, see page 114

35 860 970



Concealed wall-mounted single-lever mixer mixer on right

- red brass, lead-free
- 2x 1/2" connector, (hot/cold), DN 15
- 1x female thread 1/2" outlet for wall spout
- 1x female thread 1/2" outlet
- 2x dust cover
- anti-water packing
- soundproofing
- gauge 100 mm

Concealed rough parts

35 860 970 90

Recommended miscellaneous

Extension 20 mm

12 869 970 90



Can only be combined with exposed trim parts 36 86X SSS-FF.

For details and miscellaneous, see page 111

Recommended miscellaneous

Extension 20 mm

12 870 970 90



Can only be combined with exposed trim parts 36 86X 664-FF.

Recommended miscellaneous

Adapter for reversed water connections

12 880 970 90



Not suitable for combining with META PURE (36 86X 664-FF).

Recommended miscellaneous

Drybox Wall-mounted single-lever basin mixer Mixer on right/left/or above

Drybox

39 807 970 90



For details and miscellaneous, see page 114

Recommended miscellaneous

Leak protection 1/2"

Leak protection

12 010 970 90



For details and miscellaneous, see page 114

12 869 970



Extension 20 mm

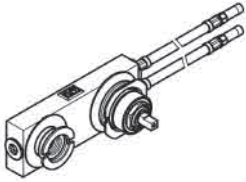
- up to 20 mm: 1 x 12 869 970 90
- 21 mm - 40 mm: 2 x 12 869 970 90

for 35 860 970 90

Can only be combined with exposed trim parts
36 86X SSS-FF.

12 869 970 90

35 816 970



Concealed wall-mounted single-lever mixer mixer on right

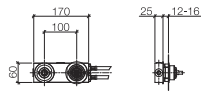
- 2x female thread 1/2" connections
- 2x 1/2" x 1000mm high pressure hose
- 1x female thread 1/2" outlet for wall spout
- cartridge
- gauge 100 mm
- lead-free

Recommended combination for this fitting:Rear walls with- wall thickness: 12-16 mm- spout hole diameter: 40 mm- mixer hole diameter: 58 mm- clear width behind wall: 25 mm

NOTE:Not suitable for concealed installation. Connection by means of angle valves, mounted with screws to back wall.

Concealed rough parts

35 816 970 90



Concealed articles

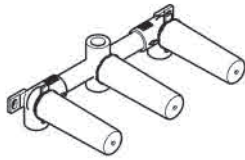
35 707 970

Concealed wall-mounted mixer Centred spout

- 3x dust cover
- 2x female thread 1/2" connections
- 1x female thread 1/2" outlet
- 3x sealing plug 1/2"
- gauge 100 mm
- lead-free

Concealed rough parts

35 707 970 90



Recommended miscellaneous

Drybox Wall-mounted basin mixer Centred spout

Drybox

39 708 970 90

- Overflow is part of the scope of delivery.

For details and miscellaneous, see page 114



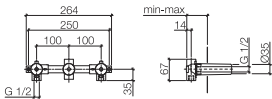
Recommended miscellaneous

Leak protection 1/2"

Leak protection

12 010 970 90

For details and miscellaneous, see page 114



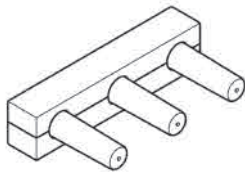
35 713 970

Concealed wall-mounted mixer spout on left

- red brass, lead-free
- 2x female thread 1/2" connections
- 3x female thread 1/2" outlet
- 3x sealing plug 1/2"
- 3x dust cover
- soundproofing
- gauge 100 mm

Concealed rough parts

35 713 970 90



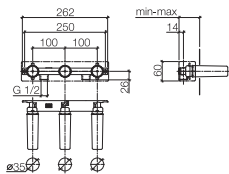
Recommended miscellaneous

Leak protection 1/2"

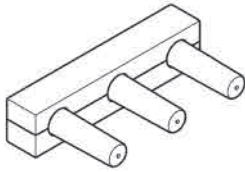
Leak protection

12 010 970 90

For details and miscellaneous, see page 114



35 714 970

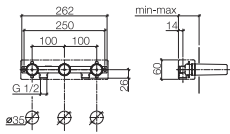


Concealed wall-mounted mixer spout on right

- red brass, lead-free
- 2x female thread 1/2" connections
- 3x female thread 1/2" outlet
- 3x sealing plug 1/2"
- 3x dust cover
- soundproofing
- gauge 100 mm

Concealed rough parts

35 714 970 90



Recommended miscellaneous



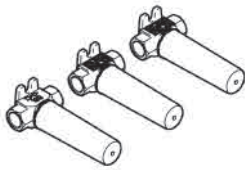
Leak protection 1/2"

Leak protection

12 010 970 90

For details and miscellaneous, see page 114

35 712 970

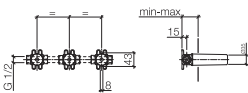


Concealed wall-mounted mixer variable positioning

- red brass, lead-free
- 1/2" connection
- 3x sealing plug 1/2"
- 3x dust cover

Concealed rough parts

35 712 970 90



Recommended miscellaneous



Leak protection 1/2"

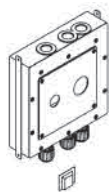
Leak protection

12 010 970 90

For details and miscellaneous, see page 114

Concealed articles

39 807 970



Drybox

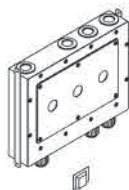
Drybox Wall-mounted single-lever basin mixer Mixer on right/left/or above

- Dimensions 300 x 300 x 80 mm
- brushed stainless steel cover
- stainless steel casing
- Overflow is part of the scope of delivery.

Drybox

39 807 970 90

39 708 970



Drybox

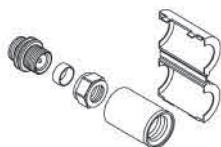
Drybox Wall-mounted basin mixer Centred spout

- Dimensions 400 x 300 x 80 mm
- brushed stainless steel cover
- stainless steel casing
- Overflow is part of the scope of delivery.

Drybox

39 708 970 90

12 010 970



Drybox

Leak protection 1/2"

- rubber sleeve
- plastic cap
- conical nut 1/2" with cutting ring for 15 mm PEX pipe
- coupling, male thread 1/2" x male thread 1/2"

Leak protection

12 010 970 90

29 020 970



Drybox

Single holder for 12 mm and 15 mm copper pipes

29 020 970 90

29 021 970



Drybox

Single holder for 16 mm AluPEX pipes

29 021 970 90

29 022 970

Drybox **Single holder for 15 mm PEX pipes**

29 022 970 90



Functions

Designs

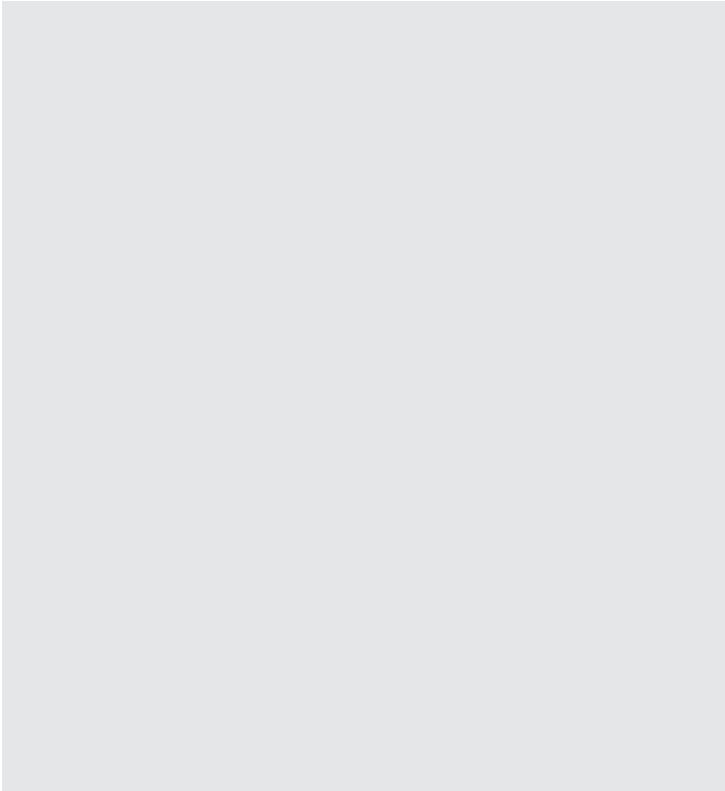
Kitchen sinks

Generic miscellaneous

Concealed articles

General information

General information



Customisation of your Dornbracht fittings and accessories

From its very inception, Dornbracht, the fittings manufacturer, has never been a fittings manufacturer in the conventional sense. Our history now extends for over 60 years, during which we have abandoned the conventional routes time and again and have established ourselves with the reputation of a specialist for high quality and, above all, individual fittings and accessories for the bathroom and kitchen. With each of our fittings we also document our fascination for perfect manufacturing work. We use traditional craftsmanship as the basis for the very highest quality possible today – a combination of function, form and quality production for every single product design. Work at Dornbracht is not so much a matter of mechanics, but more a matter of mental or even emotional qualities. Every individual employee must be in love with every single one of our fittings, because that is the only way we can explain their great attention to detail and their continuous search for an even more perfect solution, that is a particular characteristic of our x-TRA SERVICE department. Many clever, precisely coordinated steps result in the aforementioned products that our customers expect from us.

Special production

If, when the kitchen is being planned, it emerges that the size of a fitting or an accessory is not a perfect fit for the architecture, our x-TRA SERVICE can make extensions and reductions, provided this is technically feasible.

Special finishes

Even if a certain finish is not listed in the catalogue for a Dornbracht fitting, the x-TRA SERVICE can refine every series in every finish and colour featured in the latest Dornbracht programme. Additional finishes and colours can be implemented on request, if production proves viable.

Surface finishing

To ensure that even the products not supplied by Dornbracht match the chosen fitting in the kitchen, the x-TRA SERVICE provides a finish refinement service. These products are then given the same finish as the fitting from the current product programme. This service is often also used for renovating kitchens using existing fitting elements.

Maintaining the value

To maintain our customers' pleasure in their Dornbracht classics for as long as possible, the x-TRA SERVICE offers the complete restoration of function and individual finishing for fittings which are no longer available, up to ten years after the series has been discontinued. For example, if the finish is dull and scratched, it will be ground, polished and galvanised until it gleams as good as new.

Special labelling

Our x-TRA SERVICE can personalise our products with special labelling, irrespective of quantity.

eCustomizing

The digital solutions offer a wide range of possibilities to realise your individual requirements. A personal shower system or arranging your bath, spa and kitchen fittings in a special way – there are so many possibilities. We would be very happy to examine your request and compile a customised quote.



Services

Sales team

Personal advice and guidance on all commercial matters.
Intensive support covering every aspect of selling.

Phone +49 (0) 2371 433-460

Fax +49 (0) 2371 433-135
Fax +49 (0) 2371 433-5506
Fax +49 (0) 2371 433-5507
E-Mail mail@dornbracht.de

x-tra Service

Individual made-to-order productions and special finishes to suit your need.

Phone +49 (0) 2371 433-460

E-Mail mail@dornbracht.de

Spare part service

Phone +49 (0) 2371 433-460

E-Mail mail@dornbracht.de

You can contact our Service Centre from Monday to Thursday between 07:00 to 18:00 and on Fridays between 07:00 and 15:30.

Terms and Conditions of Sale, Delivery and Payment

1. General

1.1. The following terms apply exclusively to all our quotations, sales and deliveries both now and in the future. We do not accept purchasers' terms of business which conflict with or differ from our Terms and Conditions unless we have expressly agreed to them in writing. This also applies in cases where we execute in the knowledge of the conflicting or differing Terms and Conditions of the purchaser or a third party delivery to the purchaser unconditionally or refer to a letter or document of the purchaser containing conflicting or differing Terms and Conditions of the latter or of a third party or refer to them without objecting to the Terms and Conditions concerned. Differing arrangements apply only to a specific contract and not to subsequent contracts, save where expressly otherwise agreed.

1.2. All agreements, subsidiary agreements and contractual amendments must be made in writing. To be effective, verbal or written agreements deviating from our contractual conditions and/or the order confirmation must be approved by the proper number of directors or authorised officers. Our office staff or field staff are not authorised to make differing agreements or grant special conditions.

2. Information, advice

Information and advice given on our products are based on our previous experience. The figures quoted are average values found. Information and advice do not obviate the need for acceptance tests on goods supplied or compliance with processing instructions. Information given verbally is not binding.

3. Quotation, contract signature

3.1. Our quotations are made without engagement. A supply contract or other contract becomes binding on us only when we have confirmed the customer's order or other order in writing or have delivered the goods.

3.2. Samples and specimens are supplied without engagement for inspection purposes. A purchase according to sample and/or specimen is subject to commercially acceptable deviations or those falling within normal manufacturing tolerances. Unless expressly specified in the order confirmation, the supply of patterns or samples does not constitute a guarantee of quality or service life.

3.3. Samples and specimens must be returned to us in perfect condition within 4 weeks. If they are not returned within this period we shall be entitled to charge the list purchase price. Price lists are available on request at any time.

3.4. Save where expressly otherwise agreed, the information provided by us in text or illustrated form (e.g. descriptions, illustrations or drawings) in catalogues, brochures or other publications conclusively define the quality of the goods we supply and their potential applications. The information we provide is not a guarantee of service life or quality and corresponds to our current state of knowledge. We accept no liability for successful use.

4. Prices

4.1. All prices agreed are net exclusive of VAT, which the purchaser must pay at the relevant statutory rate.

4.2. A minimum quantity surcharge of € 5.00 will be made on orders with a net merchandise value of under € 50.00.

4.3. If there is any increase in our sundry material procurement costs, energy costs or labour costs/incidental wage costs between the date of order confirmation and the date of delivery, we shall be entitled to adjust the agreed price accordingly. The purchaser will be entitled to cancel the contract with immediate effect if the price rise exceeds 5 %, but no later than within 10 days of the price increase becoming known to purchaser.

5. Delivery

5.1. The delivery periods will begin on the date of our order confirmation, but not before any agreed down payment has been received, all of the purchaser's other obligations have been duly and punctually fulfilled and not before all the order details have been finally clarified, the requisite certificates procured and/or all necessary documents provided. The delivery period

is deemed to have been met if the goods have left our factory or warehouse before this period has expired, or have been notified as ready for delivery but cannot then be forwarded on time for reasons beyond our control. Delivery dates are deemed to be approximate where there is no provision to the contrary and do not constitute a fixed transaction without a specific agreement to this effect. The purchaser is to inform us no later than at the time of conclusion of contract of any contractual default penalties that may be due vis-à-vis his customer in case of late delivery. Without such prior notification, the purchaser may not assert vis-à-vis us any claims arising from contractual default penalties he may incur.

5.2. When a delivery date not expressly designated as „fixed“ in the order confirmation is overrun, the purchaser may set a reasonable extension period for delivery. We can only be in default on expiry of this extension period.

5.3. Without prejudice to our rights arising from delays in payment by the purchaser, delivery dates will be extended by the period of time that the purchaser fails to honour his obligations towards us.

5.4. We reserve the right to make proper and timely self-supply if irregular self-supply is beyond our control.

5.5. Unforeseen, exceptional circumstances beyond our control such as strikes, lock-outs and other industrial action, operational breakdown e.g. due to fire and similar occurrences, difficulties in the sourcing of materials and energy, lack of labour resources, energy and raw materials, government action, transport disruption, difficulties in the obtaining of permits with specific regard to import and export licences or other instances of force majeure beyond our control and area of influence, irrespective of whether we or our suppliers are affected by such circumstances or whether they occur during an ongoing delay, the period of delivery is to be extended by the duration of the disruption in addition to a reasonable start-up period. Should the delay/disruption not be of a temporary nature and should delivery subsequently become impossible or compliance with the contract unreasonable for one party as a result, either party will be entitled to terminate the contract. Claims for compensation are excluded in such cases where neither party is to blame.

5.6. Our liability for loss due to delay arising from slightly negligent breach of duty is excluded, save where the breach of duty results in damage to life, limb or health. A change in the burden of proof to the disadvantage of the purchaser has no connection with this provision.

5.7. Should liability for loss due to delay arise not only from slightly negligent breach of duty, the purchaser may, insofar as he proves the existence of damage due to delay and subject to the exclusion of further claims, only claim compensation amounting to 0.5 % for each full week of delay, up to a maximum of 5 % in total, of the value of that part of the total delivery which owing to the delay could not be used on time or for its contractual purpose.

5.8. We shall be entitled to make part deliveries where acceptable to the purchaser. Part deliveries may be invoiced separately.

6. Forwarding, passage of risk

6.1. Delivery will be ex works (Iserlohn) unless otherwise agreed. If Incoterms have been agreed as delivery terms, the version applicable on the date of contract signature shall apply.

6.2. If at the purchaser's request the goods have been forwarded to a place other than the place of performance, the purchaser will meet all the costs thereby incurred. The choice of transit route and carrier will be at our discretion. We and the carrier must be notified in writing by the purchaser of the type and extent of any transit damage immediately on receipt of the goods. Goods will only be insured against damage, loss or breakage in transit at the purchaser's express request and at his expense.

6.3. Forwarding and transportation are always at the purchaser's risk when goods are supplied ex works. This is also applicable if we make delivery to a third party (drop shipment deliveries) and when goods or empties (reusable packaging) are returned. Even when part deliveries are made, the risk will pass to the purchaser as soon as the consignment has been transferred to the carrier or has left our warehouse for forwarding or, in the case of delivery ex works, has left our plant.

6.4. For drop shipment deliveries we add a surcharge of 10% on the net value of the goods.

6.5. If forwarding is delayed due to circumstances for which the purchaser is responsible, or if the purchaser himself is arranging transportation, the risk will pass to the purchaser on notification that the goods are ready for dispatch. The purchaser must meet storage charges incurred after the passage of risk. The monthly storage charge for goods stored to our factory or warehouse will be 0.5% of the invoiced amount. We reserve the right to make higher storage charges subject to proof. Once a reasonable period of time has elapsed to no effect, we shall be entitled to otherwise dispose of the goods and to supply the purchaser within a reasonably extended period.

7. Payment

7.1. Payment must be made in Euro (€) and must be free of charges and postage. It must be remitted only to the bank indicated by us. Checks will only be valid as payment after encashment and are accepted without obligation for due presentation and protestation.

7.2. Unless expressly otherwise agreed, invoices must be paid within 10 days of the invoice date at a 2 % discount and within 30 days of the invoice date with no deduction. There will be no discount entitlement if previous outstanding invoices remain unpaid.

7.3. When the period allowed for payment has been exceeded we shall be entitled to charge interest at 8 % p.a. above the basic interest rate (Section 247 of the German Civil Code [BGB]). All our outstanding accounts will also become due immediately.

7.4. The offsetting of any counterclaims by the purchaser is permissible only if such counterclaims are undisputed or established in law. The purchaser may at most withhold a sum amounting to three times the cost of subsequent performance due to deficiency. When exercising his right of retention the purchaser agrees to pay us security of our choice to the amount of the unpaid portion by bank guarantee or by depositing it with a notary of his choosing, whichever we choose.

8. Reservation of title

8.1. All goods delivered shall remain our property (reserved-title goods) pending settlement of all outstanding accounts on any legal grounds whatsoever, including all future and conditional claims arising from contracts signed simultaneously or subsequently. The same shall apply if payments are made on specially designated accounts outstanding. Should there be justifiable grounds for assuming that a purchaser is unable to pay or that such inability is impending, we shall be entitled to terminate the contract without notice and to demand restitution of the goods.

8.2. Reserved-title goods are manufactured and processed on our behalf as manufacturers in accordance with Section 950 BGB without incurring any obligation on our part. Processed goods are deemed to be reserved-title goods as defined in para. 8.1. If the reserved-title goods are processed, interconnected, mingled or mixed with supplied goods by the purchaser, we shall be entitled to co-ownership of the new goods to the ratio of the invoice value of the reserved-title goods. Should our title cease as a result of the combination or inclusion, the purchaser agrees with immediate effect to assign to us his title or expectant rights in the new goods or object to the extent of the invoice value of the reserved-title goods and to retain same on our behalf at no charge. The co-ownership rights at issue shall be deemed to be reserved-title goods as defined in para. 8.1.

8.3. The purchaser may sell on, process or combine the reserved-title goods with other items or otherwise install them (resale) only as part of his normal business operations and as long as he is not in default. He shall not be entitled to dispose of the reserved-title goods in any other manner. We must be informed immediately of any third party seizure or other access to the reserved-title goods.

8.4. The purchaser agrees with immediate effect to assign to us his claims arising from the resale of the reserved-title goods. These rights shall be considered as security to the same extent as the reserved-title goods. The purchaser will only be entitled and authorised to resell on the assurance that the claims thereby owed him are transferred to us.

8.5. If the reserved-title goods are sold by the purchaser at an inclusive price together with third-party

goods, the claims arising from the sale shall be assigned to us in the same ratio as the invoice value of our reserved-title goods sold in each case.

8.6. If the claim assigned is included in a current account, the purchaser hereby assigns to us a part of the balance corresponding to the amount of this claim inclusive of the final balance from the current account.

8.7. The purchaser will be entitled to collect the claim assigned us until such time as we revoke. We shall be entitled to revoke if the purchaser fails to meet his payment obligations arising from the business transactions with us or if we become aware of circumstances likely to substantially lessen the purchaser's credit worthiness. If the conditions are such that we wish to exercise our right to revoke, the purchaser must on request inform us forthwith of the claims assigned and the debtors thereof, provide all the information necessary to collect the debt, hand over the associated documents to us and notify the debtor of the assignment. The buyer is not authorised to assign any claims, not even on the basis of our direct debit authorisation.

8.8. Should the realizable value (invoice amount of goods or nominal amount of the receivables) exceed 50% of the securities existing for us, we are obliged to release securities of our own choice upon the purchaser's demand.

8.9. Our assertion of reservation of title shall not constitute revocation of the contract unless we expressly state this in writing. The purchaser's right to own the reserved-title goods shall lapse if he fails to perform his obligations under this or any other contract.

9. Liability for faulty goods

9.1. We do not accept liability for unsuitable or improper use, particularly excessive loading, faulty assembly or faulty operation by the purchaser or third parties, natural wear and tear, faulty or negligent usage or handling, particularly by untrained staff.

9.2. The purchaser agrees to inspect deliveries carefully for completeness and adequacy immediately on receipt – even if patterns or samples were previously supplied. The delivery is deemed to have been accepted if a deficiency has not been reported to us by letter, telex or fax within 10 working days of the goods arriving at their destination, or, if the deficiency could not be found during proper inspection, within 10 working days of discovering same. This also applies to multiple deliveries. A multiple delivery is deemed to have been accepted if no complaint is lodged within 10 days of the goods arriving at their destination. Our field staff are not authorised to acknowledge quantity or deficiency complaints.

9.3. A purchaser accepting faulty goods knowing them to be defective shall only be entitled to the claims and rights in respect of deficiencies if he reserves the right to these by reason of deficiency on acceptance.

9.4. We guarantee to meet the purchaser's claims for defective goods for a period of two years, starting with the date of each delivery. This will not affect liability for defects in title under statutory regulations. The liability for losses contingent on defects shall be governed by para. 10.

9.5. Where there are grounds for complaint, the purchaser will initially only have a claim to subsequent performance which we may effect as we deem fit, either by repair or by supplying a defect-free item. If subsequent performance fails or is unacceptable or dispensable to the purchaser (Section 440 BGB), the purchaser will have the right to reduce the purchase price or, if he so chooses, to revoke the contract or to demand damages in place of performance or reimbursement of wasted expenditure in accordance with para. 10 because

- a) we finally refuse subsequent performance,
- b) we do not effect subsequent performance on a contractually agreed date or within a specific period and in the contract the purchaser has bound the continuance of his interest in performance to the timely delivery of performance,
- c) there are special circumstances which justify immediate cancellation on a consideration of the interests of both parties (Section 323 para. 2 BGB).

9.6. Where we deem it necessary to effect repairs or replacement deliveries, the purchaser shall allow us sufficient time and opportunity for such repairs or

replacement deliveries, otherwise our liability for the deficiency shall be deemed to have been discharged. Only in urgent cases of risk to operating safety or to avert considerable damage, in which case we must be informed immediately, or when we are late in rectifying the defect shall the purchaser have the right to remedy the defect himself or have it remedied by a third party and to demand compensation of the requisite cost from us.

10. Liability for damages

10.1. We accept liability for damages arising from injury to life, limb or health and in accordance with the Product Liability Act pursuant to the relevant statutory provisions.

10.2. Our liability for breach of duty and our non-contractual liability shall, moreover, be limited to malicious intent and gross negligence. Liability for gross negligence by our non-senior employees, staff and vicarious agents is hereby limited to the level of contractually typical, foreseeable damage, the occurrence of which we could have expected at the time of conclusion of contract on the basis of the circumstances known to us at the given time to the exclusion of damage not incurred directly by the object of delivery such as and above all the lack of economic success, lost profit, indirect damage, consequential damage due to a given defect and third-party claims.

10.3. The above limitation of liability pursuant to para. 10.2. does not apply to the breach of duties material to contract (cardinal duties). The latter are those duties compliance with which permits proper and due fulfillment of contract at all and in the compliance with which the contracting party trusts and is entitled to trust. In this case, even in the event of slight negligence, we shall be liable for our own negligence and that of our employees, staff or vicarious agents, limited however to the level of contractually typical, foreseeable damage, the occurrence of which we could have expected at the time of conclusion of contract on the basis of the circumstances known to us at the given time.

10.4. The above limitations on liability apply equally to claims for the reimbursement of wasted expenditure (Section 284 BGB).

10.5. Claims against us for damages on any legal grounds whatsoever shall become statute-barred within two years of the statutory commencement of the limitation period.

10.6. A shift in the burden of proof to the disadvantage of the purchaser is not connected with the above provisions.

11. Returned goods

The reconsignment of goods sold or the reversal of the contract are only admissible in exceptional cases and upon our explicit prior consent, except in the cases stated in these Terms and Conditions. Goods sent back without our consent will be rejected, respectively returned to the Buyer freight forward. Reconsignment goods as described above always go at the Buyer's risk and account. When reimbursing the value of reconsignment goods, we will charge handling expenses amounting to 25% of the net value of the goods and make deductions according to the usability of the goods.

12. Data Protection / Confidentiality Agreement

12.1. We process and use personal data under consideration of applicable data protection law. The processing and use is effected for the purpose of fulfillment of our services rendered to the purchaser. In this context it might be necessary to transfer the data to third parties, for example to the data processing center being employed by us, logisticians or collection agencies. Furthermore, an exchange of data might occur within our company group. If necessary, we will obtain the required consent for the processing of the data from the purchaser. Further information with regard to the handling of data can be gathered from our data protection policy which is available in the internet under www.dornbracht.com. In addition, our data protection officer will be at your disposal for any questions.

12.2. The purchaser is obliged to keep the content of our offer / the agreement or other confidential information respectively company and business secrets in strict confidence. Those information may only be disclosed to third parties if this is legally compulsory or if

we have given our prior written consent. Information known to the purchaser prior to the receipt of our offer or publicized prior to or after conclusion of the contract without our or the purchaser's involvement are not regarded as confidential information.

13. Place of performance, court of jurisdiction, applicable law

13.1. The place of performance for the obligations of either party under this contract shall be Iserlohn.

13.2. Any disputes involving registered merchants shall exclusively be settled before a competent court of law having jurisdiction for our headquarters. We shall, however, be entitled to bring an action against the purchaser at another legal place of jurisdiction.

13.3. The relationship between ourselves and the purchaser shall be governed by German law to the exclusion of the United Nations Convention on the International Sale of Goods (CISG) and the provisions of international patent law.

13.4. Should subsequent circumstances cause individual provisions of these Terms and Conditions to be or become invalid, this shall not affect the validity of the remaining provisions.

Issued December 2010

Dornbracht AG & Co. KG
Köbbingser Mühle 6
D-58640 Iserlohn
Phone +49 (0) 2371 433-460
Fax +49 (0) 2371 433-135
mail@dornbrachtgroup.de
dornbracht.com



03.2021

