

Bath - Meta

bath spout without diverter for free-standing assembly - polished chrome

Article number: 13 672 661-00

- 282 mm projection
- circular normal flow
- total height 811 - 881 mm
- height up to aerator 671 – 741 mm
- slide-on rosettes Ø 135 mm
- max. flow 28.6 l/min at 3 bar flow pressure
- Fittings group as per DIN 4109: 1

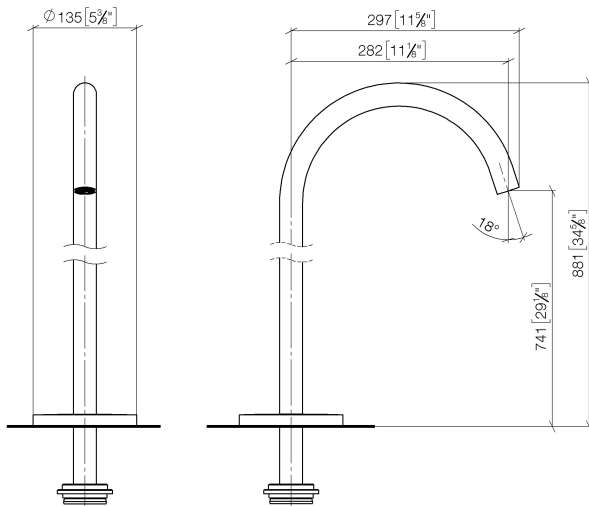


polished chrome

Miscellaneous items are required for this article.

Dimensional drawing

mm [inches]



All details in mm / inch = mm x 0.0394

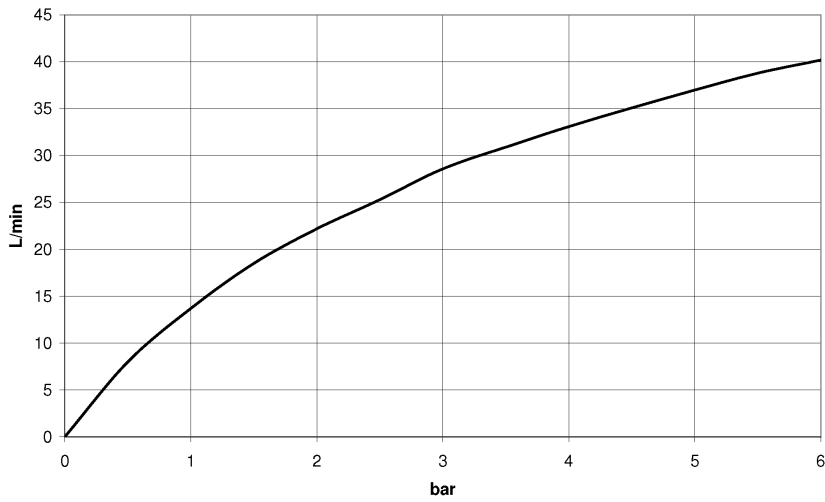


Bath - Meta

bath spout without diverter for free-standing assembly - polished chrome

Article number: 13 672 661-00

Flow rate chart





Bath - Meta

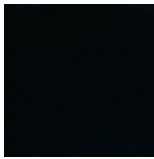
bath spout without diverter for free-standing assembly - polished chrome

Article number: 13 672 661-00

Other finish variants



platinum matt
13 672 661-06



matt black
13 672 661-33

Other finishes on request (x-tra Service)



35 945 970 90

Concealed floor mounting -

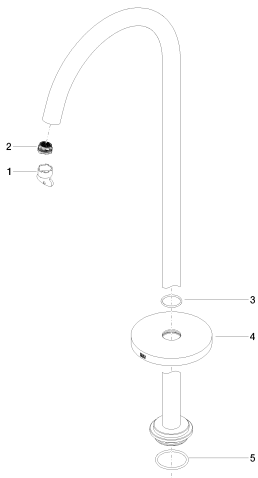


Bath - Meta

bath spout without diverter for free-standing assembly - polished chrome

Article number: 13 672 661-00

Spare parts list



No.	Item Number	Name	Quantity used
1	04 30 09 027 00 90	key	1
2	09 29 03 062 90	aerator	1
3	09 14 10 101 90	seal	1
4	09 27 85 003-00	rosette	1
5	09 14 10 084 90	seal	1