

Bath - CL.1

Hand shower set with integrated shower holder - polished chrome

Article number: 27 802 970-00

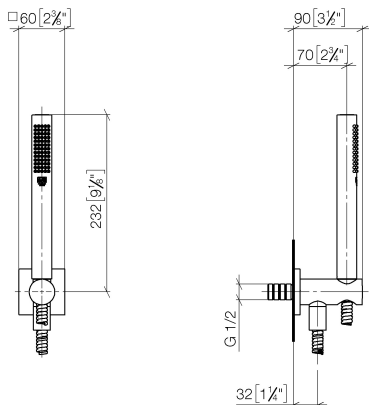
- normal flow
- with anti-scale system
- 3/8" shower outlet
- metal shower hose 1250mm with integrated anti-twist protection
- rosette 60 x 60 mm
- 1/2" connection
- max. flow 15 l/min
- Fittings group as per DIN 4109: 1
- Intrinsic protection against back flow.



polished chrome

Dimensional drawing

mm [inches]



All details in mm / inch = mm x 0.0394

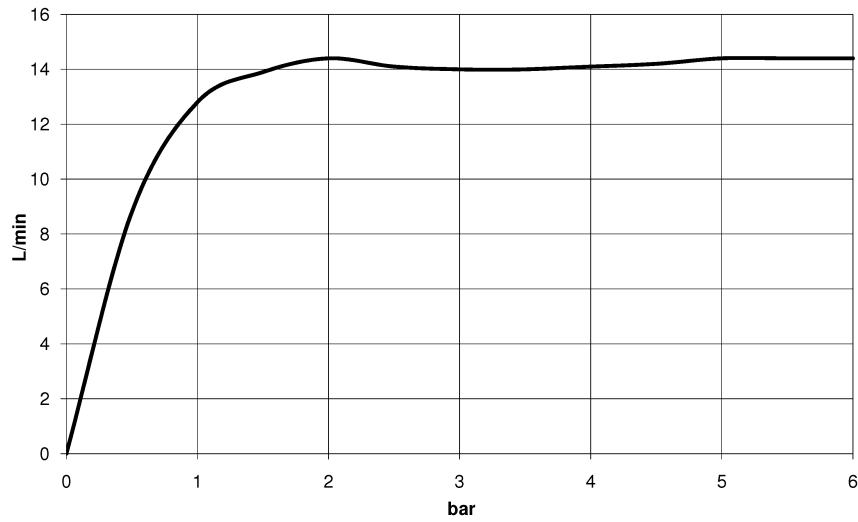


Bath - CL.1

Hand shower set with integrated shower holder - polished chrome

Article number: 27 802 970-00

Flow rate chart





Bath - CL.1

Hand shower set with integrated shower holder - polished chrome

Article number: 27 802 970-00

Other finish variants



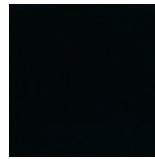
platinum matt
27 802 970-06



platinum
27 802 970-08



brushed Durabrass
27 802 970-28



matt black
27 802 970-33



Dark Platinum matt
27 802 970-99

Other finishes on request (x-tra Service)



35 085 970 90
Concealed wall elbow -

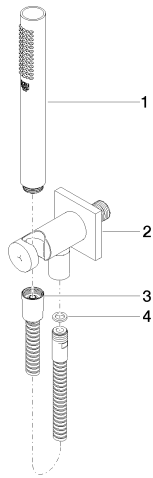


Bath - CL.1

Hand shower set with integrated shower holder - polished chrome

Article number: 27 802 970-00

Spare parts list



No.	Item Number	Name	Quantity used
1	28 013 979-00	Bar-type hand shower - polished chrome	1
2	28 490 970-00	Wall elbow with integrated shower holder - polished chrome	1
3	09 30 02 072-00	Metal shower hose 1/2" x 3/8" x 1250 mm - polished chrome	1
4	09 14 20 026 90	seal	1