

## Bath - Lissé

Three-hole single-lever bath mixer for bath rim or tile edge installation - polished chrome

Article number: 27 412 845-00



- 200 mm projection
- spout: circular, air-enriched flow
- complete hand shower set with anti-scale system
- automatic bath/shower diverter
- height of mixer 141 mm
- height up to aerator 88 mm
- hole diameter spout 32 mm
- hole diameter single-lever mixer 35 mm
- hole diameter for complete hand shower set 32 mm
- rosette for complete hand shower set Ø 50mm
- metal shower hose 1750mm with integrated anti-twist protection
- max. flow 16.9 l/min at 3 bar flow pressure
- max. flow for complete hand shower set 6.8 l/min
- Fittings group as per DIN 4109: 1
- Intrinsic protection against back flow.



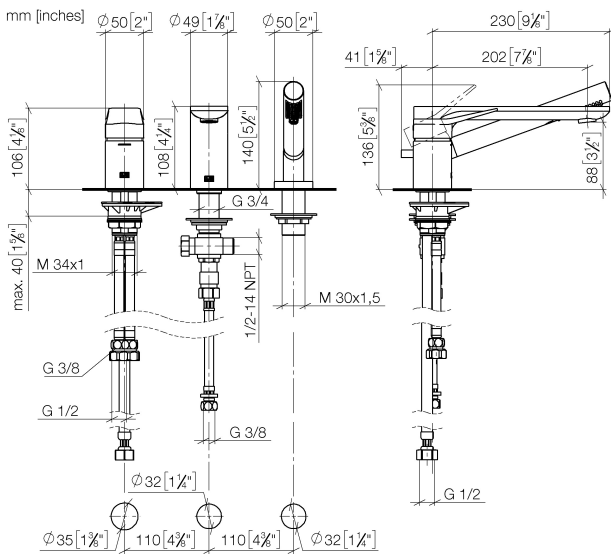
polished chrome

**Bath - Lissé**

Three-hole single-lever bath mixer for bath rim or tile edge installation - polished chrome

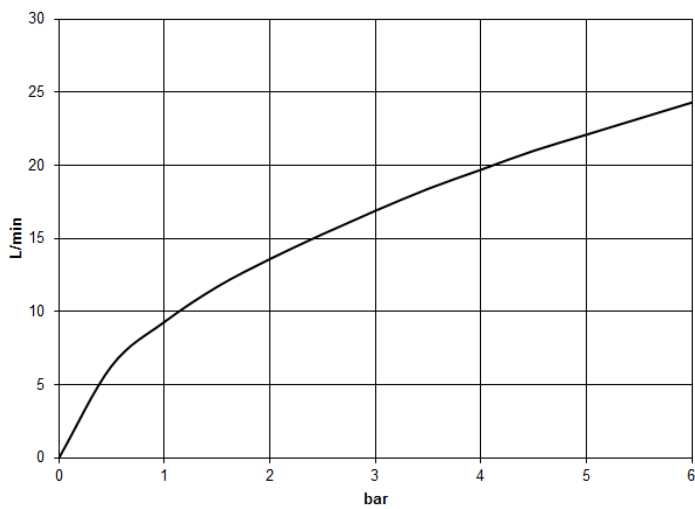
Article number: 27 412 845-00

**Dimensional drawing**



All details in mm / inch = mm x 0.0394

**Flow rate chart**





## Bath - Lissé

Three-hole single-lever bath mixer for bath rim or tile edge installation - polished chrome

Article number: 27 412 845-00

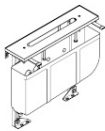
## Other finish variants



platinum matt

27 412 845-06

Other finishes on request (x-tra Service)



12 614 970 90

Perfecto installation kit -



12 801 970-00

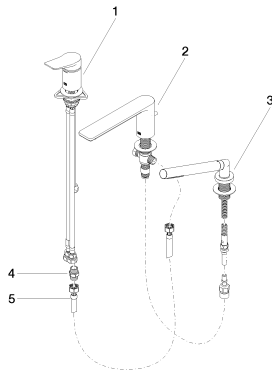
Decorative caps for Perfecto -  
polished chrome

**Bath - Lissé**

Three-hole single-lever bath mixer for bath rim or tile edge installation - polished chrome

Article number: 27 412 845-00

**Spare parts list**



No.	Item Number	Name	Quantity used
1	29 300 845-00	Single-lever bath mixer for bath rim or tile edge installation - polished chrome	1
2	13 512 845-00	bath spout with diverter for deck mounting - polished chrome	1
3	27 702 979-00	Hand shower set for bath rim or tile edge installation - polished chrome	1
4	09 24 03 168 10 90	nipple	1
5	12 502 970 90	High pressure hose 1/2" x 1/2" x 400 mm -	1