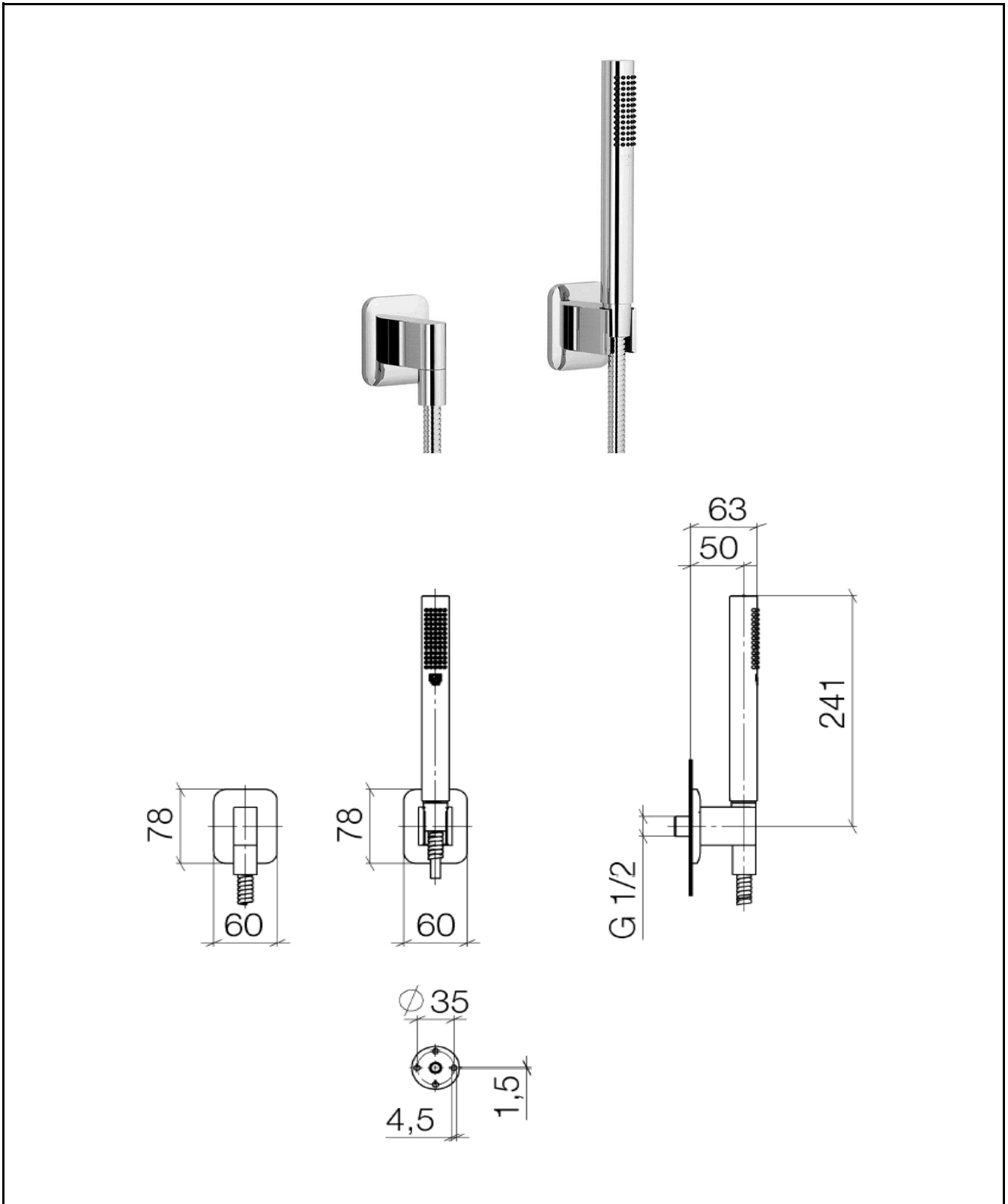


# TECHNICAL SCHEDULE



Dornbracht Lissé complete hand shower set

Code: D27802845



*Inspirational + European + Bathroomware*

t 09 444 5656

e info@metrix.co.nz

www.metrix.co.nz