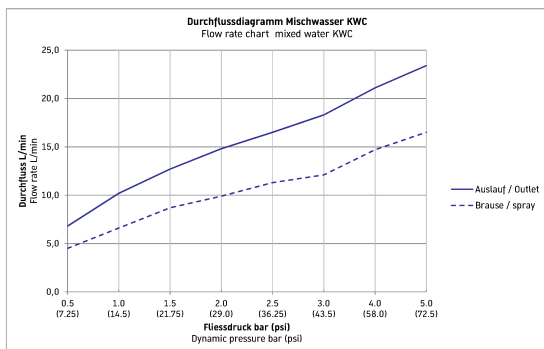


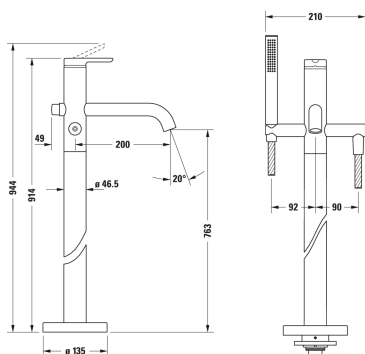
C.1 Freestanding bath mixer # C1525000010

| < 914 mm > |



Freestanding bath mixer	Dimension	Weight	Order number
connection type: basic set for concealed installation, Projection 200 mm, with diverter valve, integrated hand shower holder, non-return valve in the hose connection, recommended operating pressure 3 - 5 bar, width 210 mm, includes: shower hose and stick hand shower, 914 mm			
Colors			
10 Chrome			
Variant			
surface chrome, connection size DN15, flow rate spout 18,3 l/min (3bar), flow rate hand shower 12,1 l/min (3bar)			C1525000010
Necessary accessory			
Basic set freestanding bath mixer for mounting onto bathroom floor			GK5900003

All drawings contain the necessary measurements which are subject to standard tolerances. They are stated in mm and are non-binding. Exact measurements, in particular for customised installation scenarios, can only be taken from the finished piece.



C.1 Freestanding bath mixer # C15250000010

|< 914 mm >|
