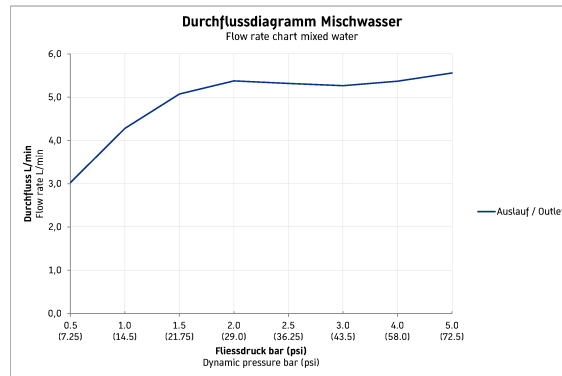
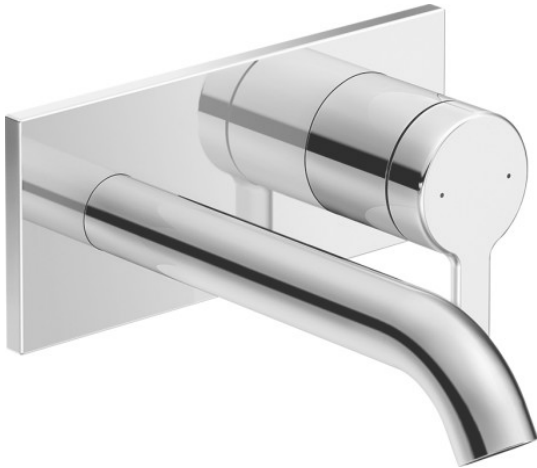
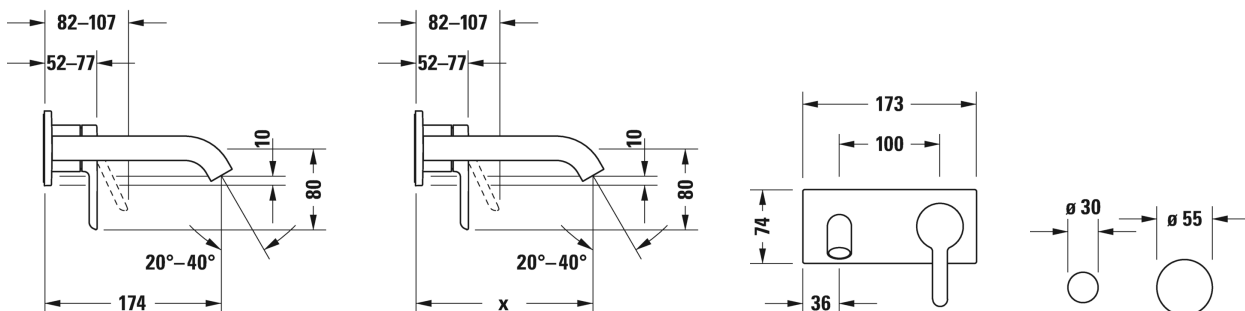


C.1 Single lever basin mixer for concealed installation # C110700030..



Single lever basin mixer for concealed installation	Dimension	Weight	Order number
normal spray, ceramic cartridge, aerator adjustable, connection type: basic set for concealed installation, includes: visible parts, recommended operating pressure 3 - 5 bar, Projection 174 mm			
Colors			
10 Chrome 46 Black Matt			
Variant			
surface chrome, flow rate 5,2 l/min (3 bar), UWL class 1, noise class I			C110700030..
Necessary accessory			
Basic set single lever basin mixer for concealed installation			GK1900002

All drawings contain the necessary measurements which are subject to standard tolerances. They are stated in mm and are non-binding. Exact measurements, in particular for customised installation scenarios, can only be taken from the finished piece.



C.1 Single lever basin mixer for concealed installation # C110700030..

