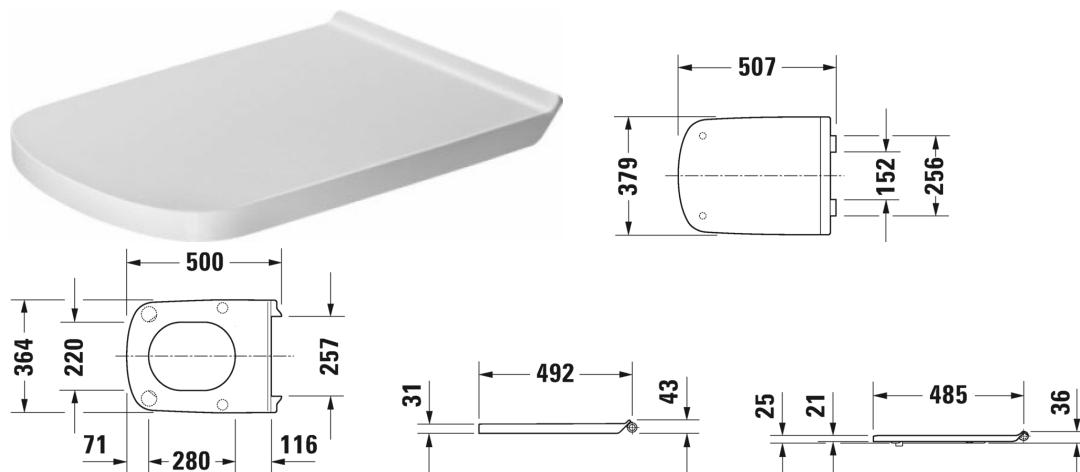


**DuraStyle Toilet seat and cover # 0062390000**



| Toilet seat and cover   | Dimension    | Weight         | Order number |
|---|--------------|----------------|--------------|
| elongated, with lateral reinforcement and extended hinge shaft, hinges stainless steel, with soft closure   |              |                |              |
| <b>Colors</b>   |              |                |              |
| 00 White Alpin  |              |                |              |
| <b>Variant</b>  |              |                |              |
|   |              | 3.100 kilogram | 0062390000   |
| <b>Suitable products</b>  |              |                |              |
| Toilet wall mounted Duravit Rimless® rimless, washdown model, suitable for barrier-free applications, projection 700 mm, Durafix included, UWL class 1, 4,5 l, 370 x 700 mm | 370 x 700 mm |                | 255909       |

*All drawings contain the necessary measurements which are subject to standard tolerances. They are stated in mm and are non-binding. Exact measurements, in particular for customised installation scenarios, can only be taken from the finished piece.*