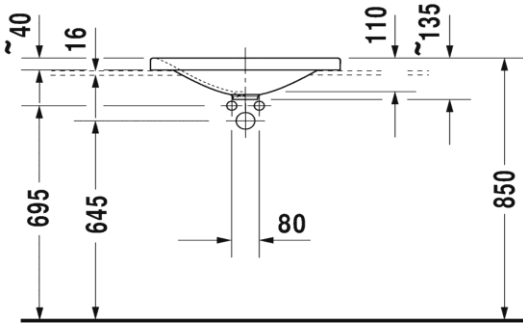
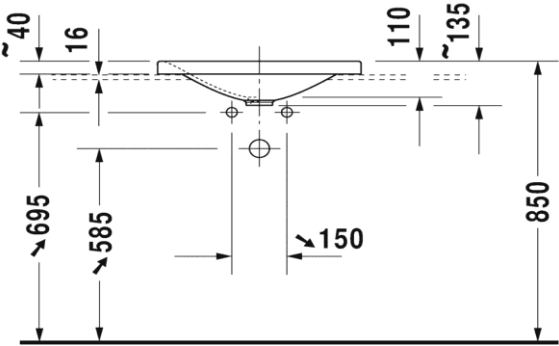
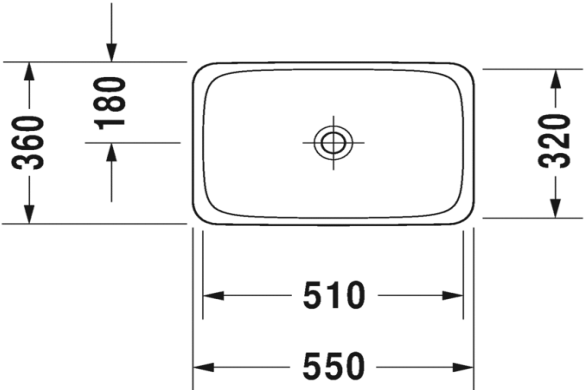


TECHNICAL SCHEDULE



P3 drop in basin

Code: 377.55



Inspirational + European + Bathroomware

t 09 444 5656

e info@metrix.co.nz

www.metrix.co.nz