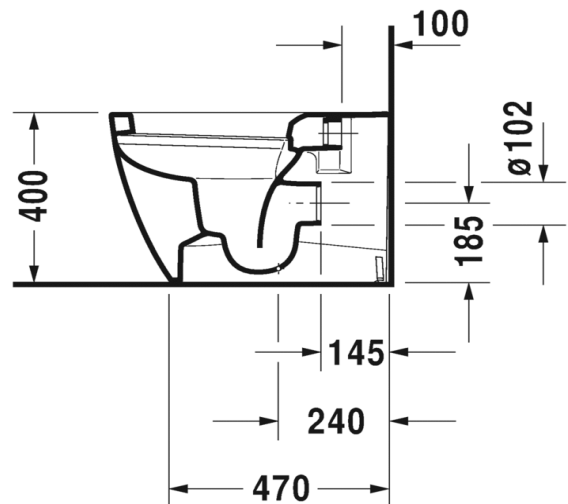
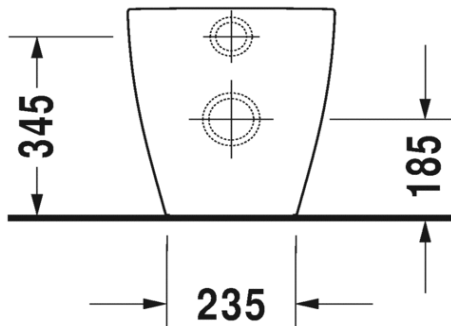
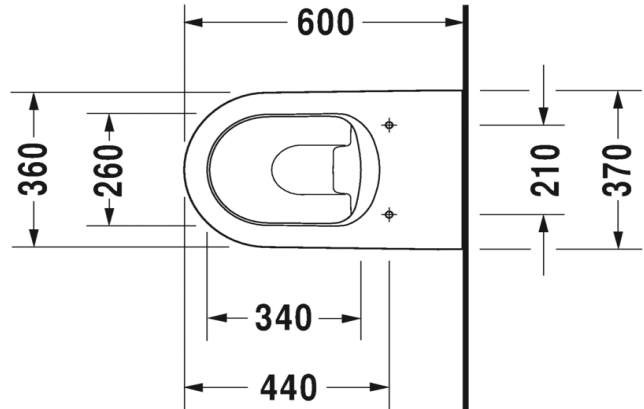


DURAVIT ME by Starck

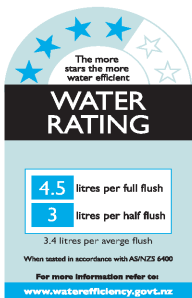
2169.09

Floor mounted pan for inwall cistern
(requires toilet seat 020.09)



5 Year warranty (Vitreous China)

WELS Rating: 4 Star - 4.5/3 L



Max. Operating Pressure: 500Kpa.

Min. Operating Pressure: 50Kpa.

Pipework must be flushed before installation

Please install as per manufacturers instructions in the box

Due to our policy of continuous product development, the design and specification shown are subject to change without notice.

Please confirm all particulars with your sales consultant prior to purchase.