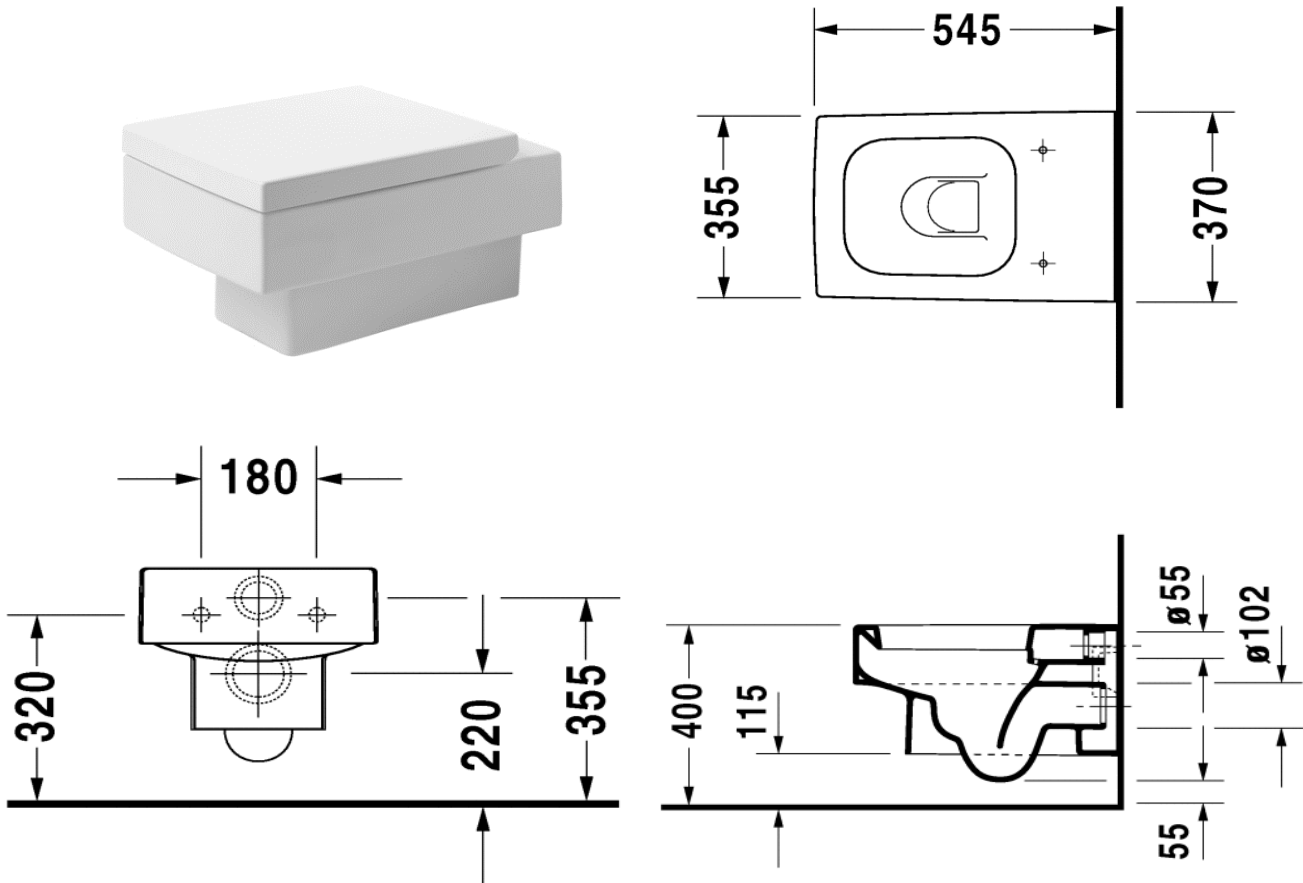


DURAVIT Vero

Duravit Vero wall mounted toilet pan
(Requires soft close seat 067.69 - 067.69BL)

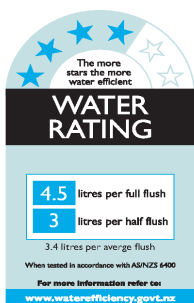
2217.09 - 2217.09BL

BL = Black



5 Year warranty (Vitreous China)

WELS Rating: 4 Star - 4.5/3 L



Max. Operating Pressure: 500Kpa.

Min. Operating Pressure: 50Kpa.

Pipework must be flushed before installation

Please install as per manufacturers instructions in the box

Due to our policy of continuous product development, the design and specification shown are subject to change without notice.

Please confirm all particulars with your sales consultant prior to purchase.