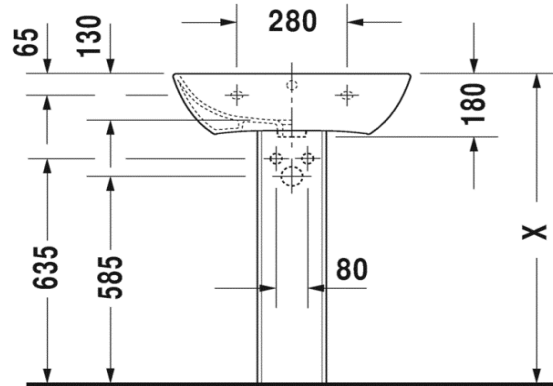
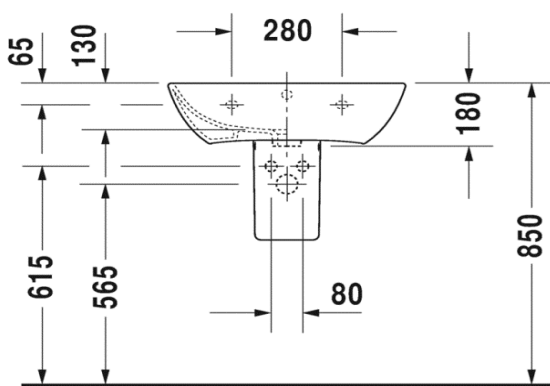
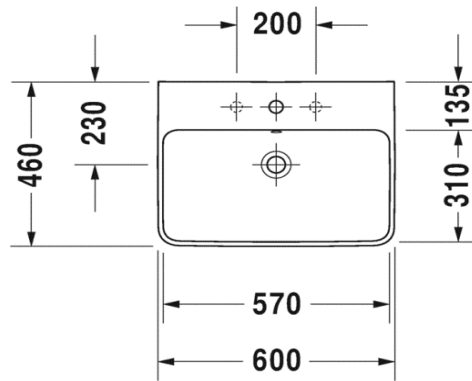


# TECHNICAL SCHEDULE



Duravit ME by Starck washbasin

Code: 2335.60



*Inspirational + European + Bathroomware*

t 09 444 5656

e info@metrix.co.nz

www.metrix.co.nz