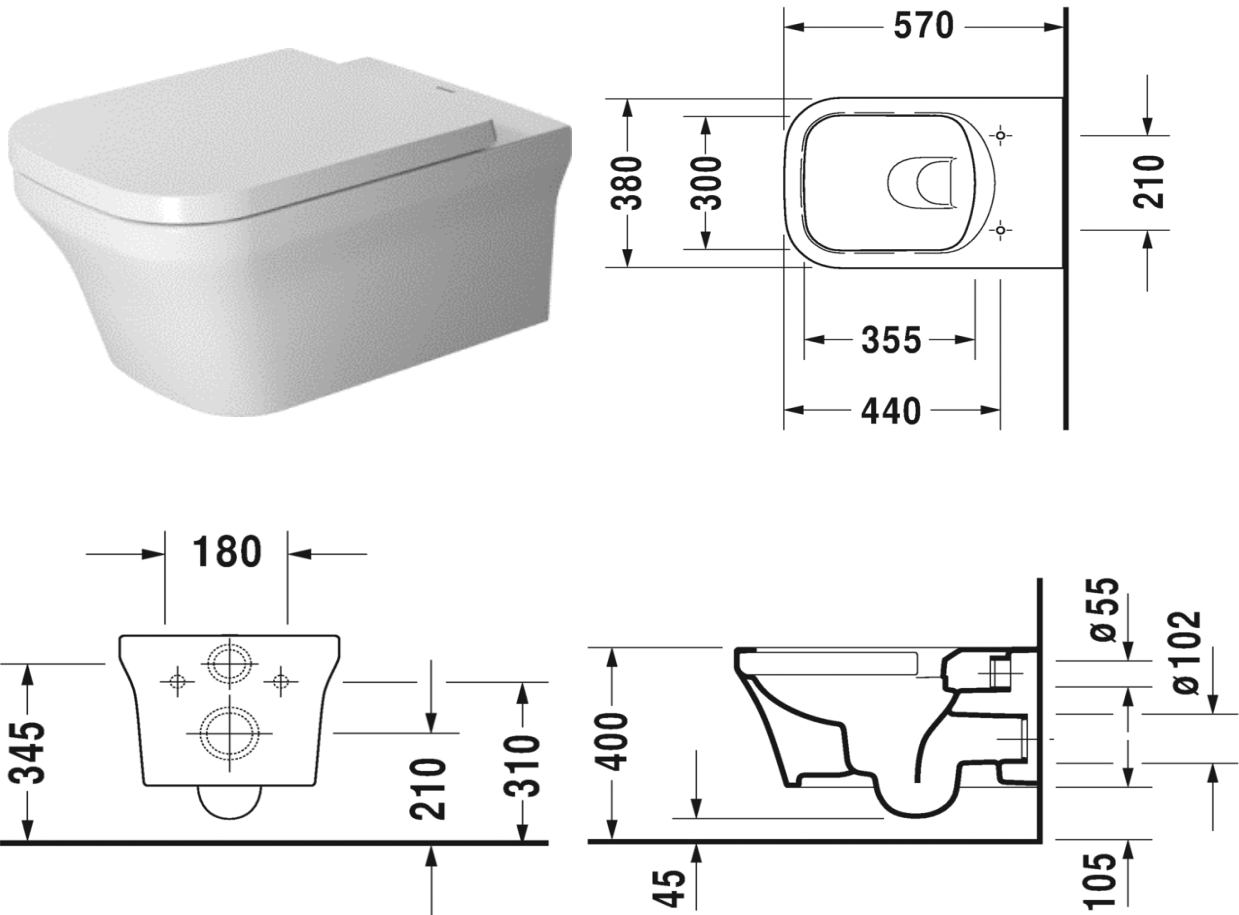


DURAVIT P3 Comforts

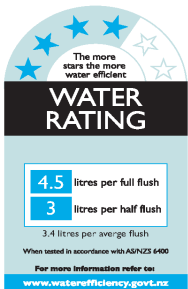
Duravit P3 Comforts wall hung rimless toilet with HygieneGlaze
(Requires soft close seat 020.39)

2561.09



5 Year warranty (Vitreous China)

WELS Rating: 4 Star - 4.5/3 L



Max. Operating Pressure: 500Kpa.

Min. Operating Pressure: 50Kpa.

Pipework must be flushed before installation

Please install as per manufacturers instructions in the box

Due to our policy of continuous product development, the design and specification shown are subject to change without notice.

Please confirm all particulars with your sales consultant prior to purchase.