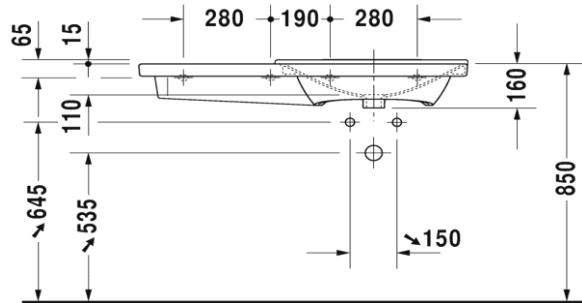
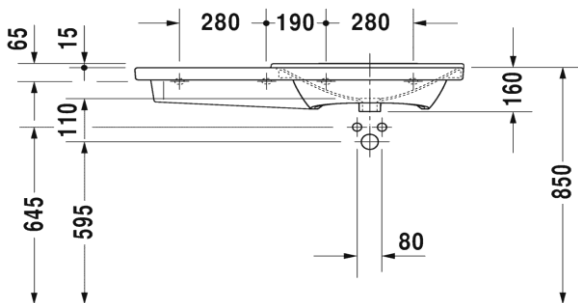
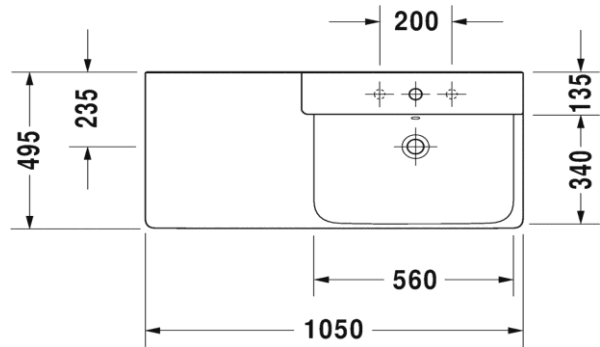
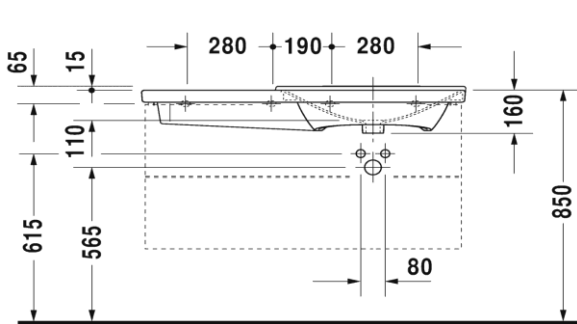


# TECHNICAL SCHEDULE



P3 wall mounted furniture basin

Code: 2334.10



*Inspirational + European + Bathroomware*

t 09 444 5656

e info@metrix.co.nz

www.metrix.co.nz