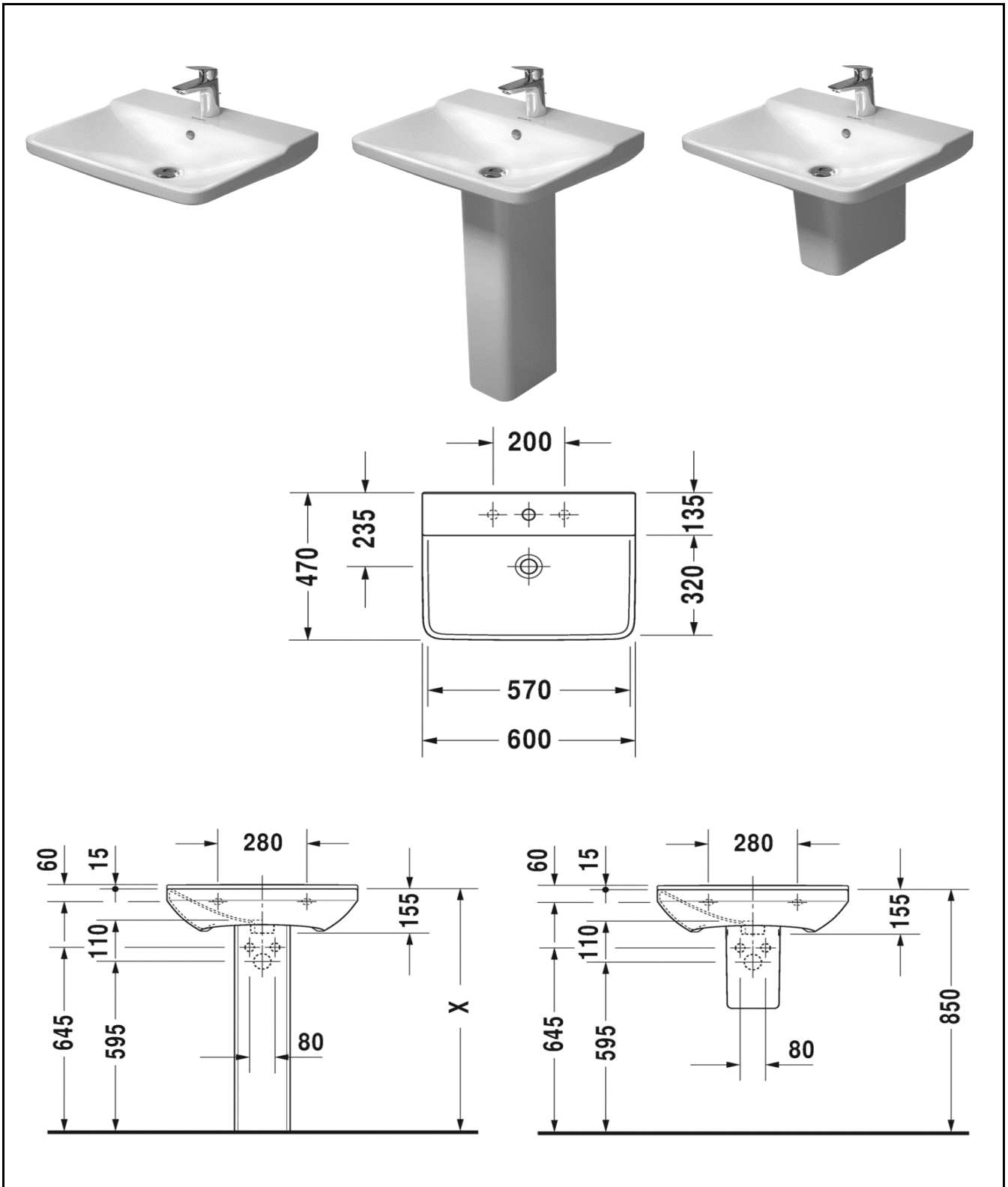


TECHNICAL SCHEDULE

P3 washbasin

Code: 2331.60



Inspirational + European + Bathroomware

t 09 444 5656

e info@metrix.co.nz

www.metrix.co.nz