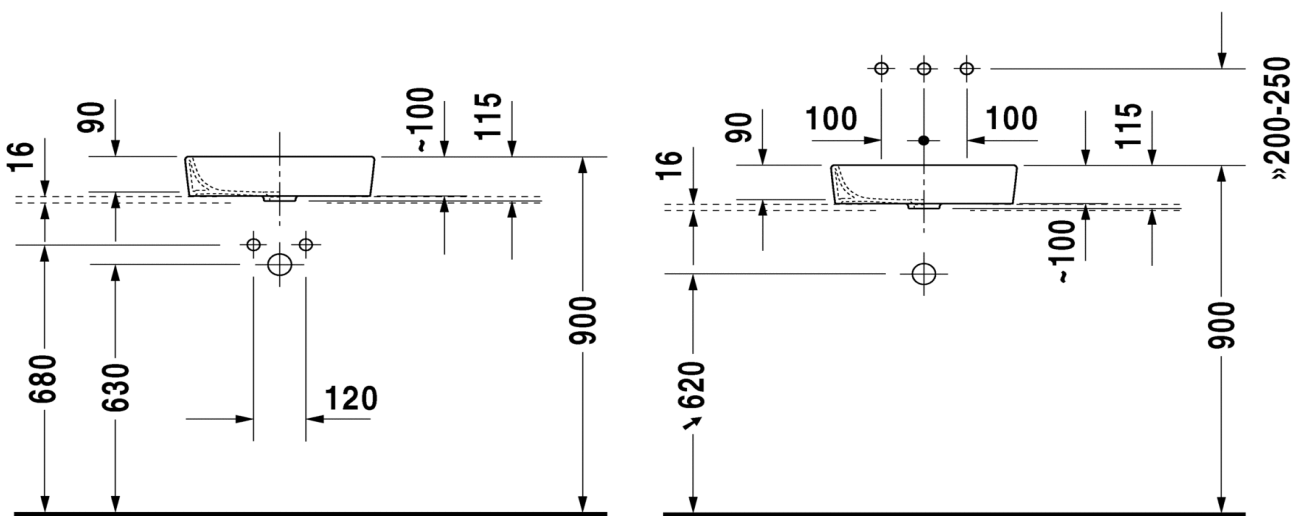
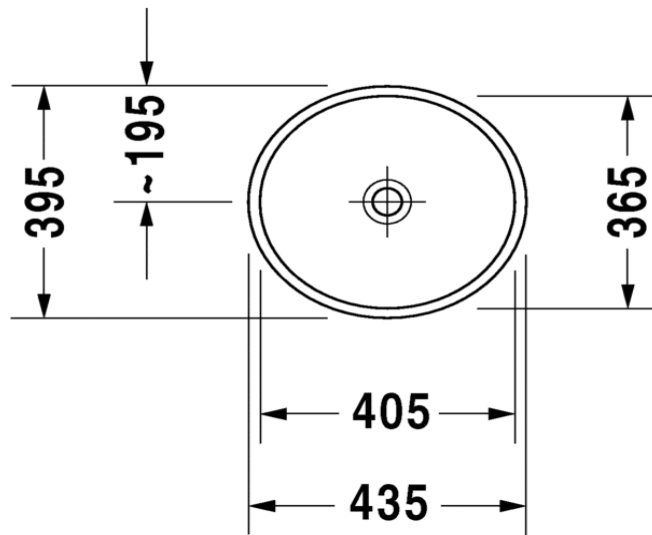


TECHNICAL SCHEDULE



Duravit Starck 2 Washbasin ground

Code: 2321.44



Inspirational + European + Bathroomware

t 09 444 5656

e info@metrix.co.nz

www.metrix.co.nz