

Starck 2



- ▶ Washbasins with generous surrounds
- ▶ Sizes range from 500 to 650 mm – a perfect fit for small and large bathrooms
- ▶ Wall-mounted toilet available as washdown or washout model
- ▶ Cistern with water-saving dual flush technology (3/6 litre flush)
- ▶ Combines well with all products from Starck 1
- ▶ Excellent value for money

Colour group	A			B			C
Colour / ref. of colour	White – 00	Manhattan – 11	Amber – 41	Pergamon – 47	Greenwich – 52	Key West – 56	Edelweiss – 78
available	●						

MM > INCHES

mm > inches							
5	$\frac{1}{8}$	295	$11 \frac{5}{8}$	585	23	880	$34 \frac{5}{8}$
10	$\frac{3}{8}$	300	$11 \frac{3}{16}$	590	$23 \frac{1}{4}$	885	$34 \frac{7}{8}$
15	$\frac{5}{8}$	305	12	595	$23 \frac{3}{8}$	890	35
20	$\frac{3}{4}$	310	$12 \frac{1}{4}$	600	$23 \frac{5}{8}$	895	$35 \frac{1}{4}$
25	1	315	$12 \frac{3}{8}$	605	$23 \frac{3}{4}$	900	$35 \frac{1}{2}$
30	$1 \frac{1}{8}$	320	$12 \frac{5}{8}$	610	24	915	36
35	$1 \frac{3}{8}$	325	$12 \frac{3}{4}$	615	$24 \frac{1}{4}$	920	$36 \frac{1}{4}$
40	$1 \frac{5}{8}$	330	13	620	$24 \frac{1}{2}$	925	$36 \frac{3}{8}$
45	$1 \frac{3}{4}$	335	$13 \frac{1}{4}$	625	$24 \frac{5}{8}$	935	$36 \frac{3}{4}$
50	2	340	$13 \frac{3}{8}$	630	$24 \frac{3}{4}$	940	37
55	$2 \frac{1}{8}$	345	$13 \frac{5}{8}$	635	25	980	$38 \frac{5}{8}$
60	$2 \frac{3}{8}$	350	$13 \frac{3}{4}$	640	$25 \frac{1}{4}$	995	$39 \frac{1}{8}$
65	$2 \frac{1}{2}$	355	14	645	$25 \frac{3}{8}$	1000	$39 \frac{3}{8}$
70	$2 \frac{3}{4}$	360	$14 \frac{1}{8}$	650	$25 \frac{5}{8}$	1015	40
75	3	365	$14 \frac{3}{8}$	655	$25 \frac{3}{4}$	1020	$40 \frac{1}{8}$
80	$3 \frac{1}{8}$	370	$14 \frac{1}{2}$	660	26	1030	$40 \frac{1}{2}$
85	$3 \frac{3}{8}$	375	$14 \frac{3}{4}$	665	$26 \frac{1}{4}$	1035	$40 \frac{3}{4}$
90	$3 \frac{1}{2}$	380	15	670	$26 \frac{3}{8}$	1045	$41 \frac{1}{8}$
95	$3 \frac{3}{4}$	385	$15 \frac{1}{8}$	675	$26 \frac{5}{8}$	1050	$41 \frac{3}{8}$
100	4	390	$15 \frac{3}{8}$	680	$26 \frac{3}{4}$	1070	$42 \frac{1}{8}$
105	$4 \frac{1}{8}$	395	$15 \frac{1}{2}$	685	27	1100	$43 \frac{1}{4}$
110	$4 \frac{3}{8}$	400	$15 \frac{3}{4}$	690	$27 \frac{1}{8}$	1150	$45 \frac{1}{4}$
115	$4 \frac{1}{2}$	405	16	695	$27 \frac{3}{8}$	1195	47
120	$4 \frac{3}{4}$	410	$16 \frac{1}{8}$	700	$27 \frac{1}{2}$	1200	$47 \frac{1}{4}$
125	$4 \frac{7}{8}$	415	$16 \frac{3}{8}$	705	$27 \frac{3}{4}$	1220	48
130	$5 \frac{1}{8}$	420	$16 \frac{1}{2}$	710	28	1225	$48 \frac{1}{4}$
135	$5 \frac{3}{8}$	425	$16 \frac{3}{4}$	715	$28 \frac{1}{8}$	1240	$48 \frac{7}{8}$
140	$5 \frac{1}{2}$	430	$16 \frac{7}{8}$	720	$28 \frac{3}{8}$	1300	$51 \frac{1}{8}$
145	$5 \frac{3}{4}$	435	$17 \frac{1}{8}$	725	$28 \frac{1}{2}$	1320	52
150	$5 \frac{7}{8}$	440	$17 \frac{3}{8}$	730	$28 \frac{3}{4}$	1400	$55 \frac{1}{8}$
155	$6 \frac{1}{8}$	445	$17 \frac{1}{2}$	735	$28 \frac{7}{8}$	1415	$55 \frac{1}{4}$
160	$6 \frac{1}{4}$	450	$17 \frac{3}{4}$	740	$29 \frac{1}{8}$	1515	$59 \frac{5}{8}$
165	$6 \frac{1}{2}$	455	$17 \frac{7}{8}$	745	$28 \frac{3}{8}$	1600	63
170	$6 \frac{3}{4}$	460	$18 \frac{1}{8}$	750	$29 \frac{1}{2}$	2000	$78 \frac{3}{4}$
175	$6 \frac{7}{8}$	465	$18 \frac{1}{4}$	755	$29 \frac{3}{4}$	2015	$79 \frac{3}{8}$
180	$7 \frac{1}{8}$	470	$18 \frac{1}{2}$	760	$29 \frac{7}{8}$	2500	$98 \frac{1}{2}$
185	$7 \frac{1}{4}$	475	$18 \frac{3}{4}$	765	$30 \frac{1}{8}$		
190	$7 \frac{1}{2}$	480	$18 \frac{7}{8}$	770	$30 \frac{3}{8}$		
195	$7 \frac{5}{8}$	485	$19 \frac{1}{8}$	775	$30 \frac{1}{2}$		
200	$7 \frac{7}{8}$	490	$19 \frac{1}{4}$	780	$30 \frac{3}{4}$		
205	$8 \frac{1}{8}$	495	$19 \frac{1}{2}$	785	$30 \frac{7}{8}$		
210	$8 \frac{1}{4}$	500	$19 \frac{5}{8}$	790	$31 \frac{1}{8}$		
215	$8 \frac{1}{2}$	505	$19 \frac{7}{8}$	795	$31 \frac{1}{4}$		
220	$8 \frac{5}{8}$	510	$20 \frac{1}{8}$	800	$31 \frac{1}{2}$		
225	$8 \frac{7}{8}$	515	$20 \frac{1}{4}$	805	$31 \frac{3}{4}$		
230	9	520	$20 \frac{1}{2}$	810	$31 \frac{7}{8}$		
235	$9 \frac{1}{4}$	525	$20 \frac{5}{8}$	815	$32 \frac{1}{8}$		
240	$9 \frac{1}{2}$	530	$20 \frac{7}{8}$	820	$32 \frac{1}{4}$		
245	$9 \frac{5}{8}$	535	21	825	$32 \frac{1}{2}$		
250	$9 \frac{7}{8}$	540	$21 \frac{1}{4}$	835	$32 \frac{7}{8}$		
255	10	545	$21 \frac{1}{2}$	840	$33 \frac{1}{8}$		
260	$10 \frac{1}{4}$	550	$21 \frac{5}{8}$	845	$33 \frac{1}{4}$		
265	$10 \frac{3}{8}$	555	$21 \frac{7}{8}$	850	$33 \frac{1}{2}$		
270	$10 \frac{5}{8}$	560	22	855	$33 \frac{5}{8}$		
275	$10 \frac{7}{8}$	565	$22 \frac{1}{4}$	860	$33 \frac{7}{8}$		
280	11	570	$22 \frac{1}{2}$	865	34		
285	$11 \frac{1}{4}$	575	$22 \frac{5}{8}$	870	$34 \frac{1}{4}$		
290	$11 \frac{3}{8}$	580	$22 \frac{7}{8}$	875	$34 \frac{1}{2}$		



INTERNATIONAL STANDARDS

EU STANDARDS

	Serie	Description	Model-No.	KIWA	IAPMO	QAS	CSA	Singapore	
International Standards P = Pending ● = Listed	■ 1930	Cistern	087220..03			●			
		Cistern, US version	087223..01		●				
		Toilet, floor st., vertical outlet	022701..00				●		●
	■ Architec	Toilet, floor st., horiz. outlet	022709..00				●		
		Toilet, US version	015101..00			●			
	■ Architec	Toilet, wall-mounted	018209..00						●
		Toilet, wall-mounted	019009..00	●			●		
	■ Bacino	Washbasin	044958..00						
		Washbowl	032542..00					●	
	■ Caro	Cistern	087250..01						●
		Toilet floor-st., Vario outlet	022509..00						●
	■ Darling	Toilet, wall-mounted	015609..00			●			
		Cistern	872600..01	●			●		
		Cistern, Singapore standard	872620..01						●
		Toilet, floor-st., vertical outlet	023201..00	●			●		●
		Toilet, floor-st., horiz. outlet	023209..00	●			●		●
	■ Dellarco	Toilet, wall-mounted	020709..00			●		●	
		Cistern	087301..01						●
		Cistern, Singapore standard	087321..00						●
		Toilet, floor-st., horiz. outlet	015009..00				●		
		Toilet, floor-st., vertical outlet	021801..00						●
	■ Duraplus	Toilet, floor-st., horiz. outlet	021809..00						●
		Cistern	087920..01	●			●		
		Cistern	088630..01				●		
		Cistern NL standard	087922..02	●					
		Cistern, Singapore standard	087924..01						●
		Toilet, wall-mounted	022809..00				●		
		Toilet, floor-st., vertical outlet	022901..00	●			●		●
		Toilet, floor-st., horiz. outlet	022909..00	●			●		
		Toilet, floor-st., Vario outlet	022409..00				●		
		Toilet, floor-st., Vario, washout	024609..00				●		
	■ Foster	Toilet, wall-mounted	019209..00				●		
		Toilet, wall-mounted	254709..00						●
		Cistern	091200..00				●		
	■ Giamo	Toilet, wall-mounted, washout	017509..00			●		●	P
		Toilet, floor-st., vertical outlet	017609..00				●		P
		Cistern	088200..01						●
	■ Giorno	Toilet, floor-st., Vario outlet	024209..00						●
		Toilet, wall-mounted	019109..00						●
		Cistern	0911000001			P		P	
	■ Happy D.	Toilet, wall-mounted, washout	017309..00			●		●	
		Toilet, floor-st., Vario outlet	024709..00			P		P	
		Cistern	091000..01				●		
		Toilet, floor-st., horiz. outlet	017009..00			P			
		Toilet, wall-mounted	017109..00			●		●	
	■ Katya	Toilet, floor-st., Vario outlet	017009..00				●		
		Toilet, wall-mounted	018409..00	●					●
■ Metro	Toilet, one piece US version	015701..01			●		●		
	Cistern, British standard	872900..01				●			
■ Starck 2	Toilet, floor-st., Vario outlet	023809..00				●			
	Toilet, wall-mounted	016009..00			●		●		
■ Starck 3	Toilet, one piece US version	016301..01			●		●		
	Cistern, British standard	092000..01	P			P			
	Toilet, floor-st., horiz. outlet	012409..00				P			
	Toilet, cl.-coup., Vario outlet	012809..00				P			
	Toilet, wall-mount., washdown	220009..00	P	P		P	P		
	Toilet, wall-mount., compact	220209..00	P			P			
	Toilet, cl.-coup., vertical outlet	012601..00	P			P			
	Toilet, cl.-coup., horiz. outlet	012609..00	P			P			
■ Tribeca	Vanity basin	030549..00			●				
	Toilet, one piece US version	015901..01			●		●		
■ Urinals	Urinal, waterless	084436..00			●	P			
	Urinal, electronic	083035..00			P	P			
■ Vero	Washbasin	045460..00			●		●		
EU Standards	Item		Dimension	Function					
	Washbasin		EN 31						
	Washbasin		EN 32						
	Handrinse basin		EN 111						
	Wall mounted toilet, close-coupled, with cistern		EN 34	EN 997					
	Wall mounted toilet for concealed cistern		EN 38	EN 997					
	Floor-standing toilet, close-coupled, with cistern		EN 33	EN 997					
	Floor-standing toilet for independent water supply		EN 37	EN 997					
	Urinal		EN 80	DIN 1390					
	Floor-standing bidet		EN 35						
	Wall-mounted bidet		EN 36						



Design: Philippe Starck



GB Washbasin

F Lavabo

NL Wastafel

I Lavabo

E Lavabo # 04115500*0/04116000*0/04116500*0

21 ⁵/₈ / 23 ⁵/₈ / 25 ⁵/₈ inches
 ← 550/600/650 mm →

Technical Data	
#	04115500*0/04116000*0/04116500*0
Tap holes	→ Page 1-5 0411550000/0411600000/0411650000: ○ ● ○ 0411550030/0411600030/0411650030: ● ● ●
mm	550 x 470/600 x 500/650 x 510
kg	12,8/15,4/17,0
Accessories	Pedestal · Colonne · Zuil · Colonna · Pedestal, # 0863800000 Siphon cover · Cache-siphon · Sifonkap · Semicolonna · Semipedestal, # 0863810000
Installation	2 bolts · goujons · schroeven · bulloni · tornillos, 10 x 140 mm
Colours	00

mm	A	B	C	D	E
550	550	470	200	225	60
600	600	500	200	225	70
650	650	510	205	220	75

Technical Drawing		Scale 1 : 20
# 041160	X To determine height please set washbasin on pedestal.	

STARCK 2

Design: Philippe Starck



- GB** Handrinse basin
- F** Lave-mains
- NL** Handwasbak
- I** Lavamani
- E** Lavamanos # 0761500000

19 ⁵/₈ inches
 ← 500 mm →

Technical Data	
#	0761500000
Tap holes	→ Page 1-5 ●
mm	500 x 410
kg	10,2
Accessories	Siphon cover · Cache-siphon · Sifonkap · Semicolonna · Semipedestal, # 0863820000
Installation	2 bolts · goujons · schroeven · bulloni · tornillos, 10 x 140 mm
Colours	00

Technical Drawing		Scale 1 : 20

STARCK 2

DURAVIT

Design: Philippe Starck



- GB Handrinse basin
 F Lave-mains
 NL Handwasbak
 I Lavamani
 E Lavamanos # 0761380000

15 inches
 ← 380 mm →

Technical Data	
#	0761380000
Tap holes	● ● Pre-punched tap hole right/left, without overflow · Trou prépercé à droite/gauche, sans trop-plein · Kraangat voorgestoken rechts/links, zonder overloop · Foro per rubinetto a destro/sinistro, pastigliato, senza troppopieno · Agujero para grifería hecho derecha/izquierda, sin rebosadero
mm	380 x 260
kg	5,3

Technical Data	
Accessories	Siphon cover · Cache-siphon · Sifonkap · Semicolonna · Semipedestal, # 0863830000 Slotted waste · Bonde · Afvoerventiel · Piletta · Tapón de desagüe, Chrome · Chromé · Chroom · Cromato · Cromado, # 0050241000 Satinox, # 0050246500
Installation	2 bolts · goujons · schroeven · bulloni · tornillos, 10 x 140 mm
Colour	00

Technical Drawing		Scale 1 : 20

STARCK 2

Design: Philippe Starck



GB Pedestal
 F Colonne
 NL Zuil
 I Colonna
 E Pedestal # 0863800000



Siphon cover
 Cache-siphon
 Sifonkap
 Semicolonna
 Semipedestal # 0863810000 / 0863820000

Technical Data	
#	0863830000
	for washbasin · pour lavabo · voor wastafel · per lavabo · para lavabo, # 0411550000/0411600000/0411650000
kg	8,7
Colour	00

Technical Data	
#	0863810000/0863820000
	→ # 0863820000 for handrinse basin · pour lave-mains · voor handwasbak · per lavamani · para lavamanos, # 0761500000 → # 0863810000 for washbasin · pour lavabo · voor wastafel · per lavabo · para lavabo, # 0411550000/0411600000/0411650000
kg	5,8/5,4
Installation	# 0055030000
Colours	00



Design: Philippe Starck



- GB Siphon cover
 F Cache-siphon
 NL Sifonkap
 I Semicolonna
 E Semipedestal # 0863830000

Technical Data	
#	0863830000
	for handrinse basin · pour lave-mains · voor handwasbak · per lavamani · para lavamanos, # 0761380000
kg	2,8
Installation	# 0055040000
Colour	00

STARCK 2

DURAVIT

Design: Philippe Starck

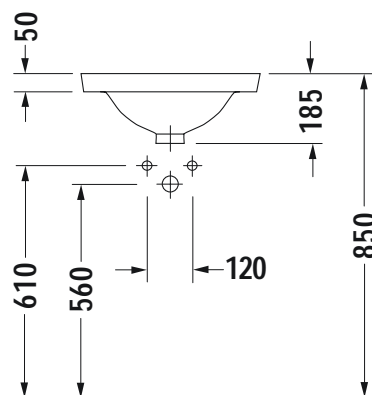
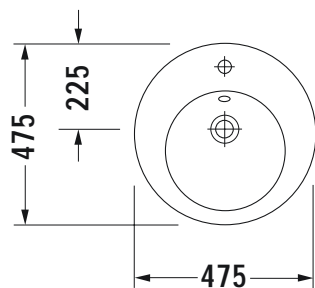


- GB Vanity basin
 F Vasque
 NL Opbouwwastafel
 I Lavabo a incasso
 E Lavabo empotrable # 0478470000

18 ³/₄ inches
 Ø 475 mm

Technical Data	
#	0478470000
Countertop model · Montage par-dessus · Opbouwwastafel · Per incasso dall'alto · Para montaje desde arriba	
Tap holes	→ Page 1-5 ●
mm	Ø 475
kg	9,0
Installation	Glued in · Collée · Montage gekleefd · Montaggio con colla · Se pega
Info	With mounting template · Avec plan de découpe · Met sjabloon voor montage · Con dima di montaggio · Con accesorios de montaje
Colours	00

Technical Drawing	
Scale 1 : 20	



STARCK 2

DURAVIT

Design: Philippe Starck



- GB** Wall-mounted bidet
F Bidet suspendu
NL Wandbidet
I Bidet sospeso
E Bidé suspendido # 0263150000

Technical Data	
#	0263150000
Tap holes	→ Page 1-5 ●
kg	20,6
Accessories	Tube siphon with outlet pipe 1 1/4" and extension · Siphon 1 1/4" en S avec tube de sortie et prolongateur · Bidet-buissifon 1 1/4" met afvoerbuis en verlenging · Sifone a tubo per bidet 1 1/4" con tubo d'uscita e prolunga · Sifón tubular 1 1/4" con tubo de desagüe y alargador, # 0050270000
Installation	# 0065001000
Colours	00

Technical Drawing		Scale 1 : 20
<p>Top view dimensions: 565 (width), 355 (depth), 160 (width to center), 75 (width to edge).</p> <p>Side profile view dimensions: 400 (height), 210 (height to top), 90 (height to bottom).</p> <p>Front view dimensions: 180 (width), 310 (height), 90 (height to top), 145 (height to bottom), 80 (width to center).</p>		

STARCK 2

Design: Philippe Starck



- GB Floor standing bidet
 F Bidet sur pied
 NL Staand bidet
 I Bidet a pavimento
 E Bidé de pie # 0263100000

Technical Data	
#	0263100000
Tap holes	→ Page 1-5 ●
kg	24,6
Accessories	Tube siphon with outlet pipe 1 1/4" and extension · Siphon 1 1/4" en S avec tube de sortie et prolongateur · Bidet-buissifon 1 1/4" met afvoerbuis en verlenging · Sifone a tubo per bidet 1 1/4" con tubo d'uscita e prolunga · Sifón tubular 1 1/4" con tubo de desagüe y alargador, # 0050270000
Installation	inclusive · inclus · inclusief · incluso · incluida
Colours	00

Technical Drawing		Scale 1 : 20

STARCK 2

Design: Philippe Starck

US Version
IAPMO listed

- GB** Wall-mounted toilet
 F Cuvette suspendue
 NL Wand-WC
 I Vaso sospeso
 E Inodoro suspendido # 0160090000

Technical Data	
#	01600900
♦ Washdown toilet · Cuvette à fond creux · Diepspoel-WC · Vaso a cacciata · Inodoro de lavado inferior	
kg	24,5
Accessories	Toilet seat and cover · Abattant · WC-zitting · Sedile · Asiento y tapa, # 0066910000 Noise reduction gasket · Set de protection acoustique · Geluiddemping-set · Set insonorizzante per tutti i vasi sospesi · Junta para reducción de ruido, # 0050200000
Colours	00

Technical Data	
Installation	# 006500*00
Installation kit	# 001432*00
Info	** 00 – White · Blanc · Wit · Bianco · Blanco 10 – Chrome · Chromé · Chroom · Cromato · Cromado

Technical Drawing		Scale 1 : 20

STARCK 2

Design: Philippe Starck



- GB** Wall-mounted toilet
 F Cuvette suspendue
 NL Wand-WC
 I Vaso sospeso
 E Inodoro suspendido # 0161090000

Technical Data	
#	01610900
	♣ Washout toilet · Cuvette à fond plat · Vlakspoel-WC · Vaso a fondo piano · Inodoro de lavado superior
kg	22,5
Accessories	Toilet seat and cover · Abattant · WC-zitting · Sedile · Asiento y tapa, # 0066910000 Noise reduction gasket · Set de protection acoustique · Geluiddemping-set · Set insonorizzante per tutti i vasi sospesi · Junta para reducción de ruido, # 0050200000
Colours	00

Technical Data	
Installation	# 006500**00
Installation kit	# 001432**00
Info	** 00 – White · Blanc · Wit · Bianco · Blanco 10 – Chrome · Chromé · Chroom · Cromato · Cromado

Technical Drawing		Scale 1 : 20

STARCK 2

DURAVIT

Design: Philippe Starck



- GB** Back-to-wall toilet
F Cuvette sur pied
NL Staand WC
I Vaso a pavimento
E Inodoro # 0162090000

Technical Data	
#	01620900
	♦ Washdown toilet, for independent water supply · Cuvette à fond creux · Diepspoel-WC · Vaso a cacciata, per entrata dell'acqua libera · Inodoro de lavado inferior Horizontal outlet · Sortie horizontale · Horizontale afvoer · Scarico a parete · Desagüe horizontal
kg	25,3
Accessories	Toilet seat and cover · Abattant · WC-zitting · Sedile · Asiento y tapa, # 0066910000
Installation	inclusive · inclus · inclusief · incluso · incluida
Colours	00

	A/Z
Flushometer · Robinet de chasse d'eau · Drukspoelsysteem · Pulsante di risciacquo · Fluxometro	160
Concealed cistern · Réservoir caché · Reservoir verborgen · Cassetta nascosta · Cisterna oculta	110
Cistern · Réservoir · Reservoir · Cassetta di sciacquo esterna · Cisterna	125
	155
	185

Technical Drawing		Scale 1 : 20

STARCK 2

DURAVIT

Design: Philippe Starck



- GB** Floor standing toilet (close-coupled)
F Cuvette sur pied (pour réservoir)
NL Staand WC (voor reservoir)
I Vaso a pavimento (per cassetta appoggiata)
E Inodoro (para tanque bajo) # 0238090000

Technical Data	
#	0238090000
	Washdown toilet · Cuvette à fond creux · Diepspoel-WC · Vaso a cacciata · Inodoro de lavado inferior Horizontal outlet · Sortie horizontale · Horizontale afvoer · Scarico a universale · Desagüe horizontal
kg	24,5
Accessories	Cistern · Réservoir · Reservoir · Cassetta · Cisterna, # 8729000001/8729100001 Toilet seat and cover · Abattant · WC-zitting · Sedile · Asiento y tapa, # 0066910000 Lateral covers (optional), to conceal the siphon aera · Habillage des côtés arrières de la cuvette (option) · Laterale bekleding (optioneel) die verbergt sifonomgeving · Rivestimento laterale (opzionale) per nascondere la cerchia del sifone, lamiera d'acciaio ·

Technical Data	
Accessories	Embellededor para ocultar sifón (opcional), # 0050320000
Installation	inclusive · inclus · inclusief · incluso · incluida
Info	Vario outlet set · Set de raccordement universel Vario · Vario-set voor universele aansluiting · Completo d'allacciamento Vario · Surtido de conexión Vario, # 0014220000 Special connector for vertical outlet · Afvoer buis speciaal voor vertikale aansluiting · Tubo d'uscita speciale per allacciamento verticale · Tubo de desagüe especial para salida vertical, # 8990250006 With universal outlet horizontal/vertical · Avec sortie universelle horizontale/verticale · Met universele afvoer voor horizontale/verticale aansluiting · Con scarico universale per allacciamento orizzontale/verticale · Con surtido universal horizontal/vertical
Colours	00

Technical Drawing		Scale 1 : 20
	# 0014220000	# 8990250006

Design: Philippe Starck



- GB** Cistern
 F Réservoir
 NL Reservoir
 I Cassetta
 E Cisterna # 8729000001 / 8729100001

Technical Data	
#	8729000001/8729100001
◆	Back or side supply · Alimentation latérale ou arrière · Voor aansluiting links/rechts en achter · Per attacco sinistro, destro o centrale · Suministro de agua en la parte posterior o lateral, # 8729000001
◆	Bottom supply · Alimentation par dessous · Voor aansluiting onderaan links · Per attacco sinistro basso · Suministro de agua en la parte inferior, # 8729100001
	With mechanism chrome with Dual-flush technology for 3/6 litre-flush · Avec mécanisme chromé, Dual-flush pour rinçage 3/6 litres · Met chroom mechanisme voorzien van een 3/6 liter drukknop · Con batteria cromata con tecnologia "Dual Flush" per sciacquo 3/6 litri · Con mecanismo cromo para 3/6 litros

Technical Data	
kg	10,4/10,4
Accessories	Conversion set for back supply · Set de transformation pour alimentation arrière · Aanpassingsset van achteraansluiting naar zijdelingse te veranderen · Set per allacciamento successivo per attacco centrale · Surtido para conversión centrada, # 0074941000
Colours	00

Technical Drawing		Scale 1 : 20

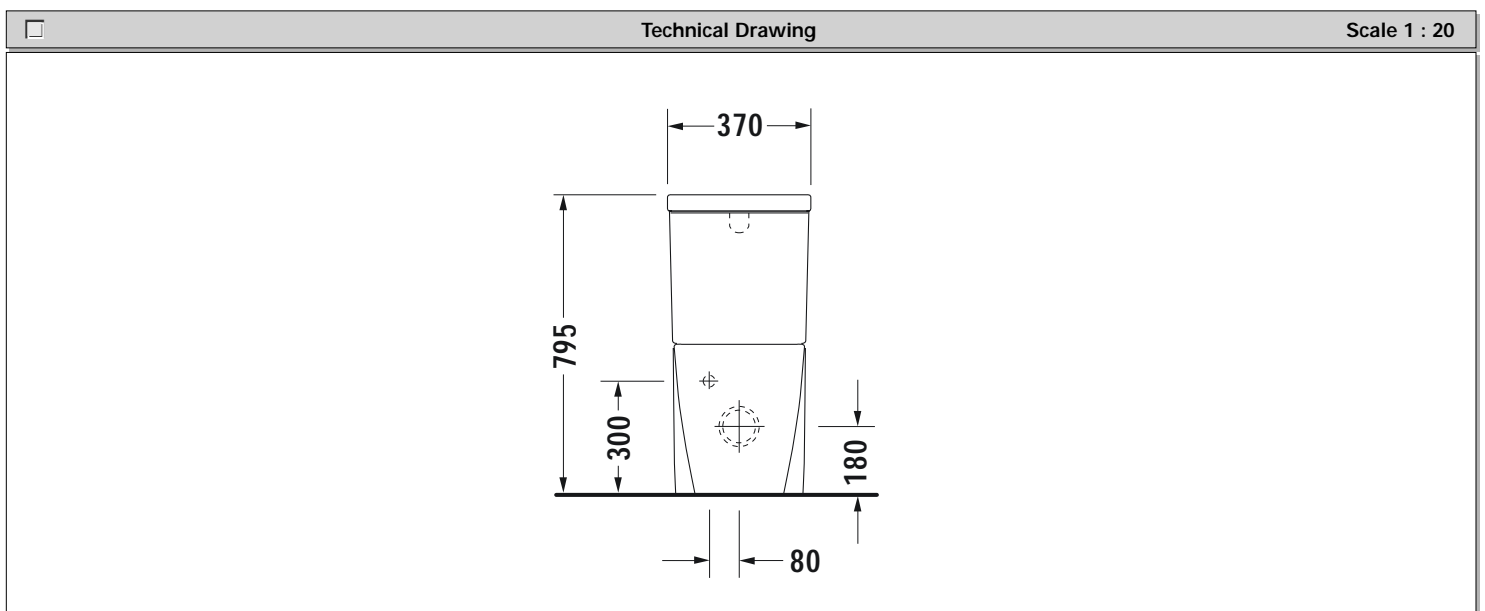
STARCK 2

Design: Philippe Starck



- GB Cistern
- F Réservoir
- NL Reservoir
- I Cassetta
- E Cisterna # 8729200001

Technical Data	
#	8729200001
	<ul style="list-style-type: none"> ▶ → Cistern Singapore standard, bottom left supply With mechanism chrome
kg	10,2
Colour	00



STARCK 2

DURAVIT

Design: Philippe Starck

US Version
IAPMO listed

- GB** One-piece US toilet
F Cuvette sur pied
NL Staand WC
I Vaso a pavimento
E Inodoro # 0163010001

Technical Data	
#	0163010001
	♦ Syphonic toilet, one-piece model · Cuvette siphonique avec réservoir intégré (type "one-piece") · Diepspoel-WC "one-piece" (met geïntegreerd reservoir) · Vaso a cacciata con cassetta integrata, tipo "one-piece" · Inodoro de lavado inferior con cisterna integrada, tipo "one-piece" · Vertical outlet · Sortie verticale · Verticale afvoer · Scarico a pavimento · Desagüe vertical
kg	40,0

Technical Data	
Accessories	Toilet seat and cover · Abattant · WC-zitting · Sedile · Asiento y tapa, # 0066910000
Installation	Installation kit, # 0014310000
Info	Bottom left supply · Alimentation par-dessous · Voor aansluiting onder links · Attacco sinistro basso · Suministro de agua por la parte inferior
Colours	00

Technical Drawing		Scale 1 : 20

STARCK 2

DURAVIT

Design: Philippe Starck



- GB** Urinal
F Urinoir
NL Urinoir
I Orinatoio
E Urinario # 083532..00 /with Fly 0835320007

12 ⁵/₈ inches

↔ 320 mm ↔

Technical Data	
#	083532..00/0835320007
	for cover · pour couvercle · voor deksel · per coperchio · para tapa
	Horizontal outlet · Sortie horizontale · Horizontale afvoer · Scarico a parete · Desagüe horizontal
mm	320 x 285
kg	10,5
Accessories	Cover for urinal · Couvercle pour urinoir · Deksel voor urinoir · Coperchio per orinatoio · Tapa para urinario, # 006591..00
	Siphon with siphonic action · Vidage à action siphonique · Urinoir met sifonwerking · Sifone ad aspirazione · Sifón de desagüe con mecanismo aspiratorio, # 005012000
	Urinal screen · Grille pour urinoir · Urinoirrooster · Filtro dell'orinatoio · Rejilla de urinario, # 0050411000

Technical Data	
Installation	inclusive · inclus · inclusief · incluso · incluida
Info	* Hinges · Charnières · Scharnieren · Cerniere · Bisagras: 1 – Stainless steel · Inox · Edelstaal · Inox · Acero inoxidable, 6 – Satinox
Colour	00

Technical Drawing		Scale 1 : 20

STARCK 2

DURAVIT

Design: Philippe Starck



- GB** Urinal
F Urinoir
NL Urinoir
I Orinatoio
E Urinario # 083432..00 / with Fly 0834320007

12 ⁵/₈ inches
 ← 320 mm →

Technical Data	
#	083432..00/0834320007
	Horizontal outlet · Sortie horizontale · Horizontale afvoer · Scarico a parete · Desagüe horizontal
mm	320 x 285
kg	9,5
Accessories	Siphon with siphonic action · Vidage à action siphonique · Urinoir met sifonwerking · Sifone ad aspirazione · Sifón de desagüe con mecanismo aspiratorio, # 005012000
	Urinal screen · Grille pour urinoir · Urinoirrooster · Filtro dell'orinatoio · Rejilla de urinario, # 0050411000
Installation	inclusive · inclus · inclusief · incluso · incluida
Colour	00

Technical Drawing		Scale 1 : 20

STARCK 2

DURAVIT

Design: Philippe Starck



- GB** Toilet seat and cover
- F** Abattant
- NL** WC-zitting
- I** Sedile
- E** Asiento y tapa # 0066910000

Technical Data	
#	0066910000
kg	3,0
Info	Hinges · Charnières · Scharnieren · Cerniere · Bisagras: Stainless steel · Inox · Edelstaal · Inox · Acero inoxidable
Colour	00