

Happy D. Series



- ▶ Distinctive overall design in the shape of the letter D.
- ▶ Washbasins available in widths 750 and 650 mm, the smaller model optionally in combination with chrome console
- ▶ A modern classic in the field of sanitaryware - and a real lucky strike when it comes to form, function and affordability
- ▶ Excellent value for money
- ▶ Designed by: Dieter Sieger

Colour group	A			B			C
Colour / ref. of colour	White - 00	Manhattan - 11	Amber - 41	Pergamon - 47	Greenwich - 52	Key West - 56	Edelweiss - 78
available	●						

MM > INCHES

mm > inches							
5	$\frac{1}{8}$	295	$11 \frac{5}{8}$	585	23	880	$34 \frac{5}{8}$
10	$\frac{3}{8}$	300	$11 \frac{3}{16}$	590	$23 \frac{1}{4}$	885	$34 \frac{7}{8}$
15	$\frac{5}{8}$	305	12	595	$23 \frac{3}{8}$	890	35
20	$\frac{3}{4}$	310	$12 \frac{1}{4}$	600	$23 \frac{5}{8}$	895	$35 \frac{1}{4}$
25	1	315	$12 \frac{3}{8}$	605	$23 \frac{3}{4}$	900	$35 \frac{1}{2}$
30	$1 \frac{1}{8}$	320	$12 \frac{5}{8}$	610	24	915	36
35	$1 \frac{3}{8}$	325	$12 \frac{3}{4}$	615	$24 \frac{1}{4}$	920	$36 \frac{1}{4}$
40	$1 \frac{5}{8}$	330	13	620	$24 \frac{1}{2}$	925	$36 \frac{3}{8}$
45	$1 \frac{3}{4}$	335	$13 \frac{1}{4}$	625	$24 \frac{5}{8}$	935	$36 \frac{3}{4}$
50	2	340	$13 \frac{3}{8}$	630	$24 \frac{3}{4}$	940	37
55	$2 \frac{1}{8}$	345	$13 \frac{5}{8}$	635	25	980	$38 \frac{5}{8}$
60	$2 \frac{3}{8}$	350	$13 \frac{3}{4}$	640	$25 \frac{1}{4}$	995	$39 \frac{1}{8}$
65	$2 \frac{1}{2}$	355	14	645	$25 \frac{3}{8}$	1000	$39 \frac{3}{8}$
70	$2 \frac{3}{4}$	360	$14 \frac{1}{8}$	650	$25 \frac{5}{8}$	1015	40
75	3	365	$14 \frac{3}{8}$	655	$25 \frac{3}{4}$	1020	$40 \frac{1}{8}$
80	$3 \frac{1}{8}$	370	$14 \frac{1}{2}$	660	26	1030	$40 \frac{1}{2}$
85	$3 \frac{3}{8}$	375	$14 \frac{3}{4}$	665	$26 \frac{1}{4}$	1035	$40 \frac{3}{4}$
90	$3 \frac{1}{2}$	380	15	670	$26 \frac{3}{8}$	1045	$41 \frac{1}{8}$
95	$3 \frac{3}{4}$	385	$15 \frac{1}{8}$	675	$26 \frac{5}{8}$	1050	$41 \frac{3}{8}$
100	4	390	$15 \frac{3}{8}$	680	$26 \frac{3}{4}$	1070	$42 \frac{1}{8}$
105	$4 \frac{1}{8}$	395	$15 \frac{1}{2}$	685	27	1100	$43 \frac{1}{4}$
110	$4 \frac{3}{8}$	400	$15 \frac{3}{4}$	690	$27 \frac{1}{8}$	1150	$45 \frac{1}{4}$
115	$4 \frac{1}{2}$	405	16	695	$27 \frac{3}{8}$	1195	47
120	$4 \frac{3}{4}$	410	$16 \frac{1}{8}$	700	$27 \frac{1}{2}$	1200	$47 \frac{1}{4}$
125	$4 \frac{7}{8}$	415	$16 \frac{3}{8}$	705	$27 \frac{3}{4}$	1220	48
130	$5 \frac{1}{8}$	420	$16 \frac{1}{2}$	710	28	1225	$48 \frac{1}{4}$
135	$5 \frac{3}{8}$	425	$16 \frac{3}{4}$	715	$28 \frac{1}{8}$	1240	$48 \frac{7}{8}$
140	$5 \frac{1}{2}$	430	$16 \frac{7}{8}$	720	$28 \frac{3}{8}$	1300	$51 \frac{1}{8}$
145	$5 \frac{3}{4}$	435	$17 \frac{1}{8}$	725	$28 \frac{1}{2}$	1320	52
150	$5 \frac{7}{8}$	440	$17 \frac{3}{8}$	730	$28 \frac{3}{4}$	1400	$55 \frac{1}{8}$
155	$6 \frac{1}{8}$	445	$17 \frac{1}{2}$	735	$28 \frac{7}{8}$	1415	$55 \frac{1}{4}$
160	$6 \frac{1}{4}$	450	$17 \frac{3}{4}$	740	$29 \frac{1}{8}$	1515	$59 \frac{5}{8}$
165	$6 \frac{1}{2}$	455	$17 \frac{7}{8}$	745	$28 \frac{3}{8}$	1600	63
170	$6 \frac{3}{4}$	460	$18 \frac{1}{8}$	750	$29 \frac{1}{2}$	2000	$78 \frac{3}{4}$
175	$6 \frac{7}{8}$	465	$18 \frac{1}{4}$	755	$29 \frac{3}{4}$	2015	$79 \frac{3}{8}$
180	$7 \frac{1}{8}$	470	$18 \frac{1}{2}$	760	$29 \frac{7}{8}$	2500	$98 \frac{1}{2}$
185	$7 \frac{1}{4}$	475	$18 \frac{3}{4}$	765	$30 \frac{1}{8}$		
190	$7 \frac{1}{2}$	480	$18 \frac{7}{8}$	770	$30 \frac{3}{8}$		
195	$7 \frac{5}{8}$	485	$19 \frac{1}{8}$	775	$30 \frac{1}{2}$		
200	$7 \frac{7}{8}$	490	$19 \frac{1}{4}$	780	$30 \frac{3}{4}$		
205	$8 \frac{1}{8}$	495	$19 \frac{1}{2}$	785	$30 \frac{7}{8}$		
210	$8 \frac{1}{4}$	500	$19 \frac{5}{8}$	790	$31 \frac{1}{8}$		
215	$8 \frac{1}{2}$	505	$19 \frac{7}{8}$	795	$31 \frac{1}{4}$		
220	$8 \frac{5}{8}$	510	$20 \frac{1}{8}$	800	$31 \frac{1}{2}$		
225	$8 \frac{7}{8}$	515	$20 \frac{1}{4}$	805	$31 \frac{3}{4}$		
230	9	520	$20 \frac{1}{2}$	810	$31 \frac{7}{8}$		
235	$9 \frac{1}{4}$	525	$20 \frac{5}{8}$	815	$32 \frac{1}{8}$		
240	$9 \frac{1}{2}$	530	$20 \frac{7}{8}$	820	$32 \frac{1}{4}$		
245	$9 \frac{5}{8}$	535	21	825	$32 \frac{1}{2}$		
250	$9 \frac{7}{8}$	540	$21 \frac{1}{4}$	835	$32 \frac{7}{8}$		
255	10	545	$21 \frac{1}{2}$	840	$33 \frac{1}{8}$		
260	$10 \frac{1}{4}$	550	$21 \frac{5}{8}$	845	$33 \frac{1}{4}$		
265	$10 \frac{3}{8}$	555	$21 \frac{7}{8}$	850	$33 \frac{1}{2}$		
270	$10 \frac{5}{8}$	560	22	855	$33 \frac{5}{8}$		
275	$10 \frac{7}{8}$	565	$22 \frac{1}{4}$	860	$33 \frac{7}{8}$		
280	11	570	$22 \frac{1}{2}$	865	34		
285	$11 \frac{1}{4}$	575	$22 \frac{5}{8}$	870	$34 \frac{1}{4}$		
290	$11 \frac{3}{8}$	580	$22 \frac{7}{8}$	875	$34 \frac{1}{2}$		



INTERNATIONAL STANDARDS

EU STANDARDS

	Serie	Description	Model-No.	KIWA	IAPMO	QAS	CSA	Singapore
International Standards P = Pending ● = Listed	■ 1930	Cistern	087220..03			●		
		Cistern, US version	087223..01		●			
		Toilet, floor st., vertical outlet	022701..00			●		●
		Toilet, floor st., horiz. outlet	022709..00			●		
		Toilet, US version	015101..00					
		Toilet, wall-mounted	018209..00					●
	■ Architec	Toilet, wall-mounted	019009..00	●		●		
		Washbasin	044958..00					
	■ Bacino	Washbowl	032542..00				●	
	■ Caro	Cistern	087250..01					●
		Toilet floor-st., Vario outlet	022509..00					●
		Toilet, wall-mounted	015609..00					
	■ Darling	Cistern	872600..01	●		●		
		Cistern, Singapore standard	872620..01					●
		Toilet, floor-st., vertical outlet	023201..00	●		●		●
		Toilet, floor-st., horiz. outlet	023209..00	●		●		●
		Toilet, wall-mounted	020709..00			●		
	■ Dellarco	Cistern	087301..01					●
		Cistern, Singapore standard	087321..00					●
		Toilet, floor-st., horiz. outlet	015009..00			●		
		Toilet, floor-st., vertical outlet	021801..00					●
		Toilet, floor-st., horiz. outlet	021809..00					●
	■ Duraplus	Cistern	087920..01	●		●		
		Cistern	088630..01			●		
		Cistern NL standard	087922..02	●				
		Cistern, Singapore standard	087924..01					●
		Toilet, wall-mounted	022809..00			●		
		Toilet, floor-st., vertical outlet	022901..00	●		●		●
		Toilet, floor-st., horiz. outlet	022909..00	●		●		
		Toilet, floor-st., Vario outlet	022409..00			●		
		Toilet, floor-st., Vario, washout	024609..00			●		
		Toilet, wall-mounted	019209..00			●		
		Toilet, wall-mounted	254709..00					●
	■ Foster	Cistern	091200..00			●		
		Toilet, wall-mounted, washout	017509..00			●	●	P
		Toilet, floor-st., vertical outlet	017609..00			●		P
	■ Giamo	Cistern	088200..01					●
		Toilet, floor-st., Vario outlet	024209..00					●
		Toilet, wall-mounted	019109..00					●
	■ Giorno	Cistern	0911000001			P		P
		Toilet, wall-mounted, washout	017309..00			●		●
		Toilet, floor-st., Vario outlet	024709..00			P		P
	■ Happy D.	Cistern	091000..01				●	
		Toilet, floor-st., horiz. outlet	017009..00			P	●	
		Toilet, wall-mounted	017109..00			●		●
		Toilet, floor-st., Vario outlet	017009..00				●	
	■ Katya	Toilet, wall-mounted	018409..00	●				●
■ Metro	Toilet, one piece US version	015701..01			●		●	
■ Starck 2	Cistern, British standard	872900..01				●		
	Toilet, floor-st., Vario outlet	023809..00				●		
	Toilet, wall-mounted	016009..00			●		●	
	Toilet, one piece US version	016301..01			●		●	
■ Starck 3	Cistern, British standard	092000..01	P			P		
	Toilet, floor-st., horiz. outlet	012409..00				P		
	Toilet, cl.-coup., Vario outlet	012809..00				P		
	Toilet, wall-mount., washdown	220009..00	P	P		P	P	
	Toilet, wall-mount., compact	220209..00	P			P		
	Toilet, cl.-coup., vertical outlet	012601..00	P			P		
	Toilet, cl.-coup., horiz. outlet	012609..00	P			P		
	Vanity basin	030549..00			●			
■ Tribeca	Toilet, one piece US version	015901..01			●		●	
■ Urinals	Urinal, waterless	084436..00			●	P		
	Urinal, electronic	083035..00			P	P		
■ Vero	Washbasin	045460..00			●		●	
EU Standards	Item		Dimension	Function				
	Washbasin		EN 31					
	Washbasin		EN 32					
	Handrinse basin		EN 111					
	Wall mounted toilet, close-coupled, with cistern		EN 34	EN 997				
	Wall mounted toilet for concealed cistern		EN 38	EN 997				
	Floor-standing toilet, close-coupled, with cistern		EN 33	EN 997				
	Floor-standing toilet for independent water supply		EN 37	EN 997				
	Urinal		EN 80	DIN 1390				
	Floor-standing bidet		EN 35					
Wall-mounted bidet		EN 36						



Design: Dieter Sieger



GB Washbasin

F Lavabo

NL Wastafel

I Lavabo

E Lavabo # 04176000../04176500../04177500..

23 ⁵/₈ / 25 ⁵/₈ / 29 ¹/₂ inches
 ↳ 600/650/750 mm ↳

Technical Data	
#	04176000../04176500../04177500..
Tap holes	→ Page 1-5 0417600000/0417650000/0417750000: ○ ● ○ 0417600030/0417650030/0417750030: ● ● ●
mm	600 x 480/650 x 520/750 x 525
kg	18,0/20,3/21,5
Accessories	Pedestal · Colonne · Zuil · Colonna · Pedestal, # 0863860000 Siphon cover · Cache-siphon · Sifonkap · Semicolonna · Semipedestal, # 0863850000
Installation	2 bolts · goujons · schroeven · bulloni · tornillos, 10 x 140 mm
Colour	00

mm	A	B	C	D	E	F
600	600	480	205	585	535	65
650	650	520	205	590	540	65
750	750	525	195	600	550	70

Technical Drawing Scale 1 : 20

0417750000

X To determine height please set washbasin on pedestal.

HAPPY D. SERIES

Design: Dieter Sieger



- GB** Metal console, chrome
- F** Structure Métallique, chromé
- NL** Metalenstructuur, chroom
- I** Piedi metallici, cromato
- E** Consola metálica cromada # 0030611000/0030601000

Technical Data	
#	0030611000/0030601000
	height adjustable · réglable en hauteur · in hoogte verstelbaar · regolabile in altezza · ajustable en altura
	for washbasin · pour lavabo · voor wastafel · per lavabo · para lavabo, # 04176500.. → 0030611000, # 04177500.. → 0030601000,
kg	2,3/2,3
Colour	Chrome · Chromé · Chroom · Cromato · Cromado

Technical Drawing		Scale 1 : 20
<p># 0417650000; ▲ in combination with siphon # 0050361000 = 480 mm, without = 540 mm ‡ dependent on vanity unit</p>	<p># 0417750000; ▲ in combination with siphon # 0050361000 = 480 mm, without = 550 mm ‡ dependent on vanity unit</p>	

Design: Dieter Steger



- GB** Washbasin
F Lavabo
NL Wastafel
I Lavabo
E Lavabo # 0418650000

25 ⁵/₈ inches
 ← 650 mm →

Technical Data	
#	0418650000
	Without tap platform · Sans plage · Zonder kraanwerkplaat · Senza rialzo per rubinetto · Sin plataforma para grifería
mm	650 x 445
kg	19,0
Accessories	Metal console, chrome · Structure métallique, chromé · Metalen structuur, chroom · Piedi metallici, cromato · Console de cromo, # 0030621000 Siphon chrome · Siphon chromé · Sifon chrom · Sifone cromato · Sifon cromado, # 0050361000 Pop-up basin waste, horizontal lever, in combination with usage of wall-mounted taps · Vidage à clapet commande horizontale, obligatoire avec une robinetterie murale ·

Technical Data	
Accessories	Kniehevelventiel, horizontal, in verbinding met wandmengkraan · Valvola a ginocchio, orizzontale, necessaria per l'utilizzo con rubinetteria a parete · Válvula de desagüe, horizontal, imprescindible con grifería de pared, # 0050311000 Siphon cover · Cache-siphon · Sifonkap · Semicolonna · Semipedestal, # 0863870000
Installation	WD 10
Info	Fixing distance · Fixation écart · Bevestiging afstand · Fissaggio distanza · Distancia fijaciones : 540 mm
Colour	00

Technical Drawing		Scale 1 : 20
▶ in combination with siphon # 0050361000 = 480 mm ‡ dependent on vanity unit		

Design: Dieter Sieger


 GB Handrinse basin

 F Lave-mains

 NL Handwasbak

 I Lavamani

 E Lavamanos # 0418500000

19 5/8 inches

500 mm

Technical Data	
#	0418500000
Tap holes	→ Page 1-5 ●
mm	500 x 250
kg	8,3
Accessories	Siphon cover · Cache-siphon · Sifonkap · Semicolonna · Semipedestal, # 0863880000 Special fixings · Fixations rapides · Snelbevestiging · Fissaggio rapido · Muelles fijadores, # 0055040000 Slotted waste · Bonde · Afvoerventiel · Piletta · Tapón de desagüe, # 0050241000

Technical Data	
Installation	2 bolts · goujons · schroeven · bulloni · tornillos, 10 x 140 mm
Colour	00

Technical Drawing		Scale 1 : 20

Design: Dieter Sieger



GB Handrinse basin

F Lave-mains

NL Handwasbak

I Lavamani

E Lavamanos # 0417460000

18 1/8 inches

← 460 mm →

Technical Data	
#	0417460000
Tap holes	→ Page 1-5 ●
mm	460 x 345
kg	10,5
Accessories	Siphon cover · Cache-siphon · Sifonkap · Semicolonna · Semipedestal, # 0863870000 Special fixings · Fixations rapides · Snelbevestiging · Fissaggio rapido · Muelles fijadores, # 0055030000

Technical Data	
Installation	2 bolts · goujons · schroeven · bulloni · tornillos, 10 x 140 mm
Colour	00

Technical Drawing		Scale 1 : 20

HAPPY D. SERIES

Design: Dieter Steger



GB Pedestal
 F Colonne
 NL Zuil
 I Colonna
 E Pedestal # 0863860000

Siphon cover
 Cache-siphon
 Sifonkap
 Semicolonna # 0863850000 / 0863870000 /
 Semipedestal 0863880000

Technical Data	
#	0863860000
	for washbasin · pour lavabo · voor wastafel · per lavabo · para lavabo, # 0417600000/0417650000/0417750000
kg	11,6
Colour	00

Technical Data	
#	0863850000/0863870000/0863880000
	→ # 0863850000 for washbasin · pour lavabo · voor wastafel · per lavabo · para lavabo, # 0417600000/0417650000/0417750000 → # 0863870000 for washbasin · pour lavabo · voor wastafel · per lavabo · para lavabo, # 0418650000, for handrinse basin · pour lave-mains · voor handwasbak · per lavamani · para lavamanos, # 0417460000 → # 0863880000 for handrinse basin · pour lave-mains · voor handwasbak · per lavamani · para lavamanos, # 0418500000
kg	6,0/4,7/3,2
Installation	# 0055030000
Installation # 041865 + 041850	# 0055040000
Colour	00



GB Washbasin

F Lavabo

NL Wastafel

I Lavabo

E Lavabo Happy D. # 0458600028

26 ⁵/₈ inches

← 600 mm →

Technical Data	
#	0458600028
Without tap platform, with overflow · Sans plage, avec trop-plein · Zonder kraanwerkplateau, met overloop · Senza rialzo per rubinetto, con troppopieno · Sin plataforma, con rebosadero	
mm	600 x 400
kg	15,4
Accessories	Pop-up basin waste with horizontal lever Vidage à clapet commande horizontale · Kniehevelventiel, aan te brengen horizontaal · Valvola a ginocchio, orizzontale Válvula de desagüe, accionamiento horizontal, Chrome · Chromé · Chroom · Cromato · Cromado, # 0050311000

Technical Data	
Accessories	Vanity unit · Meuble sous-lavabo · Wastafelonderbouwkast · Base per lavabo · Mueble para lavabo, # 6085 Siphon chrome · Siphon chromé · Sifon chrom Sifone cromato · Sifon cromado, # 0050361000
Installation	inclusive · inclus · inclusief · incluso · incluida
Colours	00

Technical Drawing		Scale 1 : 20
<p>▲ in combination with siphon, >> dependent on outlet</p>		

Design: Dieter Sieger



GB Wall-mounted bidet

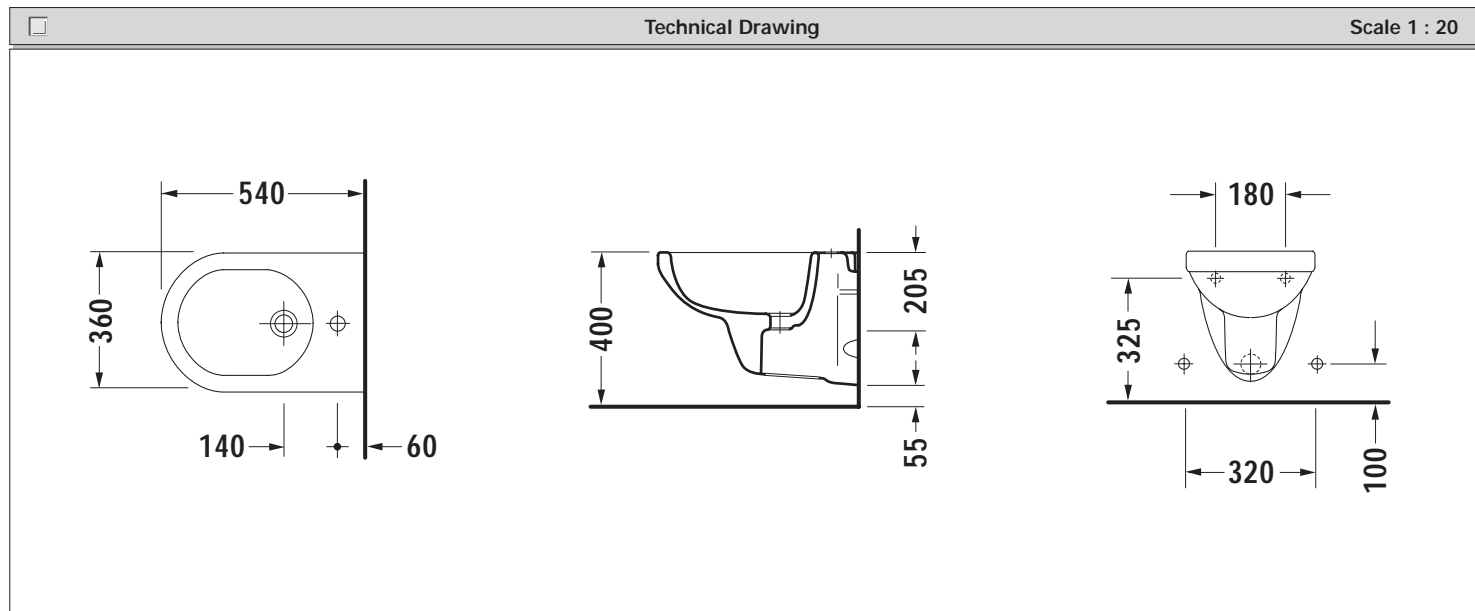
F Bidet suspendu

NL Wandbidet

I Bidet sospeso

E Bidé suspendido # 0256150000

Technical Data	
#	0256150000
Tap holes	→ Page 1-5 ●
kg	17,2
Installation	# 0065001000
Colour	00



DURAVIT

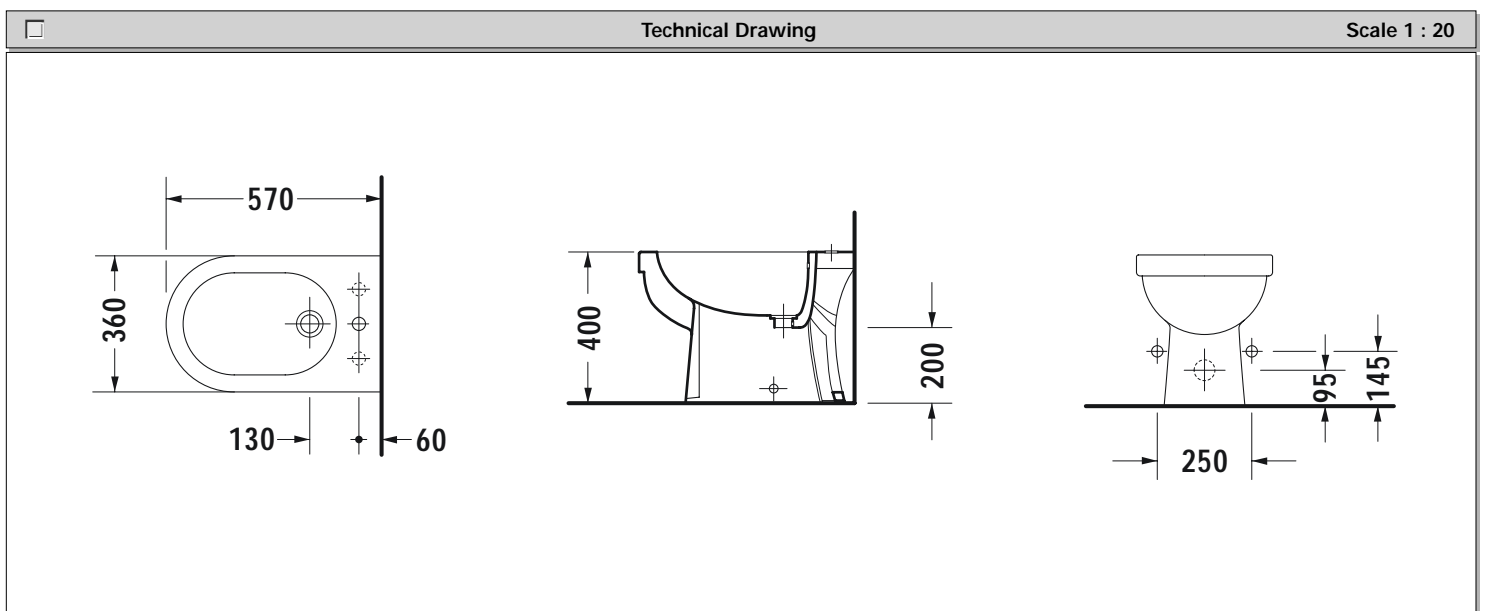
HAPPY D. SERIES

Design: Dieter Steger



- GB Floor standing bidet
- F Bidet sur pied
- NL Staand bidet
- I Bidet a pavimento
- E Bidé de pie # 0257100000

Technical Data	
#	0257100000
Tap holes	→ Page 1-5 ○ ● ○
kg	20,5
Installation	inclusive · inclus · inclusief · incluso · incluida
Colour	00



Design: Dieter Sieger

US Version
IAPMO listed

- GB** Wall-mounted toilet
F Cuvette suspendue
NL Wand-WC
I Vaso sospeso
E Inodoro suspendido # 0171090000

Technical Data	
#	0171090000
◆ Washdown toilet · Cuvette à fond creux · Diepspoel-WC · Vaso a cacciata · Inodoro de lavado inferior	
kg	18,2
Accessories	Toilet seat and cover · Abattant · WC-zitting · Sedile · Asiento y tapa, # 0066910000 Noise reduction gasket · Set de protection acoustique · Geluiddemping-set · Set insonorizzante per tutti i vasi sospesi · Junta para reducción de ruido, # 0050200000

Technical Data	
Installation	# 006500**00
Installation kit	# 001432**00
Info	** 00 – White · Blanc · Wit · Bianco · Blanco, ** 10 – Chrome · Chromé · Chroom · Cromato · Cromado
Colours	00

Technical Drawing		Scale 1 : 20

HAPPY D. SERIES

Design: Dieter Steger



- GB** Floor standing toilet
- F** Cuvette sur pied
- NL** Staand WC
- I** Vaso a pavimento
- E** Inodoro # 0174090000

Technical Data	
#	0174090000
	<ul style="list-style-type: none"> ◆ Washdown toilet, for independent water supply · Cuvette à fond creux · Diepspoel-WC · Vaso a cacciata, per entrata dell'acqua libera · Inodoro de lavado inferior Horizontal outlet · Sortie horizontale · Horizontale afvoer · Scarico a parete · Desagüe horizontal
kg	21,0
Accessories	Toilet seat and cover · Abattant · WC-zitting · Sedile · Asiento y tapa, # 0066910000
Installation	inclusive · inclus · inclusief · incluso · incluida
Colours	00

	A	Z
Flushometer · Robinet de chasse d'eau · Drukspoelsysteem · Pulsante di risciacquo · Fluxometro	195	150
Concealed cistern · Réservoir caché · Reservoir verborgen · Cassetta nascosta · Cisterna oculta	145	100
Cistern · Réservoir · Reservoir · Cassetta di sciacquo esterna · Cisterna	265	220

Technical Drawing		Scale 1 : 20

Design: Dieter Steger



- GB** Floor standing toilet
F Cuvette sur pied
NL Staand WC
I Vaso a pavimento
E Inodoro # 0170090000

Technical Data	
#	0170090000
	Washdown toilet · Cuvette à fond creux · Diepspoel-WC · Vaso a cacciata · Inodoro de lavado inferior Horizontal outlet · Sortie horizontale · Horizontale afvoer · Scarico a parete · Desagüe horizontal
kg	24,2
Accessories	Cistern · Réservoir · Reservoir · Cassetta · Cisterna, # 0910000001/0910100001 Toilet seat and cover · Abattant · WC-zitting · Sedile · Asiento y tapa, # 0066910000
Installation	inclusive · inclus · inclusief · incluso · incluida

Technical Data	
Info	Vario outlet set · Set de raccordement universel Vario · Vario-set voor universele aansluiting · Completo di allacciamento Vario · Surtido de conexión Vario, # 0014220000 Special connector for vertical outlet · Afvoer buis speciaal voor verticale aansluiting · Tubo d'uscita speciale per allacciamento verticale · Tubo de desagüe especial para salida vertical, # 8990250006 With universal outlet horizontal/vertical · Avec sortie universelle horizontale/verticale · Met universele afvoer voor horizontale/verticale aansluiting · Con scarico universale per allacciamento orizzontale/verticale · Con surtido universal horizontal/vertical
Colours	00

Technical Drawing		Scale 1 : 20
	# 0014220000	# 0014220000
	# 0014220000	# 8990250006

Design: Dieter Steger



- GB** Floor standing toilet
F Cuvette sur pied
NL Staand WC
I Vaso a pavimento
E Inodoro # 0172090000

Technical Data	
#	0172090000
	♣ Washdown toilet · Cuvette à fond creux · Diepspoel-WC · Vaso a cacciata · Inodoro de lavado inferior Horizontal outlet · Sortie horizontale · Horizontale afvoer · Scarico a parete · Desagüe horizontal
kg	21,0
Accessories	Cistern · Réservoir · Reservoir · Cassetta · Cisterna, # 0910000001/0910100001 Toilet seat and cover · Abattant · WC-zitting · Sedile · Asiento y tapa, # 0066910000
Installation	inclusive · inclus · inclusief · incluso · incluida
Colours	00

Technical Drawing		Scale 1 : 20

HAPPY D. SERIES

Design: Dieter Steger



- GB** Cistern
 F Réservoir
 NL Reservoir
 I Cassetta
 E Cisterna # 0910000001 / 0910100001

Technical Data	
#	0910000001 / 0910100001
◆	Back or side supply · Alimentation latérale ou arrière · Voor aansluiting links/rechts en achter · Per attacco sinistro, destro o centrale · Suministro de agua en la parte posterior o lateral, # 0910000001
◆	Bottom supply · Alimentation par dessous · Voor aansluiting onderaan links · Per attacco sinistro basso · Suministro de agua en la parte inferior, # 0910100001
	With mechanism chrome with Dual-flush technology for 3/6 litre-flush · Avec mécanisme chromé, Dual-flush pour rinçage 3/6 litres · Met chroom mechanisme voorzien van een 3/6 liter drukknop · Con batteria cromata con tecnologia "Dual Flush" per sciacquo 3/6 litri · Con mecanismo cromado para 3/6 litros

Technical Data	
kg	12,8/12,8
Accessories	Conversion set for back supply · Set de transformation · Aanpassingsset van achteraansluiting naar zijdelingse te veranderen · Set per allacciamento successivo per attacco centrale · Surtido para conversión centrada, 0074981000
Colours	00

Technical Drawing		Scale 1 : 20
<p># 0170090000</p>	<p># 0172090000</p>	

HAPPY D. SERIES

Design: Dieter Steger



- GB Cistern
- F Réservoir
- NL Reservoir
- I Cassetta
- E Cisterna # 0910200001

Technical Data	
#	0910200001
	♦ → Cistern British standard, bottom supply, With mechanism chrome
kg	12,8
Colours	00

Technical Drawing		Scale 1 : 20
<p># 0170090000</p>	<p># 0172090000</p>	



Design: Dieter Steger



GB Toilet seat and cover

F Abattant

NL WC-zitting

I Sedile

E Asiento y tapa # 0066910000

Technical Data	
#	0066910000
kg	3,0
Info	Hinges stainless steel · Charnières inox · Scharnieren edelstaal · Cerniere acciaio inox · Bisagras inoxidable
Colour	00