

Darling Series



- ▶ Plenty of design for a reasonable amount of money.
- ▶ All current washbasin sizes, five different furniture washbasins from 60 to 202 cm are available. The latter ones can be cut – even diagonally – for use in combination with furniture, installation in niches, etc.
- ▶ Darling comes in a lot of attractive sanitary colours, which, along with the various furniture finishes, allow infinite personalized combinations.
- ▶ Easy to plan, smart bathroom furniture system along the modular-design principle (→ see Badmagazin)
- ▶ Designed by: Dieter Sieger

Colour group	A			B			C
Colour / ref. of colour	White – 00	Manhattan – 11	Amber – 41	Pergamon – 47	Greenwich – 52	Key West – 56	Edelweiss – 78
available	●	●		●	●	●	

MM > INCHES

mm > inches							
5	$\frac{1}{8}$	295	$11 \frac{5}{8}$	585	23	880	$34 \frac{5}{8}$
10	$\frac{3}{8}$	300	$11 \frac{3}{46}$	590	$23 \frac{1}{4}$	885	$34 \frac{7}{8}$
15	$\frac{5}{8}$	305	12	595	$23 \frac{3}{8}$	890	35
20	$\frac{3}{4}$	310	$12 \frac{1}{4}$	600	$23 \frac{5}{8}$	895	$35 \frac{1}{4}$
25	1	315	$12 \frac{3}{8}$	605	$23 \frac{3}{4}$	900	$35 \frac{1}{2}$
30	$1 \frac{1}{8}$	320	$12 \frac{5}{8}$	610	24	915	36
35	$1 \frac{3}{8}$	325	$12 \frac{3}{4}$	615	$24 \frac{1}{4}$	920	$36 \frac{1}{4}$
40	$1 \frac{5}{8}$	330	13	620	$24 \frac{1}{2}$	925	$36 \frac{3}{8}$
45	$1 \frac{3}{4}$	335	$13 \frac{1}{4}$	625	$24 \frac{5}{8}$	935	$36 \frac{3}{4}$
50	2	340	$13 \frac{3}{8}$	630	$24 \frac{3}{4}$	940	37
55	$2 \frac{1}{8}$	345	$13 \frac{5}{8}$	635	25	980	$38 \frac{5}{8}$
60	$2 \frac{3}{8}$	350	$13 \frac{3}{4}$	640	$25 \frac{1}{4}$	995	$39 \frac{1}{8}$
65	$2 \frac{1}{2}$	355	14	645	$25 \frac{3}{8}$	1000	$39 \frac{3}{8}$
70	$2 \frac{3}{4}$	360	$14 \frac{1}{8}$	650	$25 \frac{5}{8}$	1015	40
75	3	365	$14 \frac{3}{8}$	655	$25 \frac{3}{4}$	1020	$40 \frac{1}{8}$
80	$3 \frac{1}{8}$	370	$14 \frac{1}{2}$	660	26	1030	$40 \frac{1}{2}$
85	$3 \frac{3}{8}$	375	$14 \frac{3}{4}$	665	$26 \frac{1}{4}$	1035	$40 \frac{3}{4}$
90	$3 \frac{1}{2}$	380	15	670	$26 \frac{3}{8}$	1045	$41 \frac{1}{8}$
95	$3 \frac{3}{4}$	385	$15 \frac{1}{8}$	675	$26 \frac{5}{8}$	1050	$41 \frac{3}{8}$
100	4	390	$15 \frac{3}{8}$	680	$26 \frac{3}{4}$	1070	$42 \frac{1}{8}$
105	$4 \frac{1}{8}$	395	$15 \frac{1}{2}$	685	27	1100	$43 \frac{1}{4}$
110	$4 \frac{3}{8}$	400	$15 \frac{3}{4}$	690	$27 \frac{1}{8}$	1150	$45 \frac{1}{4}$
115	$4 \frac{1}{2}$	405	16	695	$27 \frac{3}{8}$	1195	47
120	$4 \frac{3}{4}$	410	$16 \frac{1}{8}$	700	$27 \frac{1}{2}$	1200	$47 \frac{1}{4}$
125	$4 \frac{7}{8}$	415	$16 \frac{3}{8}$	705	$27 \frac{3}{4}$	1220	48
130	$5 \frac{1}{8}$	420	$16 \frac{1}{2}$	710	28	1225	$48 \frac{1}{4}$
135	$5 \frac{3}{8}$	425	$16 \frac{3}{4}$	715	$28 \frac{1}{8}$	1240	$48 \frac{7}{8}$
140	$5 \frac{1}{2}$	430	$16 \frac{7}{8}$	720	$28 \frac{3}{8}$	1300	$51 \frac{1}{8}$
145	$5 \frac{3}{4}$	435	$17 \frac{1}{8}$	725	$28 \frac{1}{2}$	1320	52
150	$5 \frac{7}{8}$	440	$17 \frac{3}{8}$	730	$28 \frac{3}{4}$	1400	$55 \frac{1}{8}$
155	$6 \frac{1}{8}$	445	$17 \frac{1}{2}$	735	$28 \frac{7}{8}$	1415	$55 \frac{1}{4}$
160	$6 \frac{1}{4}$	450	$17 \frac{3}{4}$	740	$29 \frac{1}{8}$	1515	$59 \frac{5}{8}$
165	$6 \frac{1}{2}$	455	$17 \frac{7}{8}$	745	$28 \frac{3}{8}$	1600	63
170	$6 \frac{3}{4}$	460	$18 \frac{1}{8}$	750	$29 \frac{1}{2}$	2000	$78 \frac{3}{4}$
175	$6 \frac{7}{8}$	465	$18 \frac{1}{4}$	755	$29 \frac{3}{4}$	2015	$79 \frac{3}{8}$
180	$7 \frac{1}{8}$	470	$18 \frac{1}{2}$	760	$29 \frac{7}{8}$	2500	$98 \frac{1}{2}$
185	$7 \frac{1}{4}$	475	$18 \frac{3}{4}$	765	$30 \frac{1}{8}$		
190	$7 \frac{1}{2}$	480	$18 \frac{7}{8}$	770	$30 \frac{3}{8}$		
195	$7 \frac{5}{8}$	485	$19 \frac{1}{8}$	775	$30 \frac{1}{2}$		
200	$7 \frac{7}{8}$	490	$19 \frac{1}{4}$	780	$30 \frac{3}{4}$		
205	$8 \frac{1}{8}$	495	$19 \frac{1}{2}$	785	$30 \frac{7}{8}$		
210	$8 \frac{1}{4}$	500	$19 \frac{5}{8}$	790	$31 \frac{1}{8}$		
215	$8 \frac{1}{2}$	505	$19 \frac{7}{8}$	795	$31 \frac{1}{4}$		
220	$8 \frac{5}{8}$	510	$20 \frac{1}{8}$	800	$31 \frac{1}{2}$		
225	$8 \frac{7}{8}$	515	$20 \frac{1}{4}$	805	$31 \frac{3}{4}$		
230	9	520	$20 \frac{1}{2}$	810	$31 \frac{7}{8}$		
235	$9 \frac{1}{4}$	525	$20 \frac{5}{8}$	815	$32 \frac{1}{8}$		
240	$9 \frac{1}{2}$	530	$20 \frac{7}{8}$	820	$32 \frac{1}{4}$		
245	$9 \frac{5}{8}$	535	21	825	$32 \frac{1}{2}$		
250	$9 \frac{7}{8}$	540	$21 \frac{1}{4}$	835	$32 \frac{7}{8}$		
255	10	545	$21 \frac{1}{2}$	840	$33 \frac{1}{8}$		
260	$10 \frac{1}{4}$	550	$21 \frac{5}{8}$	845	$33 \frac{1}{4}$		
265	$10 \frac{3}{8}$	555	$21 \frac{7}{8}$	850	$33 \frac{1}{2}$		
270	$10 \frac{5}{8}$	560	22	855	$33 \frac{5}{8}$		
275	$10 \frac{7}{8}$	565	$22 \frac{1}{4}$	860	$33 \frac{7}{8}$		
280	11	570	$22 \frac{1}{2}$	865	34		
285	$11 \frac{1}{4}$	575	$22 \frac{5}{8}$	870	$34 \frac{1}{4}$		
290	$11 \frac{3}{8}$	580	$22 \frac{7}{8}$	875	$34 \frac{1}{2}$		



INTERNATIONAL STANDARDS

EU STANDARDS

	Serie	Description	Model-No.	KIWA	IAPMO	QAS	CSA	Singapore	
International Standards P = Pending ● = Listed	■ 1930	Cistern	087220.03			●			
		Cistern, US version	087223.01		●				
		Toilet, floor st., vertical outlet	022701.00				●		●
	■ Architec	Toilet, floor st., horiz. outlet	022709.00				●		
		Toilet, US version	015101.00			●			
	■ Architec	Toilet, wall-mounted	018209.00						●
		Toilet, wall-mounted	019009.00	●			●		
	■ Bacino	Washbasin	044958.00						
		Washbowl	032542.00			●		●	
	■ Caro	Cistern	087250.01						●
		Toilet floor-st., Vario outlet	022509.00						●
	■ Darling	Toilet, wall-mounted	015609.00			●			
		Cistern	872600.01	●			●		
		Cistern, Singapore standard	872620.01						●
		Toilet, floor-st., vertical outlet	023201.00	●			●		●
	■ Dellarco	Toilet, floor-st., horiz. outlet	023209.00	●			●		●
		Toilet, wall-mounted	020709.00		●		●	●	
		Cistern	087301.01						●
		Cistern, Singapore standard	087321.00						●
	■ Duraplus	Toilet, floor-st., horiz. outlet	015009.00				●		
		Toilet, floor-st., vertical outlet	021801.00						●
		Toilet, floor-st., horiz. outlet	021809.00						●
		Cistern	087920.01	●			●		
		Cistern	088630.01				●		
		Cistern NL standard	087922.02	●					
		Cistern, Singapore standard	087924.01						●
		Toilet, wall-mounted	022809.00				●		
		Toilet, floor-st., vertical outlet	022901.00	●			●		●
		Toilet, floor-st., horiz. outlet	022909.00	●			●		
	■ Foster	Toilet, floor-st., Vario outlet	022409.00				●		
		Toilet, floor-st., Vario, washout	024609.00				●		
		Toilet, wall-mounted	019209.00				●		
		Toilet, wall-mounted	254709.00						●
	■ Giamo	Cistern	091200.00				●		
		Toilet, wall-mounted, washout	017509.00		●		●	●	P
		Toilet, floor-st., vertical outlet	017609.00				●		P
	■ Giorno	Cistern	088200.01						●
		Toilet, floor-st., Vario outlet	024209.00						●
		Toilet, wall-mounted	019109.00						●
	■ Happy D.	Cistern	091100001			P			P
		Toilet, wall-mounted, washout	017309.00		●			●	
		Toilet, floor-st., Vario outlet	024709.00			P		P	
		Cistern	091000.01				●		
	■ Katya	Toilet, floor-st., horiz. outlet	017009.00			P	●		
		Toilet, wall-mounted	017109.00			●		●	
Toilet, floor-st., Vario outlet		017009.00				●			
■ Metro	Toilet, wall-mounted	018409.00	●					●	
	Toilet, one piece US version	015701.01		●			●		
■ Starck 2	Cistern, British standard	872900.01				●			
	Toilet, floor-st., Vario outlet	023809.00				●			
	Toilet, wall-mounted	016009.00			●		●		
	Toilet, one piece US version	016301.01			●		●		
■ Starck 3	Cistern, British standard	092000.01	P			P			
	Toilet, floor-st., horiz. outlet	012409.00				P			
	Toilet, cl.-coup., Vario outlet	012809.00				P			
	Toilet, wall-mount., washdown	220009.00	P	P		P	P		
	Toilet, wall-mount., compact	220209.00	P			P			
	Toilet, cl.-coup., vertical outlet	012601.00	P			P			
	Toilet, cl.-coup., horiz. outlet	012609.00	P			P			
■ Tribeca	Vanity basin	030549.00							
	Toilet, one piece US version	015901.01		●			●		
■ Urinals	Urinal, waterless	084436.00		●		P			
	Urinal, electronic	083035.00		P		P			
■ Vero	Washbasin	045460.00		●			●		
EU Standards	Item		Dimension	Function					
	Washbasin		EN 31						
	Washbasin		EN 32						
	Handrinse basin		EN 111						
	Wall mounted toilet, close-coupled, with cistern		EN 34	EN 997					
	Wall mounted toilet for concealed cistern		EN 38	EN 997					
	Floor-standing toilet, close-coupled, with cistern		EN 33	EN 997					
	Floor-standing toilet for independent water supply		EN 37	EN 997					
	Urinal		EN 80	DIN 1390					
	Floor-standing bidet		EN 35						
	Wall-mounted bidet		EN 36						

DARLING SERIES



Design: Dieter Sieger



GB Washbasin

F Lavabo

NL Wastafel

I Lavabo

E Lavabo # 040055..00/040060..00/040065..00/040070..00

21 5/8 / 23 5/8 / 25 5/8 / 27 1/2 inches

← 550/600/650/700 mm →

Technical Data	
#	040055..00/040060..00/040065..00/040070..00
Tap holes	→ Page 1-5 ○ ● ○
mm	550 x 480/600 x 520/650 x 545/700 x 570
kg	14,5/18,4/19,5/22,8
Accessories	Siphon cover · Cache-siphon · Sifonkap · Semicolonna · Semipedestal, # 086345..00 Pedestal · Colonne · Zuil · Colonna · Pedestal, # 086340..00
Installation	2 bolts · goujons · schroeven · bulloni · tornillos, 10 x 140 mm
Info	Shelf · Tablette · Tablet · Mensola · Repisa
Colour	00, 11, 47, 52, 56

mm	A	B	C	D	E	F	G
550	550	480	205	225	60	585	535
600	600	520	210	225	65	585	535
650	650	545	210	225	60	580	530
700	700	570	220	225	60	580	530

Technical Drawing Scale 1 : 20

040060..00

X To determine height please set washbasin on pedestal.

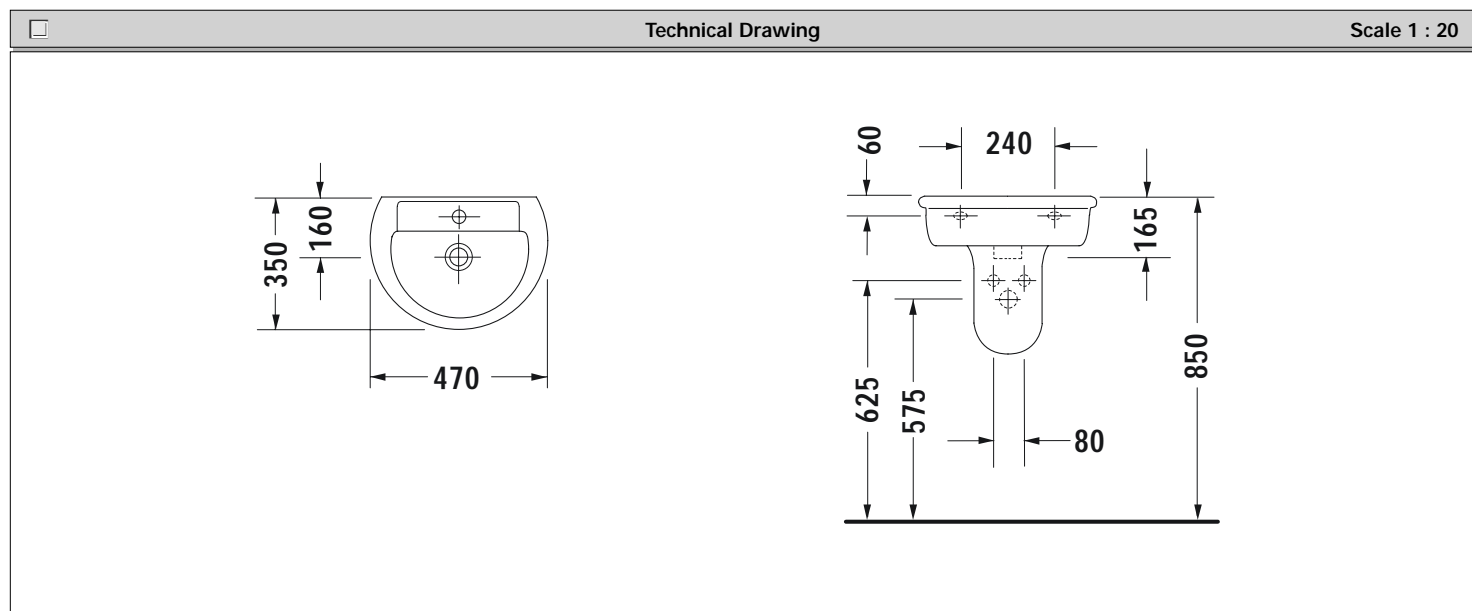
Design: Dieter Sieger



- GB** Handrinse basin
- F** Lave-mains
- NL** Wastafel
- I** Lavamani
- E** Lavamanos # 076347..00

18 1/2 inches
 ← 470 mm →

Technical Data	
#	076347..00
Tap holes	→ Page 1-5 ●
mm	470 x 350
kg	9,1
Accessories	Siphon cover · Cache-siphon · Sifonkap · Semicolonna · Semipedestal, # 086342..00
Installation	2 bolts · goujons · schroeven · bulloni · tornillos, 10 x 140 mm
Info	Shelf · Tablette · Tablet · Mensola · Repisa, # 090450..00
Colour	00, 11, 47, 52, 56



Design: Dieter Sieger


 GB Pedestal

 F Colonne

 NL Zuil

 I Colonna

 E Pedestal # 086340..00


Siphon cover

Cache-siphon

Sifonkap

Semicolonna

Semipedestal # 086342..00/086345..00

Technical Data	
#	086340..00
	for washbasin · pour lavabo · voor wastafel · per lavabo · para lavabo, # 040055..00/040060..00/040065..00/040070..00
kg	11,9
Colour	00, 11, 47, 52, 56

Technical Data	
#	086342..00/086345..00
	→ # 086342..00 for handrinse basin · pour lave-mains · voor handwasbak · per lavamani · para lavamanos, # 076347..00 → # 086345..00 for washbasin · pour lavabo · voor wastafel · per lavabo · para lavabo, # 040055..00/040060..00/040065..00/040070..00
kg	5,0/6,5
Installation	# 0067011000
Colour	00, 11, 47, 52, 56

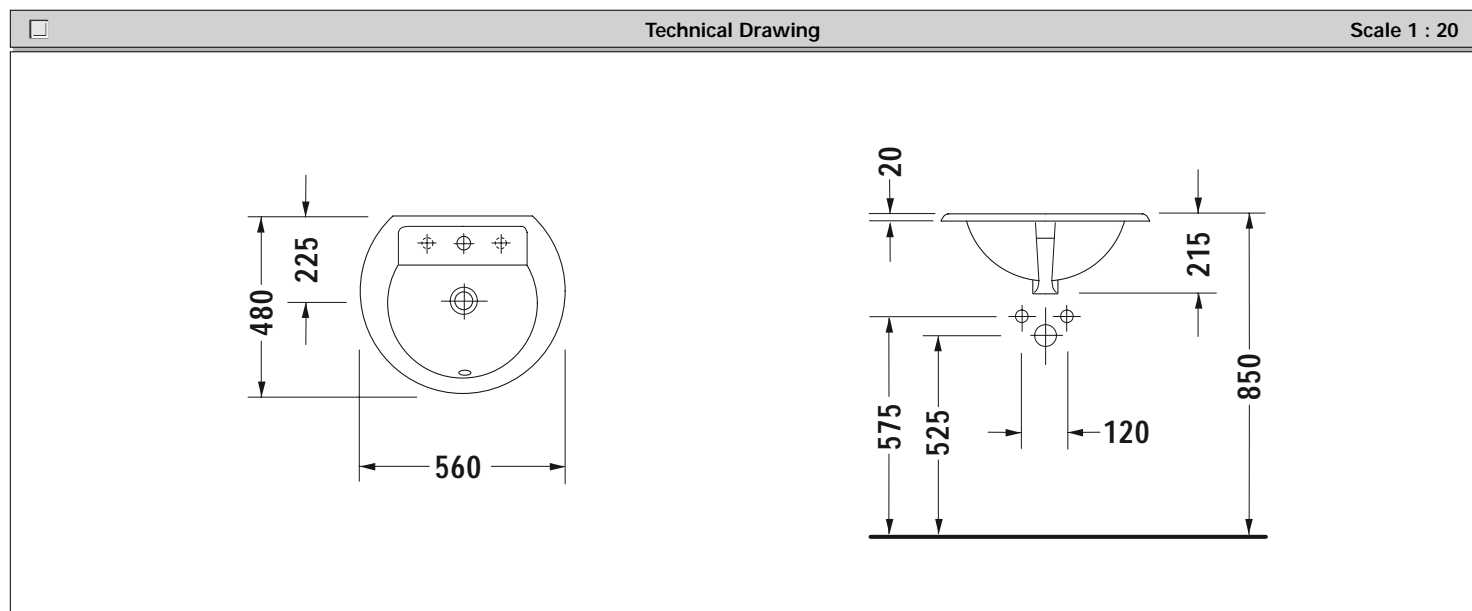
Design: Dieter Steger



- GB Vanity basin
 F Vasque
 NL Opbouwwastafel
 I Lavabo a incasso
 E Lavabo empotrado # 046456..00

22 inches
 ← 560 mm →

Technical Data	
#	046456..00
	Countertop model · Montage par-dessus · Opbouwwastafel · Per incasso dall'alto · Para montaje desde arriba
Tap holes	→ Page 1-5 ○ ● ○
mm	560 x 480
kg	8,6
Installation	Glued in · Collée · Montage gekleefd · Montaggio con colla · Se pega
Info	With mounting template · Avec plan de découpe · Met sjabloon voor montage · Con dima di montaggio · Con estarcido de montaje
Colour	00, 11, 47, 52, 56



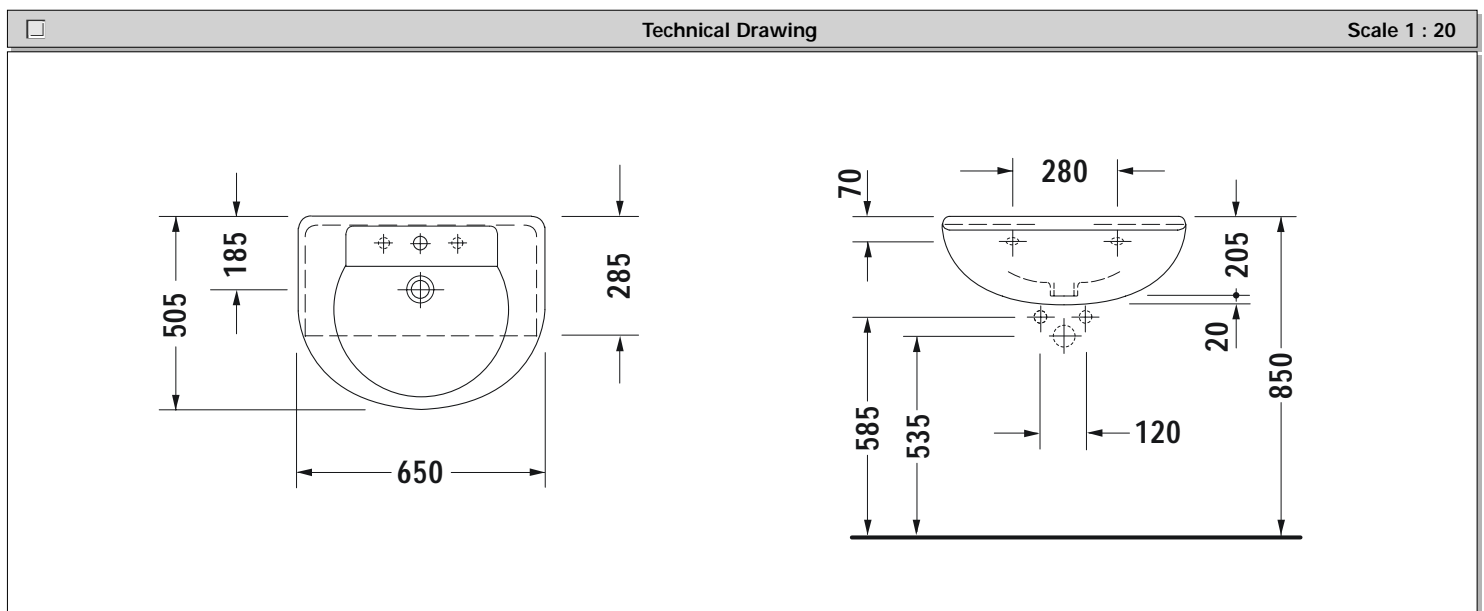
Design: Dieter Sieger



- GB** Semi-recessed washbasin
F Lavabo semi-encasté
NL Half-inbouwwastafel
I Lavabo semincasso
E Lavabo semi-empotrado # 046465..00

25 ⁵/₈ inches
 ← 650 mm →

Technical Data	
#	046465..00
Tap holes	→ Page 1-5 ○ ● ○
mm	650 x 505
kg	19,0
Accessories	Space saving siphon · Siphon spécial · Ruimtebesparende sifon · Sifone salva-spazio · Sifón ahorrador de espacio, # 0050130000
Info	With mounting template · Avec plan de découpe · Met sjabloon voor montage · Con dima di montaggio · Con estarcido de montaje
Colour	00, 11, 47, 52, 56



Design: Dieter Sieger



- GB Wall-mounted bidet
 F Bidet suspendu
 NL Wandbidet
 I Bidet sospeso
 E Bidé suspendido # 026515..00

Technical Data	
#	026515..00
Tap holes	→ Page 1-5 ●
kg	15,7
Installation	# 006500**00
Info	** 00 – White · Blanc · Wit · Bianco · Blanco 10 – Chrome · Chromé · Chroom · Cromato · Cromado
Colour	00, 11, 47, 52, 56

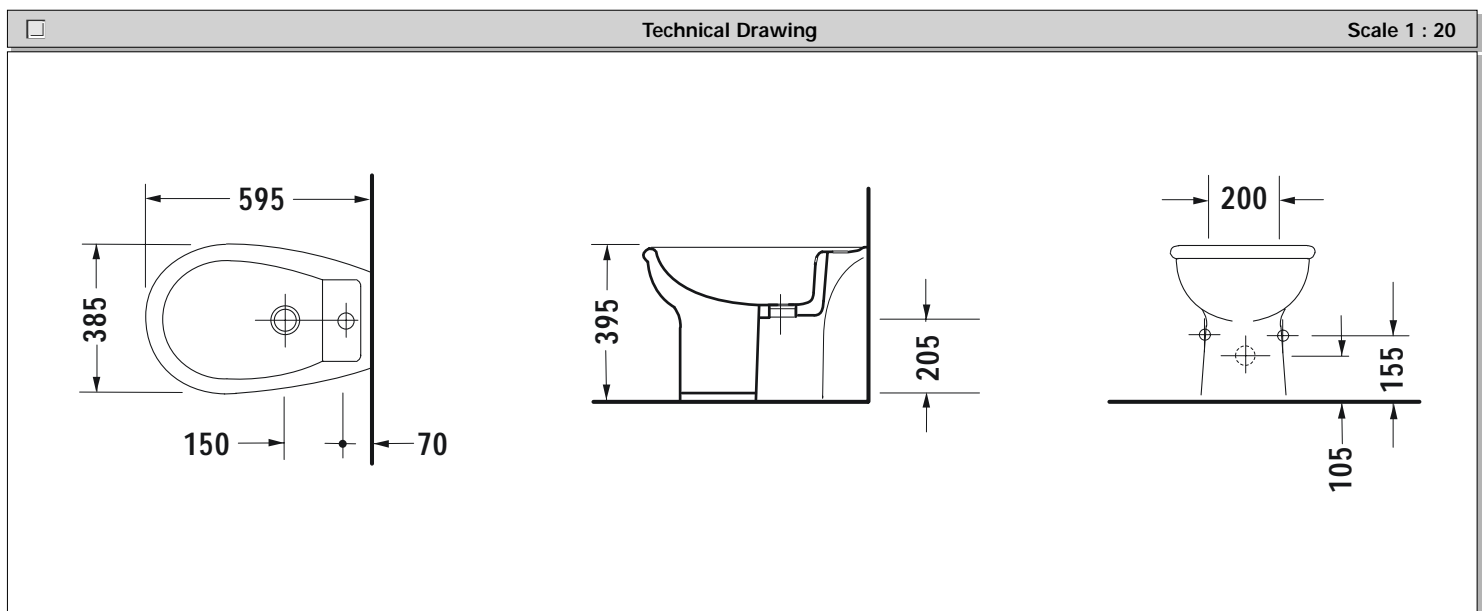
Technical Drawing		Scale 1 : 20
<p> Top view dimensions: 540 (width), 365 (depth), 130 (width to center), 75 (width to edge). Side profile view dimensions: 400 (height), 195 (height to top), 55 (height to bottom). Front view dimensions: 180 (width), 330 (height), 320 (width to center), 110 (height to bottom). </p>		

Design: Dieter Slegers



- GB** Floor standing bidet
- F** Bidet sur pied
- NL** Staand bidet
- I** Bidet a pavimento
- E** Bidé de pie # 026510..00

Technical Data	
#	026510..00
Tap holes	→ Page 1-5 ●
kg	17,5
Installation	# 0067011000
Colour	00, 11, 47, 52, 56



Design: Dieter Sieger

US Version
IAPMO listed

- GB** Wall-mounted toilet
 F Cuvette suspendue
 NL Wand-WC
 I Vaso sospeso
 E Inodoro suspendido # 020709..00

Technical Data	
#	020709..00
	♣ Washdown toilet · Cuvette à fond creux · Diepspoel-WC · Vaso a cacciata · Inodoro de lavado inferior
kg	15,8
Accessories	Toilet seat and cover · Abattant · WC-zitting · Sedile · Asiento y tapa, # 00642*..00 Noise reduction gasket · Set de protection acoustique · Geluiddemping-set · Set insonorizzante per tutti i vasi sospesi · Junta para reducción de ruido, # 0050200000

Technical Data	
Installation	# 006500**00
Installation kit	# 001432**00
Info	* Hinges · Charnières · Scharnieren · Cerniere · Bisagras: 0 – Stainless steel · Inox · Edellaal · Inox · Acero inoxidable, 3 – Gold · Doré · Goud · Dorato · Oro, 7 – White · Blanc · Wit · Bianco · Blanco ** 00 – White · Blanc · Wit · Bianco · Blanco, 10 – Chrome · Chromé · Chroom · Cromato · Cromado
Colour	00, 11, 47, 52, 56

Technical Drawing		Scale 1 : 20

Design: Dieter Sieger



- GB** Wall-mounted toilet
F Cuvette suspendue
NL Wand-WC
I Vaso sospeso
E Inodoro suspendido # 021309..00

Technical Data	
#	021309..00
	♣ Washout toilet · Cuvette à fond plat · Vlakspoel-WC · Vaso a fondo piano · Inodoro de lavado superior
kg	15,8
Accessories	Toilet seat and cover · Abattant · WC-zitting · Sedile · Asiento y tapa, # 00642*..00 Noise reduction gasket · Set de protection acoustique · Geluiddemping-set · Set insonorizzante per tutti i vasi sospesi · Junta para reducción de ruido, # 0050200000

Technical Data	
Installation	# 006500**00
Installation kit	# 001432**00
Info	* Hinges · Charnières · Scharnieren · Cerniere · Bisagras: 0 – Stainless steel · Inox · Edellaal · Inox · Acero inoxidable, 3 – Gold · Doré · Goud · Dorato · Oro, 7 – White · Blanc · Wit · Bianco · Blanco ** 00 – White · Blanc · Wit · Bianco · Blanco, 10 – Chrome · Chromé · Chroom · Cromato · Cromado
Colour	00, 11, 47, 52, 56

Technical Drawing		Scale 1 : 20

Design: Dieter Sieger



- GB** Floor standing toilet
F Cuvette sur pied
NL Staand WC
I Vaso a pavimento
E Inodoro de pie # 023201..00/023209..00

Technical Data	
#	023201..00/023209..00
	Washdown toilet · Cuvette à fond creux · Diepspoel-WC · Vaso a cacciata · Inodoro de lavado inferior Vertical outlet · Sortie verticale · Verticale afvoer · Scarico a pavimento · Desagüe vertical/ Horizontal outlet · Sortie horizontale · Horizontale afvoer · Scarico a parete · Desagüe horizontal
kg	18,6/18,0
Accessories	Cistern · Réservoir · Reservoir · Cassetta · Cisterna, # 872600..01/872610..01 Cistern Singapore standard, # 872620..01 Toilet seat and cover · Abattant · WC-zitting · Sedile · Asiento y tapa, # 00642*..00

Technical Data	
Installation	# 023201: # 0067011000
Installation kit	# 023209: # 0014331000
Info	* Hinges · Charnières · Scharnieren · Cerniere · Bisagras: 0 – Stainless steel · Inox · Edelmetal · Inox · Acero inoxidable, 3 – Gold · Doré · Goud · Dorato · Oro, 7 – White · Blanc · Wit · Bianco · Blanco
Colour	00, 52, 56

Technical Drawing		Scale 1 : 20
# 023201..00		# 023209..00

Design: Dieter Sieger



- GB Cistern
 F Réservoir
 NL Reservoir
 I Cassetta
 E Cisterna # 872600..01 / 872610..01

Technical Data	
#	872600..01/872610..01
	<ul style="list-style-type: none"> ◆ # 872600..01 Back or side supply · Alimentation latérale ou arrière · Aansluiting links/rechts en midden · Per attacco sinistro, destro o centrale · Suministro de agua por la parte posterior o lateral ◆ # 872610..01 Bottom supply · Alimentation par dessous · Aansluiting onder links · Per attacco sinistro basso · Suministro de agua por la parte inferior
	With mechanism chrome · Avec mécanisme chromé · Met chroom mechanisme · Con batteria cromata · Mecanismo cromado

Technical Data	
kg	11,1/11,1
Accessories	Conversion set · Set de transformation · Aanpassingsset om van achteraansluiting naar zijdelingse te veranderen · Set per allacciamento successivo per attacco centrale · Surtido para conversión centrada, # 007494**00
Info	** 00 – White · Blanc · Wit · Bianco · Blanco, 10 – Chrome · Chromé · Chroom · Cromato · Cromado, 30 – Gold · Doré · Goud · Dorato · Oro 3–6 liters version: # 872600..02/872610..02
Colour	00, 11, 47, 52, 56

Technical Drawing		Scale 1 : 20

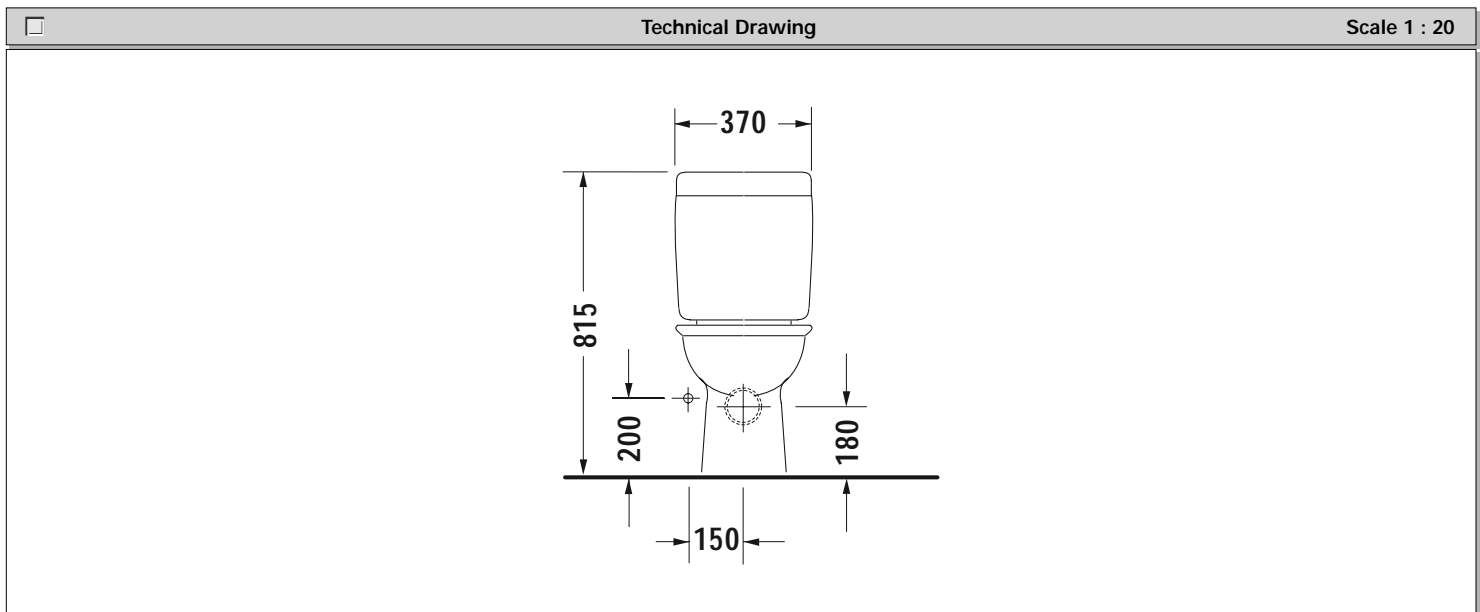


Design: Dieter Steger



- GB Cistern
- F Réservoir
- NL Reservoir
- I Cassetta
- E Cisterna # 872620..01

□ Technical Data	
#	872620..01
	● → Cistern Singapore standard, bottom supply With mechanism chrome
kg	11,7
Colour	00, 11, 47, 52, 56



Design: Dieter Steiger



- GB** Floor standing toilet
F Cuvette sur pied
NL Staand WC
I Vaso a pavimento
E Inodoro # 015201..00

Technical Data	
#	015201..00
	<ul style="list-style-type: none"> ◆ Washdown toilet, for independent water supply · Cuvette à fond creux indépendante · Diepspoel-WC · Vaso a cacciata, per entrata dell'acqua libera · Inodoro de lavado inferior · Vertical outlet · Sortie verticale · Verticale afvoer · Scarico a pavimento · Desagüe vertical
kg	18,5
Accessories	Toilet seat and cover · Abattant · WC-zitting · Sedile · Asiento y tapa, # 00642*..00

Technical Data	
Installation	# 0067011000
Info	* Hinges · Charnières · Scharnieren · Cerniere · Bisagras: 0 – Stainless steel · Inox · Edellaal · Inox · Acero inoxidable, 3 – Gold · Doré · Goud · Dorato · Oro, 7 – White · Blanc · Wit · Bianco · Blanco
Colour	00, 11, 47, 52, 56

Flushometer · Robinet de chasse d'eau · Drukspoelsysteem · Pulsante di risciacquo · Fluxometro	A
Cistern · Réservoir · Reservoir · Casetta di sciacquo esterna · Cisterna	165
	210

Technical Drawing		Scale 1 : 20



Design: Dieter Steger



GB Toilet seat and cover

F Abattant

NL WC-zitting

I Sedile

E Asiento y tapa # 00642*..00

Technical Data	
#	00642*..00
kg	2,9
Info	* Hinges · Charnières · Scharnieren · Cerniere · Bisagras: 0 – Stainless steel · Inox · Edelstaal · Inox · Acero inoxidable, 3 – Gold · Doré · Goud · Dorato · Oro, Ottone nobilitato · Latón pulido, 7 – White · Blanc · Wit · Bianco · Blanco
Colour	00, 11, 47, 52, 56

Design: Dieter Steiger



- GB** Urinal
 F Urinoir
 NL Urinoir
 I Orinatoio
 E Urinario # 840241..06 / with Fly # 8402410014

12 inches
 ← 305 mm →

Technical Data	
#	840241..06/8402410014
	for cover · pour couvercle · voor deksel · per coperchio · para tapa
mm	305 x 285
kg	10,0
Accessories	Cover for urinal · Couvercle pour urinoir · Deksel voor urinoir · Coperchio per orinatoio · Tapa para urinario, # 00664*..00
	Siphon with siphonic action · Vidage à action siphonique · Urinoir met sifonwerking · Sifone ad aspirazione · Sifón de desagüe con mecanismo aspiratorio, # 005012000

Technical Data	
Installation	2 bolts · goujons · schroeven · bulloni · tornillos, 8 x 120 mm
Info	* Hinges · Charnières · Scharnieren · Cerniere · Bisagras: 0 – White · Blanc · Wit · Bianco · Blanco 1 – Stainless steel · Inox · Edelstaal · Inox · Acero inoxidable,
Colour	00, 11, 47, 52, 56

Technical Drawing		Scale 1 : 20

