

Caro Series



- ▶ Timeless beauty in its purest form: The philosophy of tranquility, purity and reduction is at the core of this series
- ▶ Washbasins available in 900, 700 and 600 mm as well as 500 mm handrinse basin.

- ▶ Along the same lines: the 1400 mm furniture washbasin with matching vanity unit, the 650 mm semi-recessed basin and the vanity basin 570 mm.

- ▶ Full range: Sanitary ceramics, accessories and bathroom furniture (→ see Badmagazin)
- ▶ Designed by: Phoenix Product Design

Colour group	A			B			C
Colour / ref. of colour	White - 00	Manhattan - 11	Amber - 41	Pergamon - 47	Greenwich - 52	Key West - 56	Edelweiss - 78
available	●			●			

MM > INCHES

mm > inches							
5	1/8	295	11 5/8	585	23	880	34 5/8
10	3/8	300	11 3/4	590	23 1/4	885	34 7/8
15	5/8	305	12	595	23 3/8	890	35
20	3/4	310	12 1/4	600	23 5/8	895	35 1/4
25	1	315	12 3/8	605	23 3/4	900	35 1/2
30	1 1/8	320	12 5/8	610	24	915	36
35	1 3/8	325	12 3/4	615	24 1/4	920	36 1/4
40	1 5/8	330	13	620	24 1/2	925	36 3/8
45	1 3/4	335	13 1/4	625	24 5/8	935	36 3/4
50	2	340	13 3/8	630	24 3/4	940	37
55	2 1/8	345	13 5/8	635	25	980	38 5/8
60	2 3/8	350	13 3/4	640	25 1/4	995	39 1/8
65	2 1/2	355	14	645	25 3/8	1000	39 3/8
70	2 3/4	360	14 1/8	650	25 5/8	1015	40
75	3	365	14 3/8	655	25 3/4	1020	40 1/8
80	3 1/8	370	14 1/2	660	26	1030	40 1/2
85	3 3/8	375	14 3/4	665	26 1/4	1035	40 3/4
90	3 1/2	380	15	670	26 3/8	1045	41 1/8
95	3 3/4	385	15 1/8	675	26 5/8	1050	41 3/8
100	4	390	15 3/8	680	26 3/4	1070	42 1/8
105	4 1/8	395	15 1/2	685	27	1100	43 1/4
110	4 3/8	400	15 3/4	690	27 1/8	1150	45 1/4
115	4 1/2	405	16	695	27 3/8	1195	47
120	4 3/4	410	16 1/8	700	27 1/2	1200	47 1/4
125	4 7/8	415	16 3/8	705	27 3/4	1220	48
130	5 1/8	420	16 1/2	710	28	1225	48 1/4
135	5 3/8	425	16 3/4	715	28 1/8	1240	48 7/8
140	5 1/2	430	16 7/8	720	28 3/8	1300	51 1/8
145	5 3/4	435	17 1/8	725	28 1/2	1320	52
150	5 7/8	440	17 3/8	730	28 3/4	1400	55 1/8
155	6 1/8	445	17 1/2	735	28 7/8	1415	55 1/4
160	6 1/4	450	17 3/4	740	29 1/8	1515	59 5/8
165	6 1/2	455	17 7/8	745	28 3/8	1600	63
170	6 3/4	460	18 1/8	750	29 1/2	2000	78 3/4
175	6 7/8	465	18 1/4	755	29 3/4	2015	79 3/8
180	7 1/8	470	18 1/2	760	29 7/8	2500	98 1/2
185	7 1/4	475	18 3/4	765	30 1/8		
190	7 1/2	480	18 7/8	770	30 3/8		
195	7 5/8	485	19 1/8	775	30 1/2		
200	7 7/8	490	19 1/4	780	30 3/4		
205	8 1/8	495	19 1/2	785	30 7/8		
210	8 1/4	500	19 5/8	790	31 1/8		
215	8 1/2	505	19 7/8	795	31 1/4		
220	8 5/8	510	20 1/8	800	31 1/2		
225	8 7/8	515	20 1/4	805	31 3/4		
230	9	520	20 1/2	810	31 7/8		
235	9 1/4	525	20 5/8	815	32 1/8		
240	9 1/2	530	20 7/8	820	32 1/4		
245	9 5/8	535	21	825	32 1/2		
250	9 7/8	540	21 1/4	835	32 7/8		
255	10	545	21 1/2	840	33 1/8		
260	10 1/4	550	21 5/8	845	33 1/4		
265	10 3/8	555	21 7/8	850	33 1/2		
270	10 5/8	560	22	855	33 5/8		
275	10 7/8	565	22 1/4	860	33 7/8		
280	11	570	22 1/2	865	34		
285	11 1/4	575	22 5/8	870	34 1/4		
290	11 3/8	580	22 7/8	875	34 1/2		



INTERNATIONAL STANDARDS

EU STANDARDS

	Serie	Description	Model-No.	KIWA	IAPMO	QAS	CSA	Singapore	
International Standards P = Pending ● = Listed	■ 1930	Cistern	087220..03			●			
		Cistern, US version	087223..01		●				
		Toilet, floor st., vertical outlet	022701..00				●	●	
			Toilet, floor st., horiz. outlet	022709..00			●		
			Toilet, US version	015101..00		●			
			Toilet, wall-mounted	018209..00					●
		■ Architec	Toilet, wall-mounted	019009..00	●		●		
			Washbasin	044958..00		●			
		■ Bacino	Washbowl	032542..00		●		●	
		■ Caro	Cistern	087250..01					●
			Toilet floor-st., Vario outlet	022509..00					●
			Toilet, wall-mounted	015609..00		●			
		■ Darling	Cistern	872600..01	●		●		
			Cistern, Singapore standard	872620..01					●
			Toilet, floor-st., vertical outlet	023201..00	●		●		●
			Toilet, floor-st., horiz. outlet	023209..00	●		●		●
			Toilet, wall-mounted	020709..00		●	●	●	
		■ Dellarco	Cistern	087301..01					●
			Cistern, Singapore standard	087321..00					●
			Toilet, floor-st., horiz. outlet	015009..00			●		
			Toilet, floor-st., vertical outlet	021801..00					●
			Toilet, floor-st., horiz. outlet	021809..00					●
		■ Duraplus	Cistern	087920..01	●		●		
			Cistern	088630..01			●		
			Cistern NL standard	087922..02	●				
			Cistern, Singapore standard	087924..01					●
			Toilet, wall-mounted	022809..00			●		
			Toilet, floor-st., vertical outlet	022901..00	●		●		●
			Toilet, floor-st., horiz. outlet	022909..00	●		●		
			Toilet, floor-st., Vario outlet	022409..00			●		
			Toilet, floor-st., Vario, washout	024609..00			●		
			Toilet, wall-mounted	019209..00			●		
			Toilet, wall-mounted	254709..00					●
		■ Foster	Cistern	091200..00			●		
			Toilet, wall-mounted, washout	017509..00		●	●	●	P
			Toilet, floor-st., vertical outlet	017609..00			●		P
		■ Giamo	Cistern	088200..01					●
			Toilet, floor-st., Vario outlet	024209..00					●
			Toilet, wall-mounted	019109..00					●
		■ Giorno	Cistern	0911000001		P			P
			Toilet, wall-mounted, washout	017309..00		●		●	
			Toilet, floor-st., Vario outlet	024709..00		P		P	
		■ Happy D.	Cistern	091000..01			●		
			Toilet, floor-st., horiz. outlet	017009..00		P	●		
			Toilet, wall-mounted	017109..00		●		●	
			Toilet, floor-st., Vario outlet	017009..00			●		
		■ Katya	Toilet, wall-mounted	018409..00	●				●
	■ Metro	Toilet, one piece US version	015701..01		●		●		
	■ Starck 2	Cistern, British standard	872900..01			●			
		Toilet, floor-st., Vario outlet	023809..00			●			
		Toilet, wall-mounted	016009..00		●		●		
		Toilet, one piece US version	016301..01		●		●		
	■ Starck 3	Cistern, British standard	092000..01	P		P			
		Toilet, floor-st., horiz. outlet	012409..00			P			
		Toilet, cl.-coup., Vario outlet	012809..00			P			
		Toilet, wall-mount., washdown	220009..00	P	P	P	P		
		Toilet, wall-mount., compact	220209..00	P		P			
		Toilet, cl.-coup., vertical outlet	012601..00	P		P			
		Toilet, cl.-coup., horiz. outlet	012609..00	P		P			
		Vanity basin	030549..00		●		●		
	■ Tribeca	Toilet, one piece US version	015901..01		●		●		
	■ Urinals	Urinal, waterless	084436..00		●	P			
		Urinal, electronic	083035..00		P	P			
	■ Vero	Washbasin	045460..00		●		●		
EU Standards	Item			Dimension	Function				
	Washbasin			EN 31					
	Washbasin			EN 32					
	Handrinse basin			EN 111					
	Wall mounted toilet, close-coupled, with cistern			EN 34	EN 997				
	Wall mounted toilet for concealed cistern			EN 38	EN 997				
	Floor-standing toilet, close-coupled, with cistern			EN 33	EN 997				
	Floor-standing toilet for independent water supply			EN 37	EN 997				
	Urinal			EN 80	DIN 1390				
	Floor-standing bidet			EN 35					
Wall-mounted bidet			EN 36						

Design: Phoenix Product Design


 GB Washbasin

 F Lavabo

 NL Wastafel

 I Lavabo

 E Lavabo # 043460..00/043470..00/043490..00
23 ⁵/₈ / 27 ¹/₂ / 35 ¹/₂ inches

← 600/700/900 mm →

Technical Data	
#	043460..00/043470..00/043490..00
Tap holes	→ Page 1-5 ○ ● ○
mm	600 x 470/700 x 505/900 x 595
kg	14,5/20,0/30,3
Accessories	→ # 043490..00: Pedestal · Colonne · Zuil · Colonna · Pedestal, # 086320..00, Siphon cover · Cache-siphon · Sifonkap · Semicolonna · Semipedestal, # 086325..00 → # 043470..00, # 043460..00: Pedestal · Colonne · Zuil · Colonna · Pedestal, # 086321..00, Siphon cover · Cache-siphon · Sifonkap · Semicolonna · Semipedestal, # 086326..00

Technical Data	
Installation	2 bolts · goujons · schroeven · bulloni · tornillos, 10 x 140 mm
Colour	00, 47, 52

mm	A	B	C	D	E	F	G
600	600	470	170	225	50	620	570
700	700	505	185	215	65	605	555
900	900	595	195	255	60	595	545

Technical Drawing		Scale 1 : 20
# 043490..00	X To determine height please set washbasin on pedestal.	

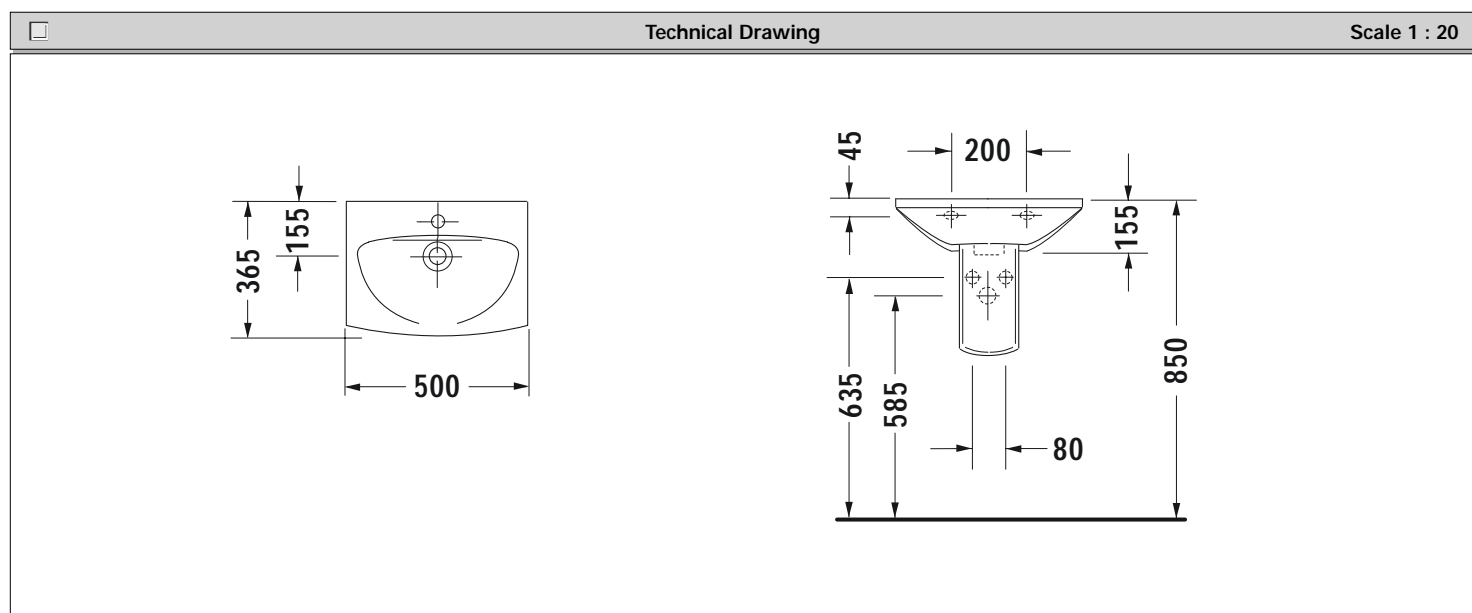
Design: Phoenix Product Design



- GB Handrinse basin
 F Lave-mains
 NL Handwasbakje
 I Lavamani
 E Lavamanos # 079150..00

19 ⁵/₈ inches
 ← 500 mm →

Technical Data	
#	079150..00
Tap holes	→ Page 1-5 ●
mm	500 x 365
kg	9,3
Accessories	Siphon cover · Cache-siphon · Sifonkap · Semicolonna · Semipedestal, # 086322..00
Installation	2 bolts · goujons · schroeven · bulloni · tornillos, 10 x 140 mm
Colours	00, 47, 52, 78



Design: Phoenix Product Design



- GB** Pedestal
 F Colonne
 NL Zuil
 I Colonna
 E Pedestal # 086320..00/086321..00



- Siphon cover
 Cache-siphon
 Sifonkap
 Semicolonna
 Semipedestal # 086322..00/086325..00/086326..00

Technical Data	
#	086320..00/086321..00
	→ # 086320..00 for washbasin · pour lavabo · voor wastafel · per lavabo · para lavabo, # 043490..00
	→ # 086321..00 for washbasin · pour lavabo · voor wastafel · per lavabo · para lavabo, # 043460..00, # 043470..00
kg	16,5/13,5
Colours	00, 47, 52, 78

Technical Data	
#	086322..00/086325..00/086326..00
	→ # 086322..00 for handrinse basin · pour lave-mains · voor handwasbak · per lavamani · para lavamanos, # 079150..00
	→ # 086325..00 for washbasin · pour lavabo · voor wastafel · per lavabo · para lavabo, # 043490..00
	→ # 086326..00 for washbasin · pour lavabo · voor wastafel · per lavabo · para lavabo, # 043460..00, # 043470..00
kg	4,5/10,1/5,5
Installation	# 0055030000
Colours	00, 47, 52, 78

Design: Phoenix Product Design



- GB Vanity basin
 F Vasque
 NL Inbouwwastafel
 I Lavabo a incasso
 E Lavabo empotrable # 046157..00

22 inches
 ← 560 mm →

Technical Data	
#	046157..00
Countertop model · Montage par-dessus · Opbouwwastafel · Per incasso dall'alto · Para montaje desde arriba	
Tap holes	→ Page 1-5 ○ ● ○
mm	560 x 445
kg	11,0
Installation	Glued in · Collée · Montage gekleefd · Montaggio con colla · Se pega
Info	With mounting template · Avec plan de découpe · Met sjabloon voor montage · Con dima di montaggio · Con estarcido de montaje
Colours	00, 47, 52, 78

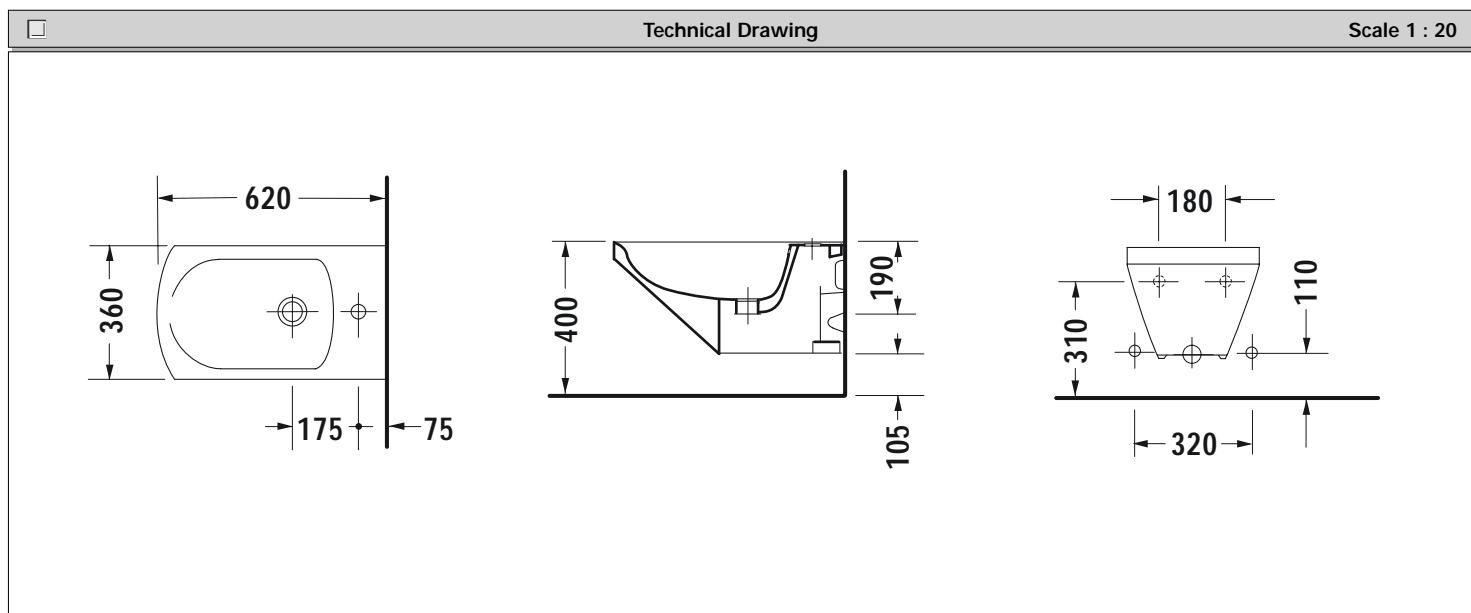
Technical Drawing		Scale 1 : 20

Design: Phoenix Product Design



- GB** Wall-mounted bidet
- F** Bidet suspendu
- NL** Wandbidet
- I** Bidet sospeso
- E** Bidé suspendido # 029015..00

Technical Data	
#	029015..00
Tap holes	→ Page 1-5 ●
kg	18,5
Installation	# 006500**00
Info	** 00 – White · Blanc · Wit · Bianco · Blanco 10 – Chrome · Chromé · Chroom · Cromato · Cromado
Colours	00, 47, 52

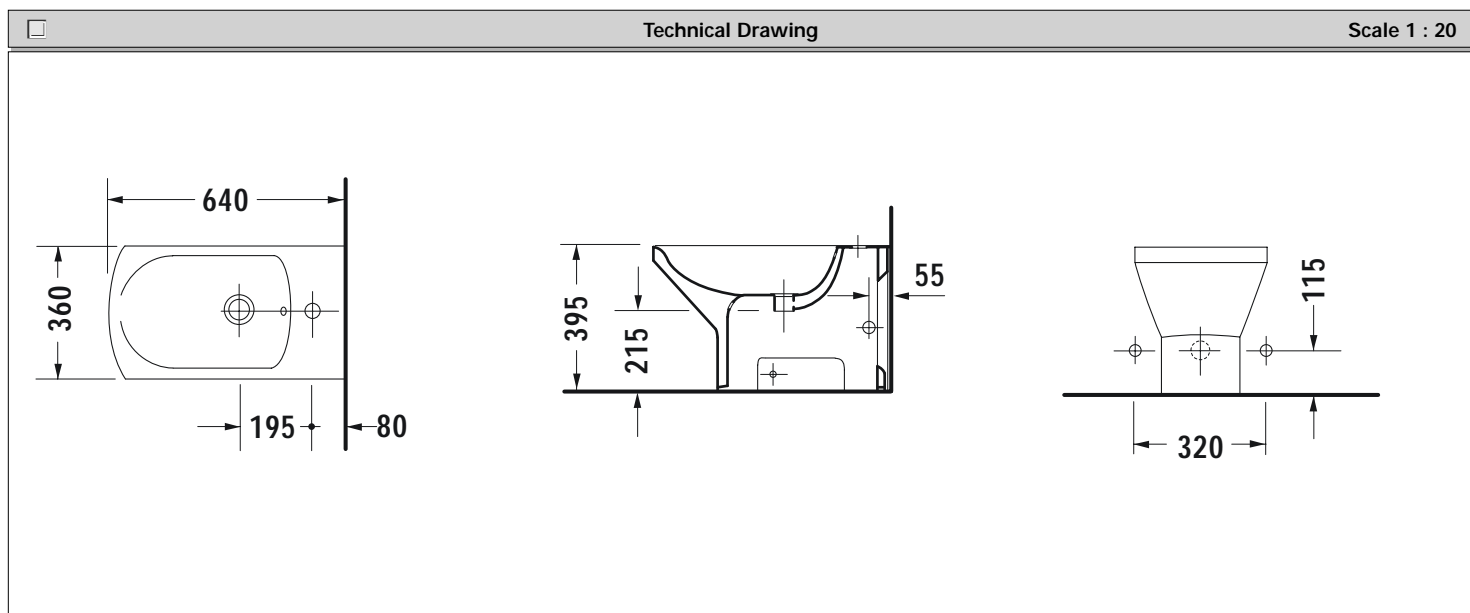


Design: Phoenix Product Design



- GB** Floor standing bidet
- F** Bidet sur pied
- NL** Staand bidet
- I** Bidet a pavimento
- E** Bidé de pie # 029010..00

Technical Data	
#	029010..00
Tap holes	→ Page 1-5 ●
kg	27,2
Installation	inclusive · inclus · inclusief · incluso · incluida
Colours	00, 47, 52



US Version
 IAPMO listed


- GB** Wall-mounted toilet
F Cuvette suspendue
NL Wand-WC
I Vaso sospeso
E Inodoro suspendido # 015609..00

Technical Data	
#	015609..00
	♦ Washdown toilet · Cuvette à fond creux · Diepspoel-WC · Vaso a cacciata · Inodoro de lavado inferior
kg	22,0
Accessories	Toilet seat and cover · Abattant · WC-zitting · Sedile · Asiento y tapa, # 00656*..00 Noise reduction gasket · Set de protection acoustique · Geluiddemping-set · Set insonorizzante per tutti i vasi sospesi · Junta para reducción de ruido, # 0050200000
Installation	# 006500*00
Installation kit	# 001432*00

Technical Data	
Info	* Hinges · Charnières · Scharnieren · Cerniere · Bisagras: 0 – White · Blanc · Wit · Bianco · Blanco, 1 – Stainless steel · Inox · Edelstaal · Inox · Acero inoxidable, 4 – Black · Noir · Zwart · Nero · Negro, 5 – Polished brass · Poli vernis · Edelmessing · Ottone nobilitato · Latón pulido ** 00 – White · Blanc · Wit · Bianco · Blanco 10 – Chrome · Chromé · Chrom · Cromato · Cromado
Colours	00, 47, 52

Technical Drawing		Scale 1 : 20

Design: Phoenix Product Design



- GB** Wall-mounted toilet
F Cuvette suspendue
NL Wand-WC
I Vaso sospeso
E Inodoro suspendido # 019809..00

Technical Data	
#	019809..00
	♣ Washdown toilet · Cuvette à fond creux · Diepspoel-WC · Vaso a cacciata · Inodoro de lavado inferior
kg	22,0
Accessories	Toilet seat and cover · Abattant · WC-zitting · Sedile · Asiento y tapa, # 00656*..00 Noise reduction gasket · Set de protection acoustique · Geluiddemping-set · Set insonorizzante per tutti i vasi sospesi · Junta para reducción de ruido, # 0050200000
Installation	# 006500**00
Installation kit	# 001432**00

Technical Data	
Info	* Hinges · Charnières · Scharnieren · Cerniere · Bisagras: 0 – White · Blanc · Wit · Bianco · Blanco, 1 – Stainless steel · Inox · Edelstaal · Inox · Acero inoxidable 4 – Black · Noir · Zwart · Nero · Negro 5 – Polished brass · Poli vernis · Edelmessing · Ottone nobilitato · Latón pulido ** 00 – White · Blanc · Wit · Bianco · Blanco 10 – Chrome · Chromé · Chroom · Cromado · Cromado
Colours	00, 47, 52

Technical Drawing		Scale 1 : 20

Design: Phoenix Product Design



- GB** Floor standing toilet
F Cuvette sur pied
NL Staand WC
I Vaso a pavimento
E Inodoro # 022509..00

Technical Data	
#	022509..00
◆	Washdown toilet · Cuvette à fond creux · Diepspoel-WC · Vaso a cacciata · Inodoro de lavado inferior
	Horizontal outlet · Sortie horizontale · Horizontale afvoer · Scarico a parete · Desagüe horizontal
kg	36,0
Accessories	Cistern · Réservoir · Reservoir · Cassetta · Cisterna, # 087250..01 Toilet seat and cover · Abattant · WC-zitting · Sedile · Asiento y tapa, # 00656*..00
Installation	inclusive · inclus · inclusief · incluso · incluida
Info	Vario outlet set · Set de raccordement universel Vario · Vario-set voor universele aansluiting · Completo di allacciamento Vario · Surtido de conexión Vario, # 0014220000

Technical Data	
Info	Special connector for vertical outlet · Afvoer buis speciaal voor verticale aansluiting · Tubo d'uscita speciale per allacciamento verticale · Tubo de desagüe especial para salida vertical, # 8990250006 With universal outlet horizontal/vertical · Avec sortie universelle horizontale/verticale · Met universele afvoer voor horizontale/verticale aansluiting · Con scarico universale per allacciamento orizzontale/verticale · Con surtido universal horizontal/vertical * Hinges · Charnières · Scharnieren · Cerniere · Bisagras: 0 – White · Blanc · Wit · Bianco · Blanco, 1 – Stainless steel · Inox · Edelstaal · Inox · Acero inoxidable, 4 – Black · Noir · Zwart · Nero · Negro, 5 – Polished brass · Poli vernis · Edelmessing · Ottone nobilitato · Latón pulido
Colours	00, 47, 52

Technical Drawing		Scale 1 : 20

Design: Phoenix Product Design



- GB** Cistern
- F** Réservoir
- NL** Reservoir
- I** Cassetta
- E** Cisterna # 087250..01

Technical Data	
#	087250..01
	<ul style="list-style-type: none"> ◆ Concealed left supply · Alimentation arrière gauche · Aansluiting links, verdekt · Attacco sinistro coperto · Suministro de agua oculto en la parte izquierda With mechanism chrome · Avec mécanisme chromé · Met chroom mechanism · Con batteria cromata · Mecanismo cromado
kg	12,5
Accessories	Push button actuator · Set finition · Druknop · Pulsante di risciacquo · Pulsador, # 007414**00

Technical Data	
Info	** 00 – White · Blanc · Wit · Bianco · Blanco, 40 – Black · Noir · Zwart · Nero · Negro, 51 – Polished brass · Poli vernis · Edelmessing · Ottone nobilitato · Latón pulido
Colours	00, 47, 52

Technical Drawing		Scale 1 : 20



Design: Phoenix Product Design



GB Toilet seat and cover

F Abattant

NL WC-zitting

I Sedile

E Asiento y tapa # 00656*..00

Technical Data	
#	00656*..00
kg	3,2
Info	* Hinges · Charnières · Scharnieren · Cerniere · Bisagras: 0 – White · Blanc · Wit · Bianco · Blanco 1 – Stainless steel · Inox · Edielstaal · Inox · Acero inoxidable 4 – Black · Noir · Zwart · Nero · Negro 5 – Polished brass · Poli vernis · Edelmessing · Ottone nobilitato · Latón pulido
Colours	00, 47, 52

Design: Phoenix Product Design



GB Urinal
F Urinoir
NL Urinoir
I Orinatoio
E Urinario # 083630..00

11 ³/₄ inches
 ← 300 mm →

Technical Data	
#	083630..00
	for cover · pour couvercle · voor deksel · per coperchio · para tapa
	Horizontal outlet · Sortie horizontale · Horizontale afvoer · Scarico a parete · Desagüe horizontal
mm	300 x 250
kg	12,0
Accessories	Cover for urinal · Couvercle pour urinoir · Deksel voor urinoir · Coperchio per orinatoio · Tapa para urinario, # 00655*..00
	Siphon with siphonic action · Vidage à action siphonique · Urinoir met sifonwerking · Sifone ad aspirazione · Sifón de desagüe con mecanismo aspiratorio, # 005012000

Technical Data	
Installation	inclusive · inclus · inclusief · incluso · incluida
Info	* Hinges · Charnières · Scharnieren · Cerniere · Bisagras: 0 – White · Blanc · Wit · Bianco · Blanco 1 – Stainless steel · Inox · Edielstaal · Inox · Acero inoxidable 4 – Black · Noir · Zwart · Nero · Negro 5 – Polished brass · Poli vernis · Edelmessing · Ottone nobilitato · Latón pulido
Colours	00, 47, 52

Technical Drawing		Scale 1 : 20

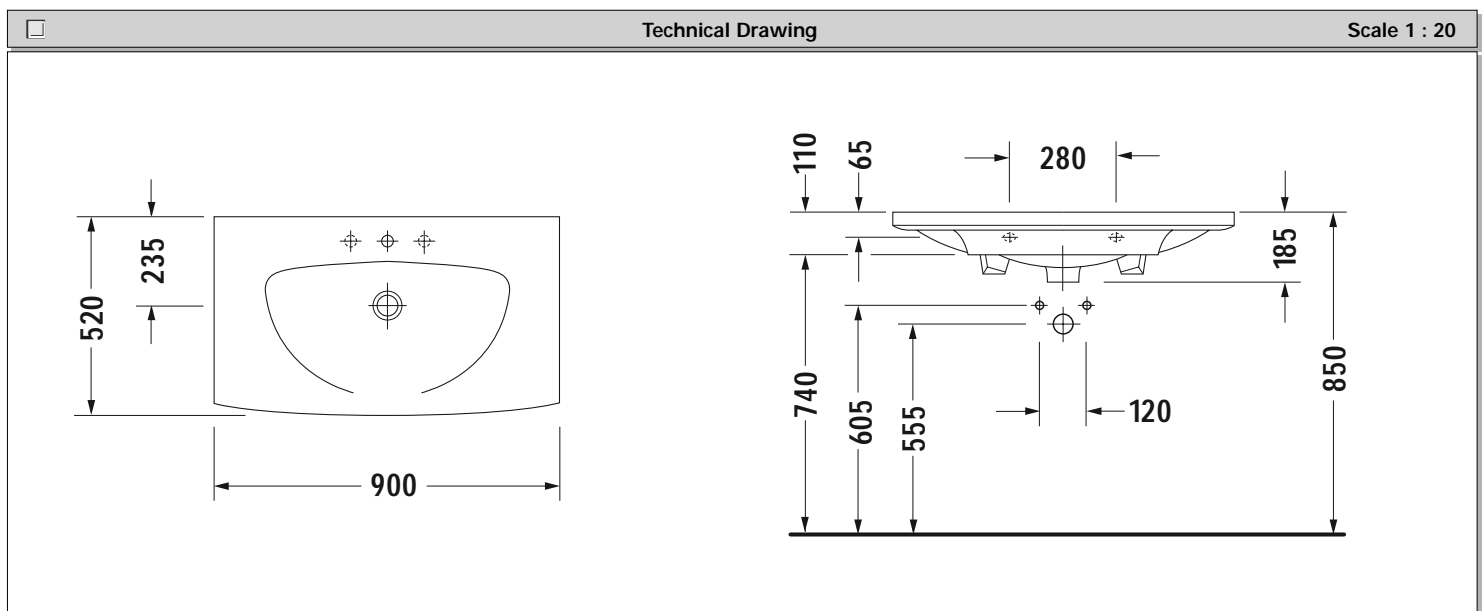
Design: Phoenix Product Design



- GB** Furniture washbasin
F Lavabo pour meuble
NL Wastafel voor meubel
I Lavabo per mobile
E Lavabo para mueble # 046190..00

35 1/2 inches
 ← 900 mm →

Technical Data	
#	046190..00
Tap holes	→ Page 1-5 ○ ● ○
mm	900 x 525
kg	26,6
Accessories	Vanity unit · Meuble sous-lavabo · Wastafelonderbouwkast · Base per lavabo · Mueble para lavabo, # 9584 Furniture foot · Pied · Voet · Piede · Pata, # 9935 Space saving siphon · Siphon spécial · Ruimtebesparende sifon · Sifone salva-spazio · Sifón ahorrador de espacio, # 0050130000
Installation	2 bolts · goujons · schroeven · bulloni · tornillos, 10 x 140 mm
Colours	00, 47, 52



Design: Phoenix Product Design



- GB** Furniture washbasin
F Lavabo pour meuble
NL Wastafel voor meubel
I Lavabo per mobile
E Lavabo para mueble # 046114..00

55 1/8 inches
 ← 1400 mm →

Technical Data	
#	046114..00
Tap holes	→ Page 1-5 ○ ● ○
mm	1400 x 520
kg	37,5
Accessories	Vanity unit · Meuble sous-lavabo · Wastafelonderbouwkast · Base per lavabo · Mueble para lavabo, # 9583 Furniture foot · Pied · Voet · Piede · Pata, # 9935 Space saving siphon · Siphon spécial · Ruimtebesparende sifon · Sifone salva-spazio · Sifón ahorrador de espacio, # 0050130000
Installation	2 bolts · goujons · schroeven · bulloni · tornillos, 10 x 140 mm
Colours	00, 47, 52

