

Shower - Meta

Concealed thermostat with two function volume control - polished chrome

Article number: 36 426 970-00

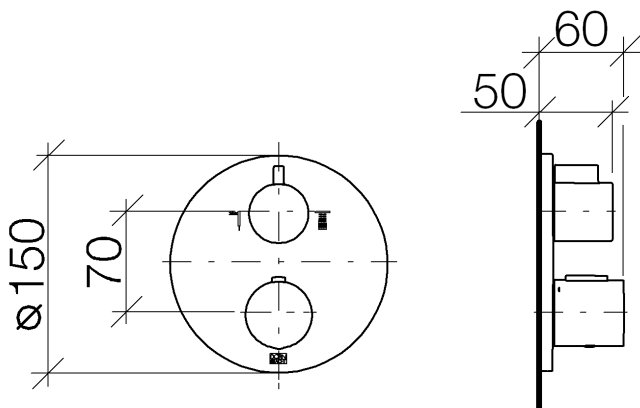
- rotary diverter with volume control and shut-off function
- cover plate Ø 150 mm
- temperature control handle with safety limit stop at 38°C
- hot water temperature limiter, can be preset



polished chrome

Miscellaneous items are required for this article.

Dimensional drawing



All details in mm / inch = mm x 0.0394

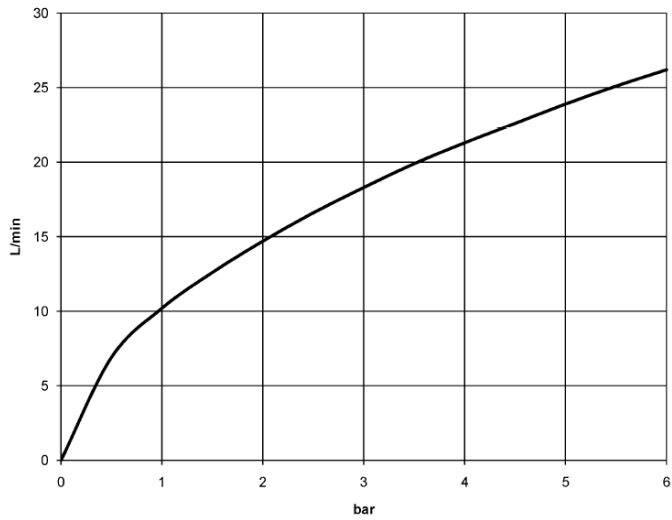


Shower - Meta

Concealed thermostat with two function volume control - polished chrome

Article number: 36 426 970-00

Flow rate chart





Shower - Meta

Concealed thermostat with two function volume control - polished chrome

Article number: 36 426 970-00

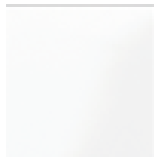
Other finish variants



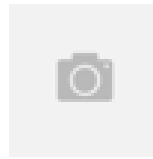
platinum matt
36 426 970-06



platinum
36 426 970-08



matt white
36 426 970-10



brushed Durabrass
36 426 970-28



matt black
36 426 970-33



Dark Platinum matt
36 426 970-99

Other finishes on request (x-tra Service)



35 425 970 90
Concealed thermostat -

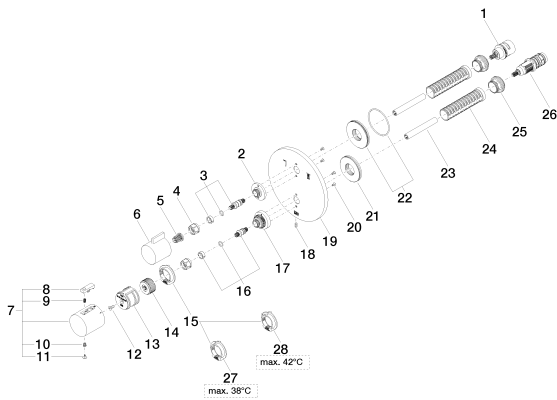


35 426 970 90
Concealed thermostat with
built-in isolators -

Shower - Meta

Concealed thermostat with two function volume control - polished chrome

Article number: 36 426 970-00



Spare parts list

No.	Item Number	Name	Quantity used
1	90 90 03 163 00 90	diverter	1
2	09 12 12 053-00	base	1
3	04 29 06 111 00-00	spindle	1
4	09 23 30 023 90	nut	2
5	09 12 12 002 90	fixing cap	1
6	09 20 67 006-00	handle	1
7	04 17 33 004 01-00	handle	1
8	09 21 33 010-00	handle	1
9	09 16 02 027 90	spring	1
10	09 30 30 136 90	screw	1
11	09 31 20 049-00	plug	1
12	09 30 30 124 90	screw	1
13	09 12 12 052 90	base	1
14	09 12 12 054 90	base	1
15	09 28 10 143 90	regulator	1
16	04 29 06 024 00-00	spindle	1
17	09 12 12 051-00	base	1
18	09 31 11 134 90	pin	1
19	09 11 02 243-00	plate	1
20	09 30 30 157 90	screw	4
21	09 30 01 188 90	disc	1
22	90 30 01 190 00 90	disc	1
23	09 23 01 124 90	sleeve	2
24	09 18 40 077 90	sleeve	2
25	09 24 04 257 90	nut	2
26	90 15 02 012 00 90	cartridge	1
27	09 28 10 150 90	regulator	1
28	09 28 10 151 90	regulator	1