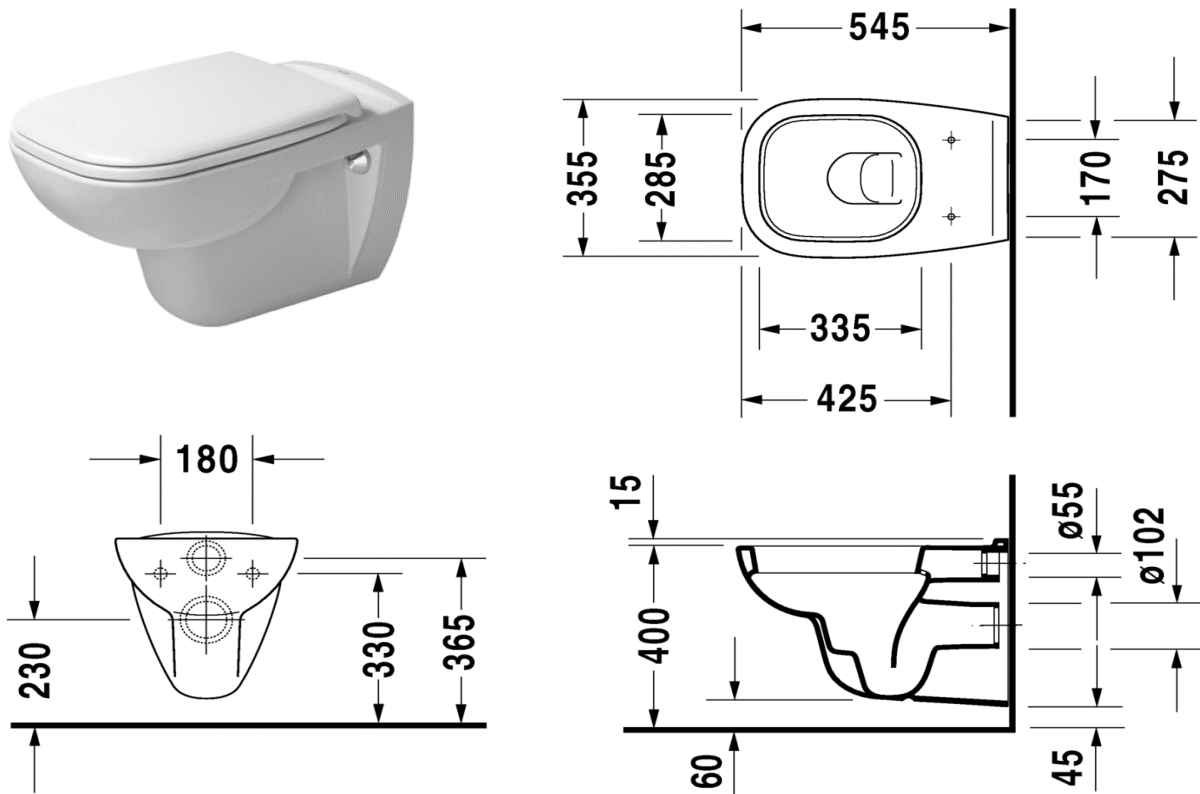


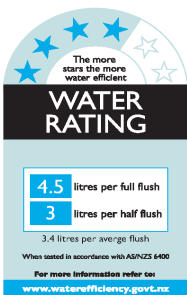
# DURAVIT D-Code

Duravit D-Code wall mounted toilet  
 (Requires soft close seat 067.39 or standard seat 067.31)  
**2535.09**



5 Year warranty (Vitreous China)

WELS Rating: 4 Star - 4.5/3 L



Max. Operating Pressure: 500Kpa.

Min. Operating Pressure: 50Kpa.

*Pipework must be flushed before installation*

*Please install as per manufacturers instructions in the box*

Due to our policy of continuous product development, the design and specification shown are subject to change without notice.

Please confirm all particulars with your sales consultant prior to purchase.