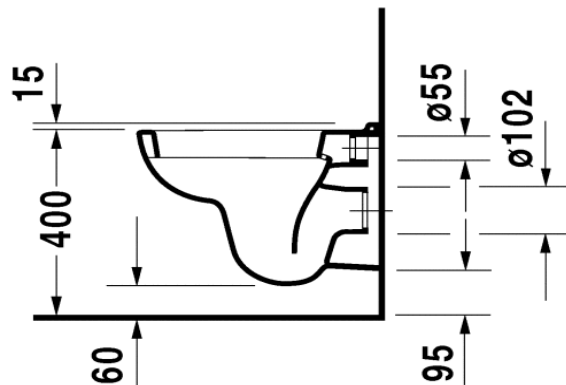
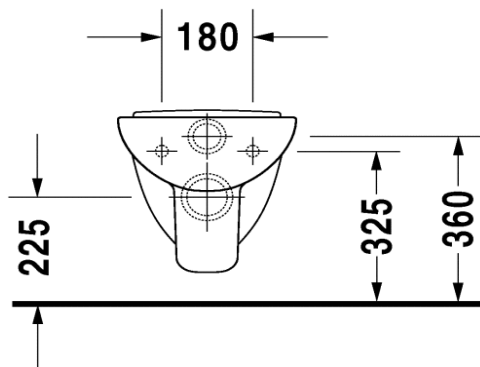
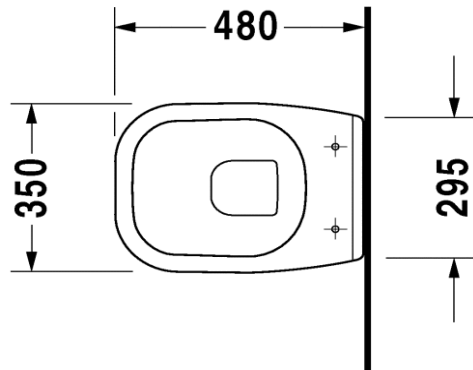


# DURAVIT D-Code

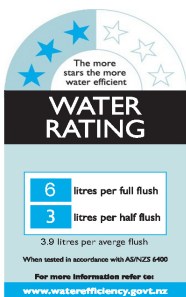
Duravit D-Code compact wall mounted toilet pan  
(Requires soft close seat 067.39 or standard seat 067.31)

2211.09



5 Year warranty (Vitreous China)

WELS Rating: 3 Star - 6/3 L



Max. Operating Pressure: 500Kpa.

Min. Operating Pressure: 50Kpa.

*Pipework must be flushed before installation*

*Please install as per manufacturers instructions in the box*

Due to our policy of continuous product development, the design and specification shown are subject to change without notice.

Please confirm all particulars with your sales consultant prior to purchase.